

BFVTD6BL
Freestanding air-vented
tumble dryer

INSTRUCTION MANUAL



BFVTD6BL

Freestanding air-vented tumble dryer



NOTE: This User Instruction Manual contains important information, including safety & installation points, which will enable you to get the most out of your appliance. Please keep it in a safe place so that it is easily available for future reference.

JW 05/06/13


Contents

Environmental note	3
Important safety information	4 – 6
Specifications	7 – 9
Product dimensions	7
Product specifications	7
Electrical details	7
Control panel	8
Drying selection knob	9
Appliance features	9
Selecting a drying program	10 - 13
Automatically controlled drying	10
Time controlled drying	10
Optional functions	11
- Delay start	11
- Quick	11
- Delicate	11
Start/Pause button	11
Neon indicator lights	12
At the end of a drying cycle	12
Cancelling a program	12
Changing a program	13
Care labels	13
Starting a drying program	13
Drying program guidance	14 - 15
Drying program table	15
Laundry weights	15
Maintenance and cleaning	16 - 17
In daily use	16
Control panel and tumble dryer cabinet	16
The tumble dryer drum	16
Door	16
The filter	17
Installation	18 - 21
Positioning	19
Installing the vent hose	19 - 20
Power supply	20 - 21
Troubleshooting	21 – 22
Technical data	23
Contact details	27

Environmental note

Note: Before discarding an old appliance, switch off and disconnect it from the power supply. Cut off and render any plug useless. Cut the cable off directly behind the appliance to prevent misuse. This should be undertaken by a competent person. Disable the door lock to make sure that children cannot get stuck inside the appliance.

This appliance is marked according to the European directive 2002/96/EC on Waste electrical and Electronic Equipment (WEEE). By ensuring this product is disposed of correctly, you will help prevent potential negative consequences for the environment and human health, which could otherwise be caused by inappropriate waste handling of this product.

The symbol  on the product, or on the documents accompanying the product, indicates that this appliance may not be treated as household waste. Instead it shall be handed over to the applicable collection point for the recycling of electrical and electronic equipment.

Disposal must be carried out in accordance with local environmental regulations for waste disposal.

For more detailed information about treatment, recovery and recycling of this product, please contact your local city office, your household waste disposal service or the shop where you purchased the product.



- The packaging materials that Baumatic uses are environmentally friendly and can be recycled.
- Please discard all packaging material with due regard for the environment.

Important safety information



Your safety is of the utmost importance to us. Please make sure that you read this instruction booklet **before** attempting to install or use the appliance. If you are unsure of any of the information contained in this booklet, please contact the Customer Services Department.

General Safety

- Repairs to your appliance must only be carried out by a Baumatic engineer or one of its authorised service agents. Any attempt by an inexperienced person to repair the appliance, could result in injury or damage to your tumble dryer.
- If you notice that the special mains cable is damaged. **The appliance must not be used.** The same applies if you notice that the worktop, control panel or base area is damaged. As this could allow access to the internal components of the machine.
- The appliance should be turned off and isolated from the mains supply, before either cleaning or maintenance work is attempted.
- The mains cable must not be used to pull the plug out of the electrical socket.
- The machine should not be sprayed with water.
- The window of the porthole door may become hot during use.
- The machine should be allowed to cool before cleaning the filter.
- It is possible for small animals to chew either mains cables or water hoses, which could cause an electric shock hazard.
- If you stop the tumble dryer before the end of a drying cycle ensure all items are quickly spread out so that heat is dissipated. Ideally you should follow the “cancelling a program” instructions.

Installation

- The installation instructions contained within this user manual should be followed.
- It is obligatory for the completed installation to comply with all relevant building regulations.
- Adequate venting must be provided to avoid back flow of gases into the room from appliances burning other fuels including open fires.
- Exhaust gas must not be discharged into a flue used for exhausting fumes from appliances burning gas or other fuels.
- Do not allow the venting hose (where applicable) or filter to become blocked.

During Use

- It is recommended that the appliance is turned off after the machine is used.
- This appliance is only designed to dry normal domestic washloads. If you use your tumble dryer in any other way or it is incorrectly used, then Baumatic accepts no liability for any damage that might be caused and any guarantee will be void.
- No attempt should be made to alter or modify the specifications of this appliance.
- You should not dry garments that have been in contact with flammable materials.
- Your tumble dryer should not be used for dry cleaning.
- Do not dry unwashed items in the tumble dryer.
- Do not allow fluff to accumulate around the tumble dryer.
- If you use either dyes or bleaching agents inside this machine, then you should consult with the manufacturer of these products to make sure they are suitable for use in your tumble dryer. Baumatic cannot be held responsible for any damage that may result.
- Fabric softeners should be used as specified in the manufacturer's instructions.

- Items soiled with substances such as cooking oil, acetone, alcohol, petrol, kerosene, spot removers, turpentine, waxes and wax removers should be washed in hot water with extra detergent before being dried.
- Remove all objects from pockets of clothes such as lighters and matches.
- **DO NOT** place items in the dryer if anything other than a water solution has been used in the cleaning process.
- **DO NOT** attempt to dry dripping wet items.

Child Safety

- The tumble dryer is not intended for use by persons with reduced mental, physical or sensory capabilities or lack of experience or knowledge, unless they have been given supervision and instructions concerning the use of the appliance by a person responsible for their safety.
- Children should be supervised to ensure they do not play with the appliance.
- It could be possible for a child or pet to gain access to the tumble dryer through the porthole door. Therefore please check the drum before using the appliance.
- Any packaging that is removed from the machine should be kept away from children.

Specifications

Appliance dimensions

Height: 850 mm
Width: 595 mm
Depth: 555 mm

Product specifications

- Capacity: 6 kg
- 15 drying programs

- Electronic control operation
- Time controlled drying, up to 90 minutes
- Delay start function
- Reverse tumble action
- 180° door opening
- Removable fluff filter
- Moisture sensor
- Galvanized drum
- Anti crease function
- Drying phase indicator
- Venting hose
- Adjustable feet
- Energy efficiency class: C

Electrical details

Rated voltage: 220 - 240 Vac 50 Hz
Electrical connection rating: 2.00 kW
Supply connection: 13A

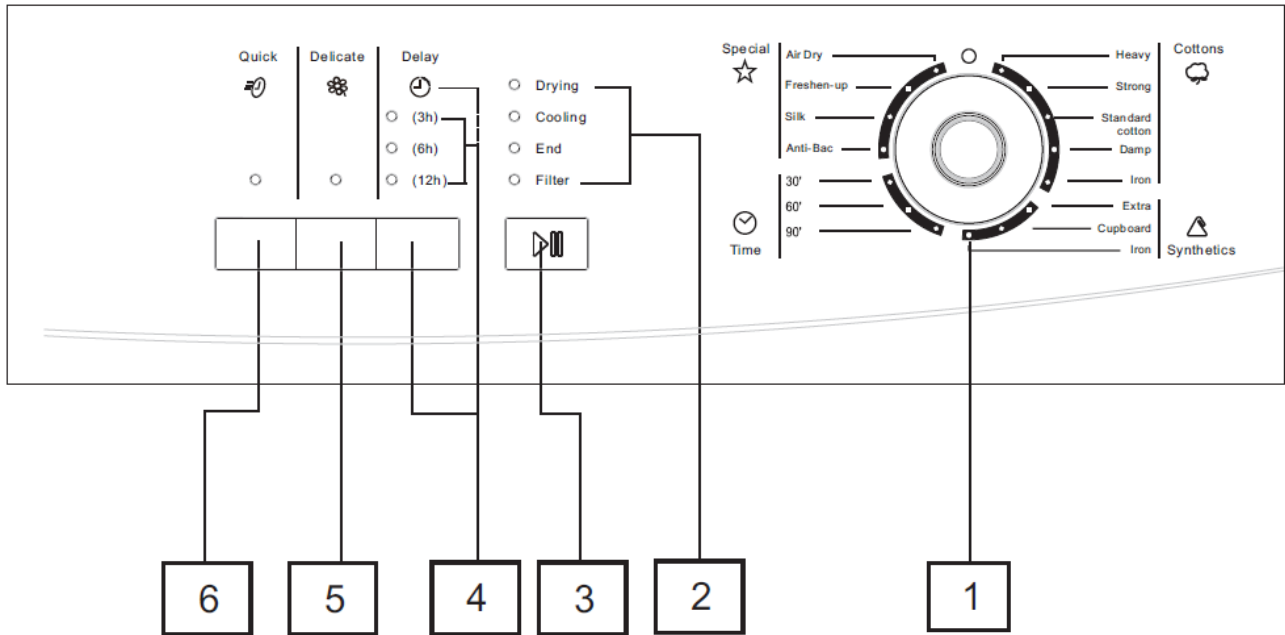
IMPORTANT: For future reference please record the following information which can be found on the rating plate and the date of purchase which can be found on your sales invoice. The rating plate of your dishwasher is located on the right hand side of the drop down door.

Model Number

Serial Number

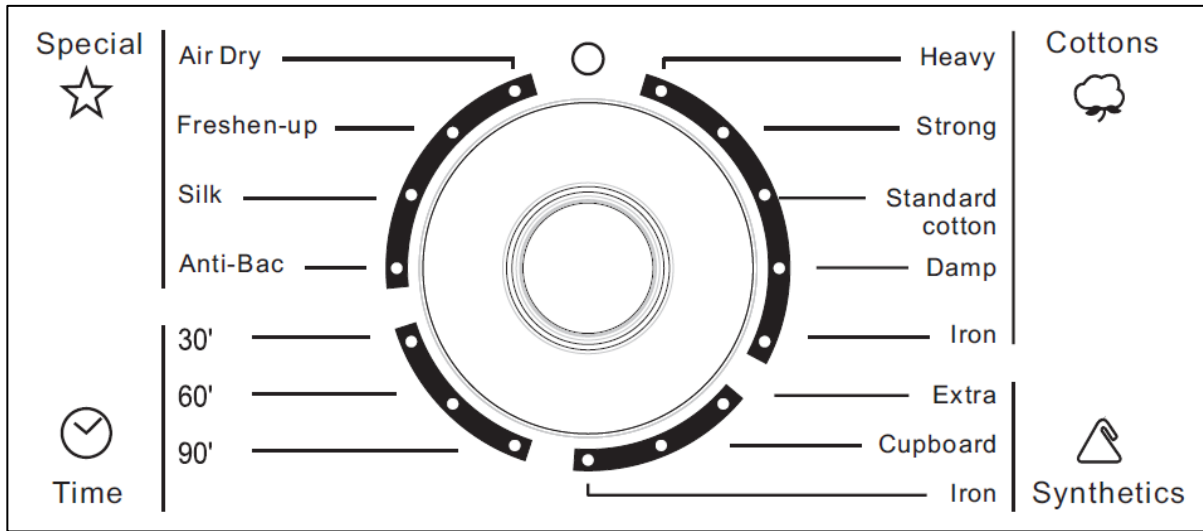
Date of Purchase

Control panel



1. Program selector dial
2. Sequence indicator lights
 - Drying
 - Cooling
 - End
 - Filter
3. Start / Pause button
4. Delay start button / indicator lights
5. Delicates button
6. Quick cycle button

Dryer selection knob

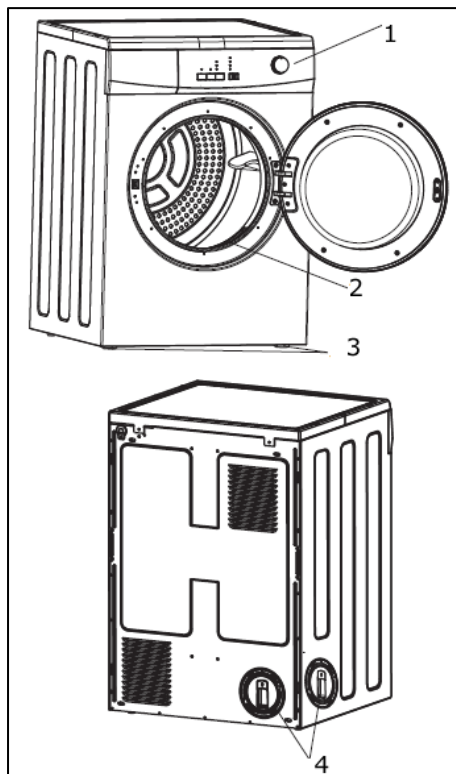


- Turning the selector dial **(1)** allows you to select the drying program according to your laundry.
- The selector dial is divided into four sections:
 - Cottons
 - Synthetics
 - Time
 - Special
- After you have selected your desired program you must press the start button **(3)** within 10 minutes or the appliance will return to standby mode.

Always turn the appliance off after use by turning the dial to "0".

Appliance features

1. Control panel
2. Filter
3. Adjustable feet
4. (Rear/side) vent outlet.



Selecting a drying program

Program suggestions

- Below is a list of functions which the dryer can perform which should help you select the most appropriate drying cycle for your needs:

Automatically controlled drying

- The appliance detects the moisture in the load and automatically adjusts the drying time accordingly for optimal drying. This function applies to the following:
 - Cottons (section)
 - Synthetics (section)
 - Anti-bacterial program (special)
 - Silk program (special)

Please see the "*drying program table*" for more information.

Time controlled drying

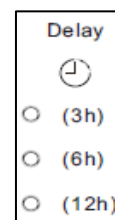
- You can use the "*time*" section of the of the selection dial to select an amount of time that you want to dry your laundry for. The following advice for drying times are guidance only and you should use your own discretion according to the type and weight of laundry you are drying:
 - 90 minutes: For heavy cotton loads
 - 60 minutes: For light cotton loads
 - 30 minutes: For synthetics loads
 - 30 minutes: For finishing off drying and/or slightly damp laundry

Optional functions

Depending on what program you have chosen, you are able to select additional functions. These must be selected after choosing your desired drying program, but before you press the start button. When the relevant button is pressed the corresponding LED light will illuminate. If the button is pressed again the LED light will go out and the function is then deselected.

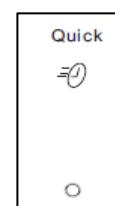
➤ Delay

You can delay the start of the drying program by 3, 6 or 12 hours. Press the delay start button to scroll through the available times. This function is not available when using the "Special" section of the of the selection dial.



➤ Quick

Using this option will reduce drying times by 3 – 5 minutes. This function is only available with the 'Heavy', 'Strong' and 'Normal' drying cycles.



➤ Delicate

This function is designed for delicate items and allows drying to be performed more gently and at lower temperatures. This function is only available with the 'Cottons' and 'Synthetics' drying programs.



Start / Pause button

- Once a drying program (and any additional optional function) has been selected, this button should be pressed to start the drying cycle.
- Pressing this button again during a drying cycle, or opening the door, will pause the operation. Once paused, you must press the start button again to resume the drying cycle.

Indicator lights

- **“Drying” light**

This light indicates that the appliance is in the drying phase.

- **“Cooling” light**

At the end of the drying phase there is a 5 – 10 minute cooling phase.

- **“End” of program light**

At the end of the cooling phase there is an anti-creasing phase*.

- **“Filter” light**

This light is to remind you that the program has finished and you should clean the filter**.

At the end of a drying cycle

* If the laundry is not removed after the cooling phase then the dryer will automatically enter an anti-creasing phase which will last up to 30 minutes.

** The filter light will be light for 10 minutes after the end of a program. After 10 minutes all lights on the control panel will go out.

IMPORTANT: YOU SHOULD CLEAN THE FILTER AFTER EACH USE.

Cancelling a program

If you need to cancel a drying program before it has completed the drying cycle then we recommend the following:

- Turn the selector dial to the off position (“O”) to cancel the current function.
- Turn the selector dial to the “Air Dry” program and press start **(3)**. This will enter the appliance into the cooling phase which should last 5 – 10 minutes.

This will allow the tumble dryer to cool and prevent a build up of heat inside the appliance.

Changing a program

To change a drying program which is in operation, you should first turn the selector dial to the off position ("O") to cancel the current function. You can then proceed to select a new function.

Care labels

- You may find the following symbols on the care labels of your garments. These indicate how to dry the item correctly.



Tumble drying safe



Normal drying (high temperature)



Delicate drying (low temperature)



Do not tumble dry

Starting a drying program

- Open the tumble dryer door.
- Load the clothes loosely into the drum. Items such as sheets should be loaded corner-first.
- Close the door and dry your hands thoroughly.
- Press the start button **(3)** and the drum will begin rotating.
- The tumble dryer will stop when the drying program has completed.

Drying program guidance

- Check the wash care labels of the garments that you want to dry, to make sure that they are suitable for drying in a tumble dryer.
- The **maximum** amount of clothing that can be dried in your appliance in a single drying cycle is **6kg**. If the tumble dryer is overloaded, then the drying performance will be affected and clothing may come out creased.
- If you have taken the clothes you want to dry out of a washing machine with an inadequate spin cycle, roll the clothes in a towel to remove the excess water.
- **IMPORTANT: Do not dry clothes that are dripping wet.**
- Only dry garments of the same fabric type in a single drying program. If heavy and light fabrics are dried in the same drying cycle, then you will get uneven drying performance.
- When drying larger garments such as sheets, it is advisable not to place more than two garments in the appliance at once. You should stop the dryer before the completion of a program to redistribute the load.
- Delicate items such as tights and stockings should be placed inside a pillowcase before drying.
- DO NOT dry clothes containing foam rubber (latex foam), shower caps, waterproof textiles, rubber backed articles and clothes or pillows fitted with foam rubber pads in the appliance.
- DO NOT dry one item at a time as the garment will roll up and increase the drying time.
- Close pillowcases and covers with fasteners to prevent smaller items getting tangled inside them.
- Fasten press studs, zips, hooks, tie belts, apron strings, etc.
- Avoid drying dark and light coloured fluffy items together as the fluff could transfer.

IMPORTANT: If the clothes become dry before the cycle has finished, the thermostat will automatically switch off the heater to prevent over-drying the garments. This will save energy although the drum will still rotate.

IMPORTANT: remove all metal objects such as hair clips, pins, coins, etc.

Drying program table

Selection dial section	Program	Max load	Description of laundry suggestion
Cottons	Heavy	6kg	Bathrobes, large towel, overalls, heavy jeans, etc.
	Strong	6kg	Medium towel, jeans, jumpers.
	Standard cotton	6kg	Shirts, T-shirts, cotton trousers, etc.
	Damp	6kg	Knitted items, cotton shirts, etc.
	Iron	6kg	Sheets, bed linen, table linen, starched laundry.
Synthetics	Extra	3kg	Synthetic sheets, bed linen, table linen, etc.
	Cupboard	3kg	General synthetic items.
	Iron	3kg	Synthetic fibre knitwear.
Time	30', 60', 90'	6kg	Multi-layered fabrics, bath towel, tea towel, etc.
Specials	Anti-bacterial	3kg	Higher temperature drying for underwear, etc.
	Silk	1.5kg	Gentle drying for silk items or similar.
	Freshen-up	3kg	For items which have been unused for a long time. Designed for lighter items such as underwear, shirts, etc.
	Air dry	2kg	Gently drying any fabrics.

NOTE: The "Standard Cotton" programme is suitable to dry normal wet cotton laundry and is the most efficient programme in terms of energy consumption for drying wet cotton laundry.

Laundry Weights

The below table is an approximate guide only.

Bathrobe	1200g	Tea cloth	150g
Napkin	100g	Night dress	200g
Quilt cover	700g	Underwear	100g
Sheet	500g	T-shirt	200g
Pillow case	200g	Work shirt	250g
Hand towel	250g	Blouse	150g

Maintenance and cleaning

In daily use

- The filter should be cleaned after each drying cycle.
- Leave the porthole door ajar for a short while after a drying cycle has completed. This should help to prevent stagnant smells and to protect the door seal.
- We suggest that you disconnect the appliance from your mains supply when it is not in use.

Control panel and tumble dryer cabinet.

IMPORTANT: Do not use any abrasive cleaner or household polish on either the control panel or operating parts.

- Wipe over the control panel and the external surface of the machine using a brand new damp cloth with warm water.

The tumble dryer drum

The drum of your tumble dryer is constructed from galvanized steel. However if there are objects that can rust placed inside the drum, then it is possible for the drum to become stained.

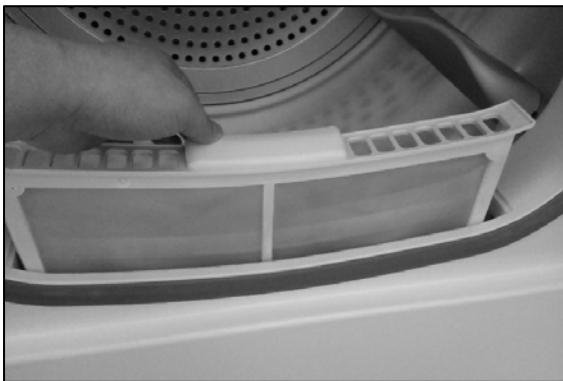
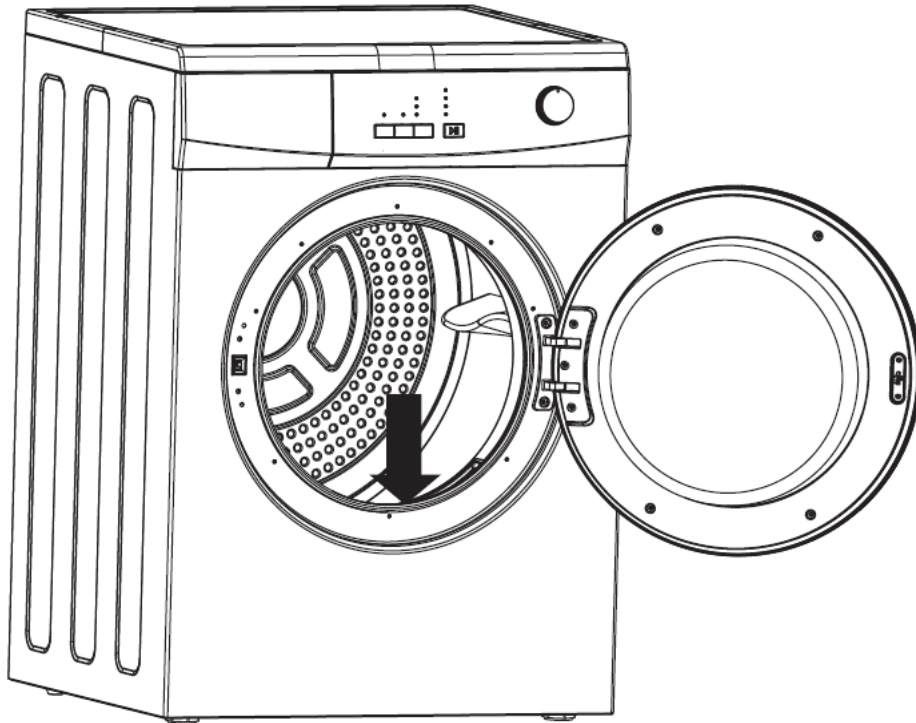
IMPORTANT: Do not use a descaling agent, iron/steel wool or scouring agents to clean the drum of your appliance.

Door

- You should regularly check to see if any deposits have formed around the door, or there are any foreign bodies in the rubber door gasket. This sits inside the opening of the porthole door.

The filter

- It is important to remove fluff from the filter after each drying cycle.
- You should disconnect the appliance from the mains supply before cleaning the filter.
- The filter is located inside the doorway rim at the bottom, as shown in the below diagram.



- To remove the filter, pull it upwards.
 - Remove any thread or fluff by hand or with a soft brush.
 - Slide the filter back into position.
-
- Wash the filter occasionally in a detergent solution and with a soft brush to remove all small particles. Do not use an abrasive cleaning product on the filter.

Installation



IMPORTANT: THIS INSTALLATION MUST BE COMPLETED BY A SUITABLY QUALIFIED PERSON. BAUMATIC ONLY SANCTION THE INSTALLATION GIVEN IN THIS INSTRUCTION MANUAL. YOU SHOULD KEEP THE TRANSIT PACKAGING, IN CASE YOU NEED TO TRANSPORT THE MACHINE IN THE FUTURE.

Installing the appliance

- Your dryer is provided with a vent hose which will extend to approximately 1.8 metres. It is strongly recommended that this is vented through a wall or window with the attachment provided.
- This appliance is NOT designed to be built-in, however, if required you should cut a hole for the vent hose (100 mm diameter) directly behind the appliance opposite the vent exhaust hole in order to lay the extraction hose without kinking it.

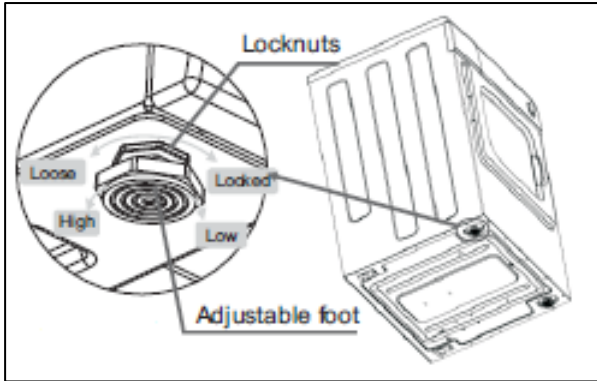
IMPORTANT: THIS APPLIANCE MUST NOT BE BUILT-IN.

- If the vent through the wall is to be positioned anywhere else other than behind the dryer, the vent hose should be located at floor level and through an adjacent side panel to a suitable position.
- ***IMPORTANT: The air vents at the back of the appliance must never be covered or blocked in any way as this will cause the dryer to overheat. You MUST leave a gap of at least 2cm at the back of the appliance.***

Positioning

The appliance should be positioned on a solid and flat surface. This will reduce vibration and noise. Large amounts of vibration can damage the appliance.

If required, you can use the adjustable feet to help level the appliance



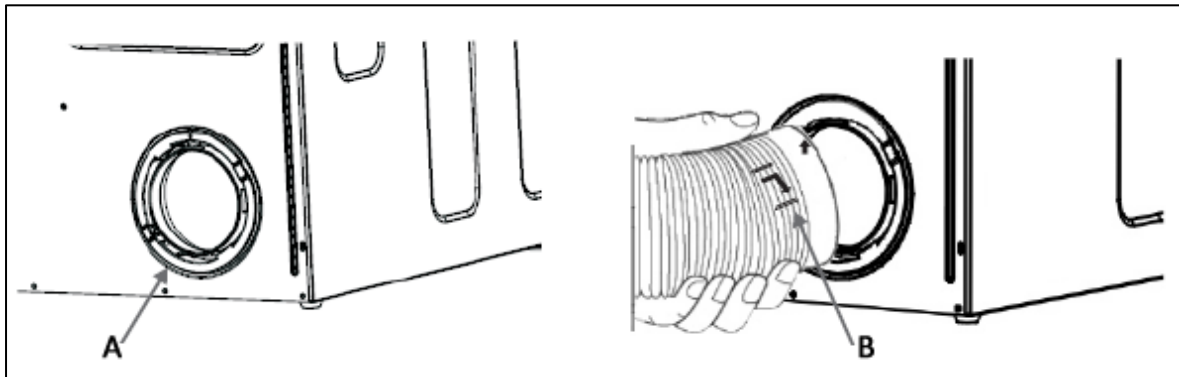
- Loosen the locking nut
- Turn the feet right to increase the height.
- Turn the feet left to decrease the height.
- Tighten the locking nut when you are happy that the dryer is level.

Installing the vent hose

It is very important that the hot moist air which is expelled from this appliance is extracted properly. Failing to do so could result in condensation in the area surrounding your appliance.

Generally, the best way to extract the dryers exhaust is to funnel the air outside using the vent hose provided. The hose can be positioned temporarily, for example, out of an open window; or it can be installed permanently through a fixed ventilation grille.

- Attach the ventilation hose to the back of the appliance by inserting the hose **(B)** into the exhaust-hole ring **(A)**.

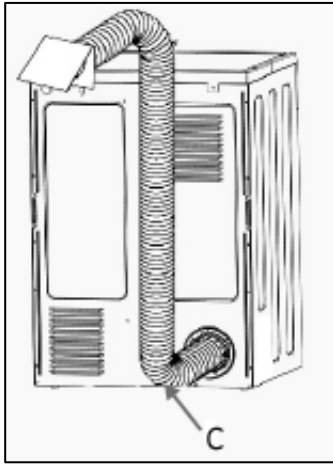


- Align the arrows of the hose **(B)** to the exhaust ring **(A)**, insert the hose, and then turn the hose clockwise, locking it into position **(B)**.
- Once connected to the dryer, you should then run the hose to your chosen outlet point.

- The hose should not contain more than two bends, and **you should not allow the hose to become blocked or kinked.**

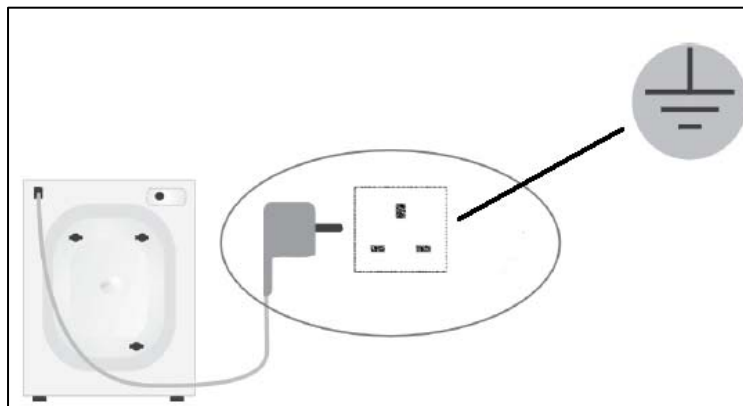
IMPORTANT: If outlet is far away from your appliance, thus making the hose long in length, then you should take steps to prevent water condensation from interfering with the appliance. See below for preventative steps.

- If the hose is long and the room temperature is low, then the moisture might condense inside the hose. This is an unavoidable natural phenomenon.



- To prevent this water from lying in the hose or flowing back into the tumble dryer, it is advisable to drill a small hole in the lowest point of the hose to drain the excess water **(C)**.
- The drilled hole should be approximately 3mm in diameter, and you should place a small container to catch the excess water.

Power supply



- ***IMPORTANT: The electrical socket or mains switch must still be accessible once the appliance is installed.***
- Consult the rating plate, located on the back of the appliance ***BEFORE*** making the electrical connections. Ensure that the voltage reaching the plug is the same as that on the rating plate.
- ***DO NOT REMOVE THE RATING PLATE AS THE INFORMATION ON IT IS IMPORTANT.***

- The moulded plug that is supplied with the appliance must be placed into an earthed and insulated socket.
- The special mains cable and plug assembly must only be replaced with a genuine part from the Baumatic Spares department or our appointed service agent.
- **IMPORTANT:** We do not recommend that this appliance is connected to an extension lead.

Troubleshooting

- If your tumble dryer appears to have a fault, please check the table below before calling the Baumatic Customer Care Helpline.

Problem	Possible cause	Possible solution
Unsatisfactory drying results	The filter is dirty.	Clean the filter.
	Wrong program selected.	Select a different program the next time you dry (see "Selecting a drying program" section).
	The venting hose has become blocked (sometimes a strong wind may cause back pressure).	Unblock the venting hose.
	Incorrect volume of laundry.	Observe recommended loading volumes.
Your tumble dryer is not working at all.	There is no power supply.	Connect to a power supply.
	The door is not closed properly.	Close the door before trying to operate your appliance again.
	Have you pressed the start/pause button?	Pressing the start/pause button again will resume the cycle if it has been paused.
	The mains cord is damaged.	You must contact the Customer Care Helpline to order a new cord.
Drying cycle lasts an unusually long time.	Load volume is too big.	Reduce load volume.
	Load is too wet.	Reduce the amount of water within the load by ensuring to wring-out or spin-dry the laundry before using the dryer.



IMPORTANT: If your appliance appears not to be operating correctly, then you should disconnect it from your mains supply and then contact Baumatic Customer Care on telephone number (0118) 933 6911.

DO NOT ATTEMPT TO REPAIR THE APPLIANCE YOURSELF.

Please note that if an engineer is asked to attend whilst the product is under guarantee and finds that the problem is not the result of an appliance fault, then you may be liable for the cost of the call out charge.

The appliance must be accessible for the engineer to perform any necessary repair. If your appliance is installed in such a way that an engineer is concerned that damage will be caused to the appliance or your kitchen, then they will not complete a repair.

This includes situations where appliances have been tiled in, sealed in with sealant, have wooden obstructions placed in front of the appliance - like plinths, or any installation other than the one specified by Baumatic Ltd. has been completed.

Please refer to the conditions of guarantee that appear on the warranty card that you receive with the appliance.

Technical Data

Manufacturer	Baumatic
Model Number	BFVTD6BL
Rated Capacity of Standard Cotton Programme	6 kg
Type of Dryer (air-vented, condenser or gas-fired)	Air-Vented
Energy Efficiency Class	C
Annual Energy Consumption (1)	425 kWh per year
Automatic /Non-automatic	Automatic
Energy Consumption of the Standard Cotton Programme at Full Load	3.32 kWh
Energy Consumption of the Standard Cotton Programme at Partial Load	2.13 kWh
Power Consumption of Off Mode	0.41W
Power Consumption of Left-On Mode	0.42w
Duration of 'Left-On Mode' (models with power management only)	N/A
Standard Cotton Programme (2)	Standard cotton (40°C/60°C)
Cycle duration of Standard Cotton Programme at Full Load (T_{dry})	133 mins
Cycle duration of Standard Cotton Programme at Partial Load ($T_{dry\frac{1}{2}}$)	87 mins
Noise level	68 dB
Installation Type	Freestanding

- 1) Energy consumption is based on 160 standard drying cycles for cotton Programmes at full and partial load, and the consumption of the low-power modes. The actual energy consumption will depend on how the appliance is used.
- 2) The 'standard cotton Programme' used at full and partial loads is the standard drying Programme to which the information in the label and fiche relates and is suitable for drying normal wet cotton laundry. This Programme is the most efficient in terms of energy consumption for cotton.



United Kingdom

Baumatic Ltd.,
Baumatic Buildings,
6 Bennet Road,
Reading, Berkshire
RG2 0QX
United Kingdom

Sales Telephone

(0118) 933 6900

Sales Fax

(0118) 931 0035

Customer Care Telephone

(0118) 933 6911

Customer Care Fax

(0118) 986 9124

Spares Telephone

(01235) 437244

Advice Line Telephone

(0118) 933 6933

E-mail:

sales@baumatic.co.uk
customercare@baumatic.co.uk
spares@baumatic.co.uk
technical@baumatic.co.uk

Website:

www.baumatic.co.uk

Facebook:

www.facebook.com/baumatic.uk

Republic of Ireland

Service Telephone

1-890 812 724

Spares Telephone

091 756 771

Czech Republic

Baumatic CR spol s.r.o.
Lípová 665
460 01 Liberec 4
Czech Republic

+420 483 577 200

www.baumatic.cz

Slovakia

Baumatic Slovakia, s.r.o.
Panenská 34
811 03 Bratislava - Staré Mesto
Slovakia

+421 255 640 618

www.baumatic.sk

Germany

Baumatic GmbH
Bachstr.10-12
D-32257 Bünde
Deutschland

+49 (0) 5223 99408 0

www.baumatic.de

Italy

Baumatic Italia S.R.L.
Via Galvani N.3
35011 Campodarsego (PD)

+3904 9920 2297

www.baumatic.it

Holland

Baumatic Benelux B.V.
Dukdalfweg 15d
1332 BH ALMERE
Nederland

+31(0)36 549 1553

www.baumatic.nl

