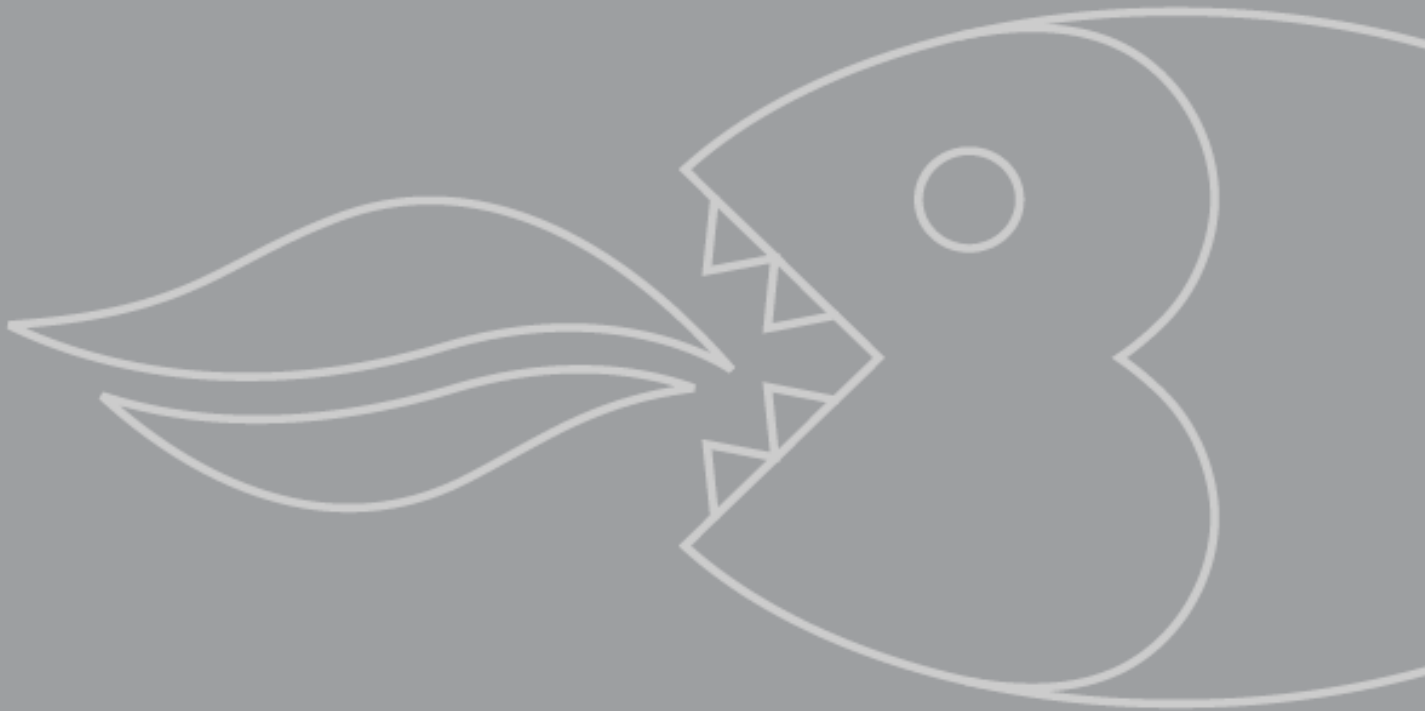


BMC455TS
46 cm High
compact combination
microwave oven

INSTRUCTION MANUAL



User Manual for your Baumatic

BMC455TS

46 cm High, compact combination
microwave oven




NOTE: This User Instruction Manual contains important information, including safety & installation points, which will enable you to get the most out of your appliance. Please keep it in a safe place so that it is easily available for future reference; for you or any person not familiar with the operation of the appliance.

Contents

Environmental note	4
Important safety information	5 – 9
Specifications	10–12
Product and aperture dimensions	10
Product specifications	10-11
Standard accessories	11
Electrical details	11
Control panel	12
Using your microwave oven	13–18
Functions	13
Turning the appliance on	14
Initial set up	14-15
Setting the clock	15
The oven light	16
The safety lock	16-17
Changing the operating language	17
Before first use	17-18
Timer functions	18-22
Setting the minute minder	18
Setting the cooking time	19-20
Setting the end of cooking time	20-21
Setting the delayed cooking time	21-22
Selecting a cooking function	22-33
Quick start	22
Setting the temperature	22-23
Residual heat	23
Cooking table	23
Using the microwave function	24
Using the microwave and grill function	24-25
Using the microwave and fan oven function	25-26
Defrost by time	26
Defrost by weight	26-27
Maximum defrost weights	27
Defrost table	27
Auto recipes	28-29
Saving a personalised recipe	29
Deleting a personalised recipe	29-30
Microwave cooking guidelines	30–31
Materials you can use in a microwave oven	31-32
Materials you cannot use for microwave cooking	32
Utensils table	32-33
Cleaning and maintenance	33-34
The appliance exterior	33
The appliance interior	33
Turntable and turntable support	33-34
General cleaning advice	34
Installation	35-40
Electrical connection	35-36
Aperture and ventilation requirements	37-40
Fixing the appliance into the housing unit	40
Troubleshooting	40-42
Baumatic consumables	43
Contact details	44

This appliance is marked according to the European directive 2002/96/EC on Waste electrical and Electronic Equipment (WEEE). By ensuring this product is disposed of correctly, you will help prevent potential negative consequences for the environment and human health, which could otherwise be caused by inappropriate waste handling of this product.

The symbol  on the product, or on the documents accompanying the product, indicates that this appliance may not be treated as household waste. Instead it shall be handed over to the applicable collection point for the recycling of electrical and electronic equipment.

Disposal must be carried out in accordance with local environmental regulations for waste disposal.

For more detailed information about treatment, recovery and recycling of this product, please contact your local city office, your household waste disposal service or the shop where you purchased the product.



- The packaging materials that Baumatic uses are environmentally friendly and can be recycled.
- Please discard all packaging material with due regard for the environment.

IMPORTANT SAFETY INFORMATION



Your safety is of the utmost importance to Baumatic. Please make sure that you read this instruction booklet **before** attempting to install or use the appliance. If you are unsure of any of the information contained in this booklet, please contact the Baumatic Customer Care Department.

General Information

- This appliance is designed for domestic household use. It can **NOT** be used as a freestanding microwave and must be built in to a standard kitchen cabinet or housing unit (see the section entitled "Installation").
- You should only operate the appliance when the turntable and turntable support are in position.
- You should only use ovenware that is suitable for being used in a microwave.
- To prevent corrosion occurring due to moisture/condensation, the cavity and the door of the microwave should be wiped dry after each use of the appliance.
- The appliance must not be left unattended if you are heating or cooking food in containers that are made of paper, plastic or other flammable materials. If left unattended, they could pose a **fire hazard**.
- If you notice smoke coming from the appliance, you should keep the door of the microwave closed and then disconnect it from your mains supply. **DO NOT** use your microwave oven, if you think it is not operating correctly.

Installation

- **IMPORTANT:** *Only the built in/built under installation sanctioned by Baumatic and outlined in this manual should be followed.*
- **Do not** attempt to use your appliance outdoors or any place where it is likely to come into contact with the elements.

- **IMPORTANT:** *The adjacent furniture or housing and all materials used in the installation **must** be able to withstand a minimum temperature of 85°C above the ambient temperature of the room it is located in, whilst in use.*
- *Do not attempt to use your appliance outdoors or any place where it is likely to come into contact with the elements.*
- Certain types of vinyl or laminate kitchen furniture are particularly prone to heat damage or discolouration at temperatures below the guidelines given above.
- Any damage caused by the appliance being installed in contravention of this temperature limit, or by placing adjacent cabinet materials closer than 4mm to the appliance, **will be the liability of the owner.**
- For use in **leisure accommodation vehicles**, please refer to the appropriate information given in the installation instructions for this appliance.
- The use of this appliance for any other purpose or in any other environment without the express agreement of Baumatic Ltd. will invalidate any warranty or liability claim.
- Your new appliance is guaranteed against electrical or mechanical defects, subject to certain exclusions that are noted in Baumatic's Conditions Of Guarantee. The foregoing does not affect your statutory rights.

Service

- Your microwave complies with all relevant safety standards. In order for it to continue to operate safely, **only an engineer that is approved by the Baumatic Customer Care Department should work on the appliance.**
- **IMPORTANT:** *It is dangerous for a non qualified person to work on the appliance, in particular if they remove the cover that provides protection against exposure to microwave energy.*
- If you notice that the door seal, door surfaces, power cord and plug are damaged. You should stop using the appliance, disconnect it from the mains supply and contact the Baumatic Customer Care Department.
- Only genuine Baumatic spare parts should be fitted to your appliance. These can be obtained from the Baumatic Spares Department.

Warning and safety instructions

- This appliance complies with all current European safety legislation. Baumatic do wish to emphasise that this compliance does not remove the fact that the appliance surfaces ***will become hot during use and retain heat after operation.***
- ***DO NOT*** place anything between the door and the door frame.
- ***DO NOT*** store anything that is flammable inside of the microwave. When it is switched on, the items could catch fire.
- ***DO NOT*** switch the appliance on if there is no food or liquid inside of the microwave. If you run the microwave whilst it is empty, there is a chance that it will overload.
- The door seals and the door surfaces should ALWAYS be kept clean and free from debris.

Child Safety

- Baumatic strongly recommend that babies and young children are prevented from being near to the appliance and not allowed to touch the appliance ***at any time.***
- If it is necessary for younger family members to be in the kitchen, please ensure that they are kept under close supervision at all times.
- ***IMPORTANT:*** *This appliance should only be operated by adults. You SHOULD NOT allow young children to use the microwave without supervision. Older children should only operate the appliance if they have been thoroughly instructed on how to use the microwave and the consequences of improper usage.*

General Safety

- ***Do not*** allow electrical fittings or cables to come into contact with areas on the appliance that get hot.
- ***Do not*** use the appliance to heat the room it is located in.
- ***Do not*** use the appliance to dry paper, textiles or animals.
- ***Do not*** install the appliance next to curtains or soft furnishings.
- ***Do not*** use the appliance to heat unopened bottles or cans etc.

- **Do not** use corrosive chemicals or vapours in this appliance. This oven is especially designed to heat. It is not designed for industrial or laboratory use.
- **Do not** heat cooking oil or liquid containing alcohol, as there is the chance of spontaneous combustion.
- **Do not** boil eggs or similar foods in their shells, otherwise they may burst. It is possible to poach eggs in your microwave, providing you prick the yolks first.
- **Do not** attempt to lift or move cooking appliances by using the oven door, as this may cause damage to the appliance or result in injury to the person lifting the appliance.

Cleaning

- Cleaning of the oven should be carried out on a regular basis.
- Great care should be taken whilst using this appliance and when following the cleaning procedure.
- **IMPORTANT:** *The appliance must be disconnected from the mains before following the cleaning procedure.*

Installation



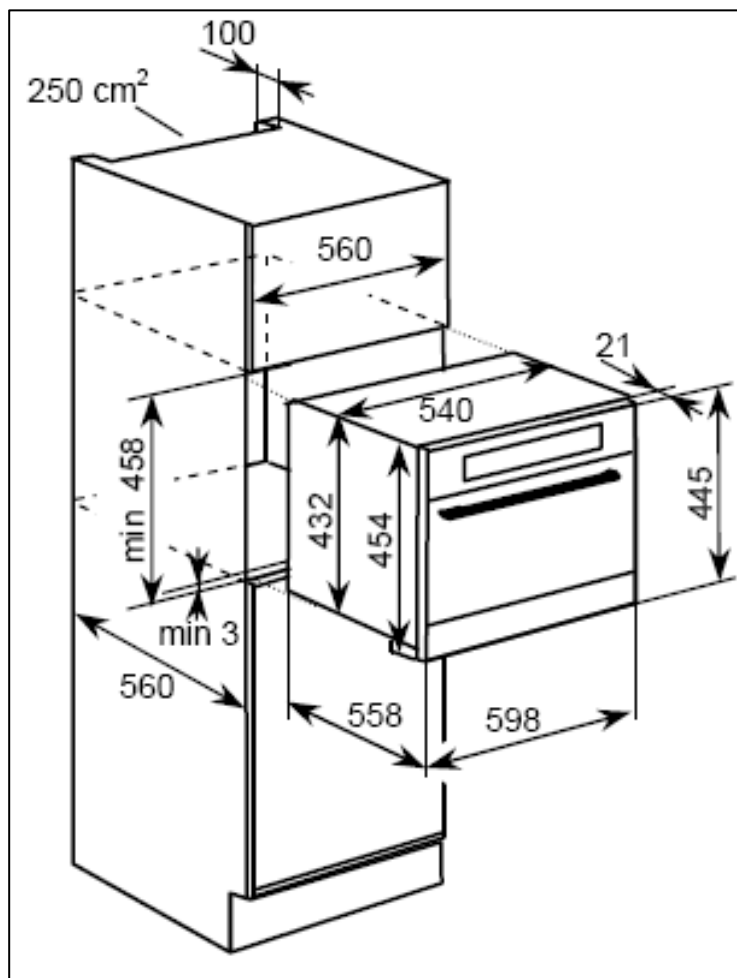
This appliance must be correctly installed by a suitably qualified person, strictly in accordance with the manufacturer's instructions.

- ***Baumatic Ltd. declines any responsibility for injury or damage, to person or property, as a result of improper use or installation of this appliance.***
- Heat, steam and moisture will be created during use of the appliance, take care to avoid injury and ensure that the room is adequately ventilated. If the appliance is going to be used for prolonged periods of time, then additional ventilation may be required.
- Please consult with your qualified installer if you are in any doubt about the amount of ventilation that you will require.

Declaration of conformity

- **CE:** Appliance conforming to the European directives 89/336/EEC, 93/68/EEC, 73/23/EEC and subsequent revisions and "RoHS" directive 2002/95/CE.*
- The manufacturer declares that the oven is built using certified materials and requires the appliance to be installed in accordance with the standards currently in force. This appliance must be used by a trained person for domestic purposes only.
- * The RoHS directive stands for "the restriction of the use of certain hazardous substances in electrical and electronic equipment". This directive bans the placing on the EU market of new electrical and electronic equipment containing more than the agreed levels of lead, cadmium, mercury, hexavalent chromium, polybrominated biphenyl (PBB) and polybrominated diphenyl ether (PBDE) flame retardants.

Specifications



Product dimensions

Height: 454 mm
Width: 598 mm
Depth: 558 mm

Aperture dimensions*

Height: 458 mm MIN
Width: 560 mm
Depth: 560 mm

** Please refer to the installation instructions for more detailed information about the size of aperture required.*

Product specifications

- **7 cooking functions:**
 - Microwave
 - Microwave + grill
 - Microwave + fan oven
 - Fan oven
 - Grill
 - Grill + fan
 - Fan oven + grill
- 6 power levels
- 60 preset recipes + 100 personal recipes

- Automatic recipes setting
- Defrost by weight and time
- LCD full programmer with temperature and function display
- Touch control operation
- Safety lock
- Stainless steel interior
- Front opening double-glazed door
- Internal light
- Audible signal at the end of cooking

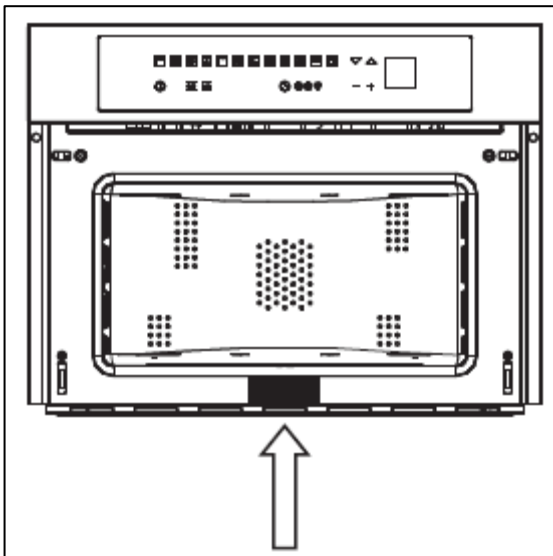
- Capacity: 34 litres
- Turntable diameter: 320 mm
- Microwave output: 900 W
- Grill output: 1500 W
- Hot air output: 1500 W

Standard accessories

- Safety shelf
- Round grill rack

Electrical details

Rated Voltage: 220 – 240 Vac 50 Hz
Fuse Rating: 16 AMP
Electrical Connection Rating: 3.20 kW



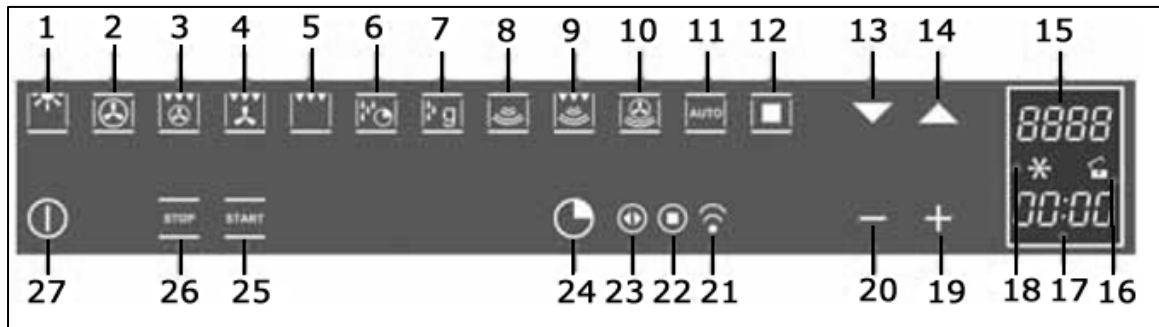
For future reference please record the following information which can be found on the rating plate and the date of purchase which can be found on your sales invoice. The rating plate for your oven can be located by opening the microwave oven door and looking on the bottom of the chassis.

Model Number

Serial Number

Date of Purchase

Control Panel



- 1) Light control button
- 2) Fan oven selection button
- 3) Fan oven and grill selection button
- 4) Grill and fan selection button
- 5) Grill selection button
- 6) Defrost by time selection button
- 7) Defrost by weight selection button
- 8) Microwave selection button
- 9) Microwave and grill selection button
- 10) Microwave and fan oven selection button
- 11) Auto recipes selection button
- 12) Confirm button
- 13) Decrease button
- 14) Increase button
- 15) Temperature display
- 16) Safety lock icon
- 17) Time display
- 18) Oven in use symbol
- 19) Plus button
- 20) Minus button
- 21) Minute minder icon
- 22) End of cooking icon
- 23) Cooking time icon
- 24) Timer button
- 25) Start button
- 26) Stop button
- 27) ON/OFF button

Using your microwave oven

WARNING: *The accessible surface may be hot during operation and for a period of time afterwards.*

Functions:



Light: The oven light automatically turns on when using the microwave function however is manually controlled in other functions in the interests of saving energy.



Fan oven: This function uses the circular element while the heat is distributed by the fan. This results in a fast and more economical cooking process. You are able to cook foods simultaneously on different shelves without the transmission of smells and tastes from one dish onto another.



Fan oven and grill: This function allows you to grill large quantities of food on different levels as heat is provided by the grill and circular elements and distributed by the fan.



Grill and fan: Use this function to roast meats evenly and at the same time give the meat a brown crust.



Grill: The grill can be used for grilling and browning foods. Food should be placed in the 2nd or 3rd shelf level from the bottom and the grill should be preheated for at least 2 minutes before food is placed in the cavity.



Defrost by time: This function can be used to defrost food for a programmed length of time.



Defrost by weight: This function can be used to defrost food according to its weight.



Microwave: Use the microwave function to cook and reheat vegetables, potatoes, rice, fish and meat.



Microwave and grill: This function allows quick cooking and browning as the microwave cooks the food while the grill roasts.



Microwave and fan oven: Use this function to roast food quickly.



Auto recipes: Selecting this function will allow you access to the preset recipes.

Turning the appliance on

- Press the ON/OFF button **(27)** once to turn the microwave on. You are able to turn the oven light on and off and set the minute minder function without turning the appliance on, however for everything else you need to turn it on.
- A cooking function must be selected within 1 minute of turning the microwave on otherwise it will automatically turn off again.
- Press the ON/OFF button **(27)** once again to turn the microwave back off manually.



Initial set up



- When the microwave is connected to the power supply for the first time, the display will allow you to select the required operating language. Use the increase **(14)** and decrease **(13)** buttons to scroll through the available languages.



- When the desired language is highlighted, press the confirm button **(12)**. After this, the language choice will remain fixed even when power to the machine is cut.



- After setting the operating language, the microwave will enter demonstration mode. In this mode, the microwave elements are not powered and the control panel is inactive.

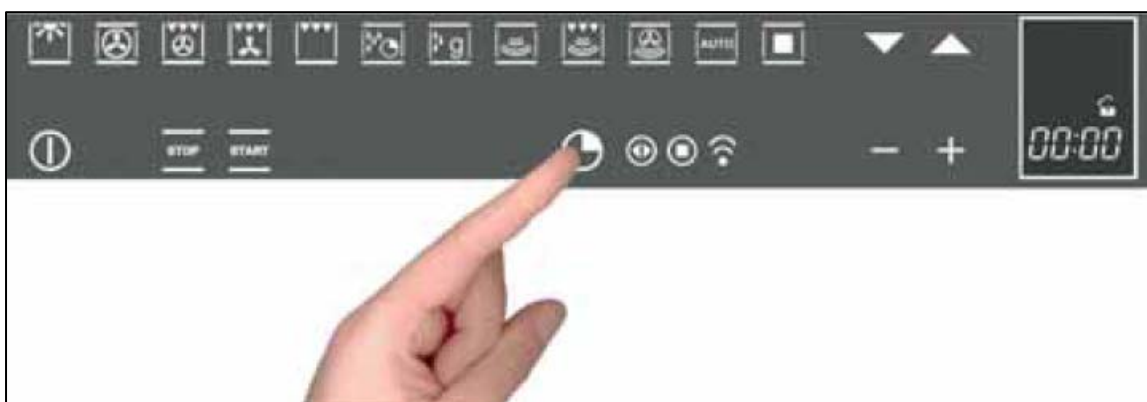
- To disable the demonstration mode, press and hold the light control button **(1)** for about 5 seconds. The appliance will then be ready for use and you can proceed to set the time of day.



- The microwave will only enter demonstration mode after the first start up and after a power failure.

Setting the clock

- To set the time of day, press and hold the timer button **(24)** for about 3 seconds. The ":" will flash to indicate that the appliance has entered the time setting mode.



- Use the plus **(19)** and minus **(20)** buttons to set the current time of day. When the correct time is displayed, release all buttons and after a few seconds the ":" will stop flashing and the time will be set.



The oven light

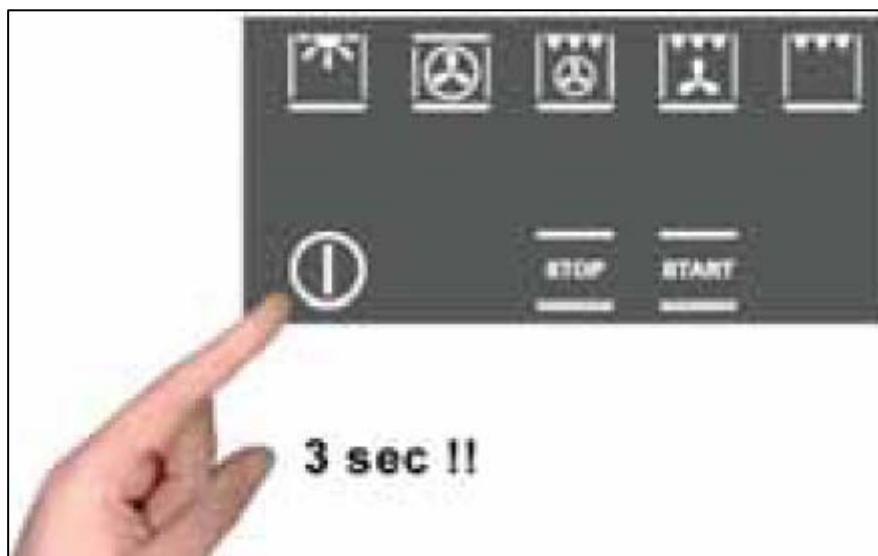
- You can turn the oven light on and off manually, even if a cooking function has not been selected.
- To turn the oven light on, press the light control button **(1)** once. Repeat this action again to turn the oven light back off.



- The oven light automatically turns on when the oven is heating. The light will remain on for 3 minutes after the set temperature is reached. After this time, the light will turn itself off in order to save energy.
- If you want to check the food that you are cooking, you can turn the light on and off manually.
- The light will automatically turn on when the oven door is opened.

The safety lock

- You are able to lock the control panel to prevent unintentional use by other persons such as children.
- To activate the safety lock, press and hold the ON/OFF button **(27)** for about 3 seconds.



- All buttons on the control panel will be locked and the safety lock CLOSED icon **(16)** will light on the display.



- To deactivate the safety lock, press and hold the ON/OFF button **(27)** for about 3 seconds again.
- All buttons on the control panel will be unlocked for use. The safety lock OPEN icon **(16)** will light on the display.



Changing the operating language

- It is possible to change the operating language when the microwave oven is turned off.
- To view the choice of languages, press the light control button **(1)** and the plus button **(19)** simultaneously.
- You can then use the increase **(14)** and decrease **(13)** buttons to choose an operating language.
- When the desired language is highlighted, press the confirm button **(12)** to select.

Before first use

- To remove any residue from the oven that may have been left from the manufacturing process, you should place a cup that is half filled with water in the microwave.
- Set the microwave on its highest power level for 2 minutes.
- The oven cavity and outside of the appliance should be cleaned with warm soapy water, using either a sponge or soft cloth. No

abrasive cleaners should be used. The appliance should be thoroughly dried afterwards.

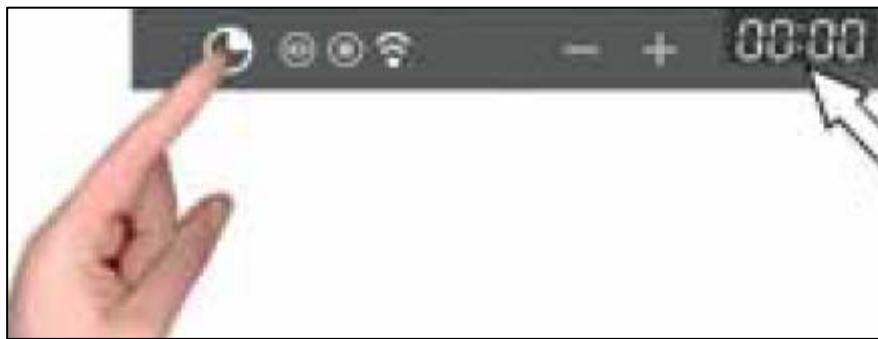
The timer functions

Setting the minute minder

- The minder minute can be programmed with the oven turned on for cooking purposes or with the oven turned off for other kitchen tasks.



- If the oven is turned off, press the timer button **(24)** once to enter the minute minder mode. If the oven is turned on, press the timer button **(24)** 3 times so the minute minder icon **(21)** is lit.



- The ":" will flash to indicate that the appliance has entered the minute minder setting mode.

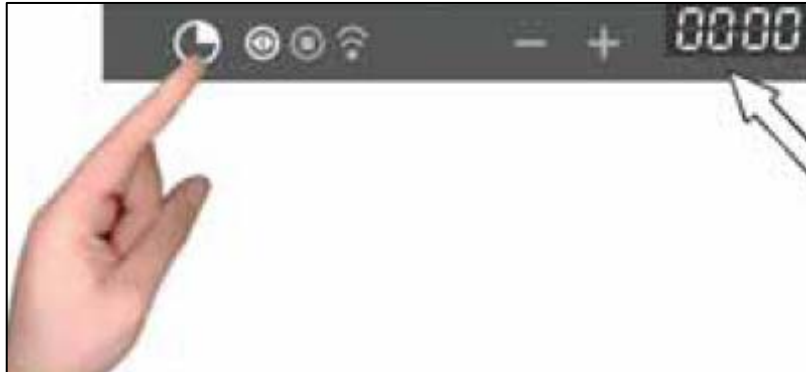


- Use the plus **(19)** and minus **(20)** buttons to set the required countdown time in minutes. The maximum countdown time that can be set is 12 hours.
- When the required countdown time is shown on the timer display **(17)** the countdown will begin immediately.
- After the set time has passed an alarm will sound and the ":" will flash. Press any button on the control panel to cancel the audible signal.
- If you wish you turn the minute minder off before the set time has elapsed, you can use the plus **(19)** and minus **(20)** buttons again to change the countdown time to "00:00".

Setting the cooking time

This timer function enables you to input the length of cooking time. After this time has elapsed, the oven will automatically stop heating.

- This timer feature can only be used on the fan oven, fan oven and grill, grill and fan and grill oven functions.
- Press the timer button **(24)** once so the cooking time icon **(23)** is lit.



- The ":" will flash to indicate that you can program the length of cooking time required.



- Use the plus **(19)** and minus **(20)** buttons to program the correct cooking time. The maximum time that can be set is 10 hours.

When the required time is displayed, release all buttons and the display will flash the current time again. The cooking time icon **(23)** will be lit and the countdown will begin immediately.

- After the set time has elapsed, an alarm will sound and the oven will stop heating automatically. The display will show "Program finished remove the dish" to prompt you to remove your cooked food from the oven.
- Press any button on the control panel or open the door to silence the acoustic signal.
- After 1 minute, the oven will switch itself off unless another cooking function is set.



- If you wish you turn the cooking time function off before the set time has elapsed, you can use the plus **(19)** and minus **(20)** buttons to change the countdown time to "00:00" or turn the oven off using the ON/OFF button **(27)**.

Setting the end of cooking time

This timer function works the same way as the cooking time function however instead of programming the length of cooking time, you can set the time of day that you wish the oven to stop heating at.

- This timer feature can only be used on the fan oven, fan oven and grill, grill and fan and grill oven functions.



- Press the timer button **(24)** twice so the end of cooking icon **(22)** is lit.



- The ":" will flash to indicate that you can program the time of day you wish the oven to stop heating at.



- Use the plus **(19)** and minus **(20)** buttons to program the required time of day for the cooking process to stop. When the correct time is displayed, release all buttons and the display will flash the current time again. The end of cooking icon **(22)** will be lit and the countdown will begin immediately.
- When the set time is reached, an alarm will sound and the oven will stop heating automatically. The display will show "Program finished remove the dish" to prompt you to remove your cooked food from the oven.
- Press any button on the control panel or open the door to silence the acoustic signal.
- After 1 minute, the oven will switch itself off unless another cooking function is set.



- If you wish to turn the end of cooking time function off before the set time is reached, you can use the plus **(19)** and minus **(20)** buttons to change the countdown time to "00:00" or turn the oven off using the ON/OFF button **(27)**.

Setting the delayed cooking time

This timer function allows you to program the length of cooking time and the time of day that you wish the oven to turn off at so that the oven turns on and off automatically according to your needs.

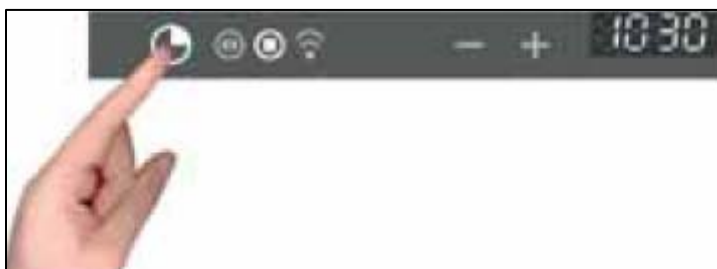
- This timer function can only be used on the fan oven, fan oven and grill, grill and fan and grill oven functions.



- Press the timer button **(24)** once so the cooking time icon **(23)** is lit.
- The ":" will flash to indicate that you can program the length of cooking time required.
- When the required cooking time is displayed, release all buttons. The ":" will stop flashing to show the cooking time has been set.



- Press the timer button **(24)** twice so the end of cooking icon **(22)** is lit.



- The display will show a proposed end of cooking time based on the length of cooking you have previously set.



- You can use the plus **(19)** and minus **(20)** buttons to change the end of cooking time for further in the future. The maximum time that can be set is 10 hours in the future.
- When the correct end of cooking time is shown on the display, release all buttons and the oven will go into standby mode with the oven light off until the oven is ready to turn on.
- The appliance will begin the cooking process automatically at the length of cooking time before the end of cooking time set.
- When the end of cooking time is reached, an alarm will sound and the oven will stop heating automatically. The display will

show "Program finished remove the dish" to prompt you to remove your cooked food from the oven.

- Press any button on the control panel or open the door to silence the acoustic signal.
- After 1 minute, the oven will switch itself off unless another cooking function is set.

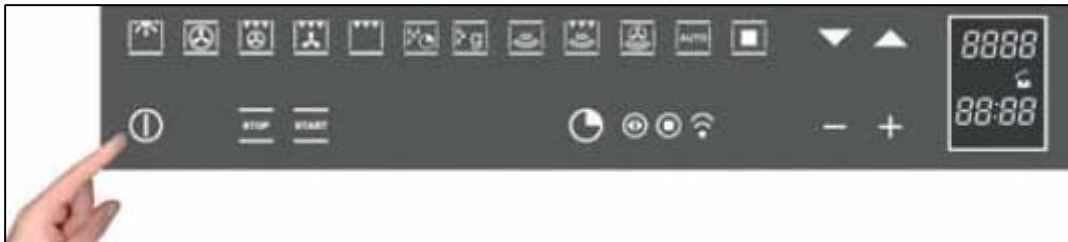


- If you wish to turn the timer function off before the set time is reached, you can use the plus **(19)** and minus **(20)** buttons to change the countdown time to "00:00" or turn the oven off using the ON/OFF button **(27)**.

Selecting a cooking function

Quick start

- Press the ON/OFF button **(27)** once to turn the appliance on.



- Select the most suitable oven function for the food that you want to cook by pressing the relevant selection button.
- The display will show a suggested temperature for the chosen cooking function which you can alter if required. If not, the oven will start automatically after a few seconds.

Setting the temperature

- You can change the temperature at any time before and during the cooking process.
- After selecting the required cooking function use the increase **(14)** and decrease **(13)** buttons to alter the default temperature.



- The temperature can be set from 50°C – 230°C. When the desired temperature is displayed, release all buttons and after a few seconds the new temperature will be set.

- During heating, the “°C” symbol will flash to indicate that the oven is heating up or cooling down to reach the selected temperature. When the set temperature is reached the symbol stops flashing and the oven beeps.

Residual heat

- After the appliance has been used, the display will show the internal temperature of the oven, even when it is no longer heating, until it falls to 50°C.
- Residual heat in the oven cavity can be used to keep foods warm or complete the cooking process gently as an energy saving method.
- ***IMPORTANT: Even when the internal temperature drops below 50°C it may still be hot enough to cause burns or other injuries.***

Cooking table

- The table below should be viewed as a guide only. Cooking times and temperatures may vary according to factors such as size, shape and quality of food as well as personal preference.

	Baking (bread/cakes)	Fish		Sausages	Beef/ Lamb	Pork	Chicken		Vegetables	
<i>Function</i>	Fan oven	Fan oven	Grill and fan	Grill	Fan oven	Fan oven	Grill	Fan oven	Grill	Grill and fan
<i>Temperature (°C)</i>	140-160	160-180	190	230	160-180	160-190	200-220	175-190	190-210	170-190
<i>Shelf level (from bottom)</i>	2	2-3	2-3	2-3	2	2	2-3	2	2	3
<i>Time (mins)</i>	10-40	45-60	60-70	14-18	120-160	90-120	50-60	60-70	40-50	40-50

Using the microwave function



- Turn the appliance on by pressing the ON/OFF button **(27)** once.



- Press the microwave selection button **(8)** to choose the microwave function.



- Use the increase **(14)** and decrease **(13)** buttons to adjust the default microwave power in 150W intervals. The maximum power level is 900W.



- You can then proceed to set the cooking time using the plus **(19)** and minus **(20)** buttons to increase or decrease the time in 5 second intervals. If you hold either of these buttons down for about 3 seconds, the scrolling speed will increase.



- When the desired settings are shown on the display, press the start button **(25)** to begin the cooking process. The time will count down on the display.
- **IMPORTANT: You must set a cooking time or the start button will not work and the display will show the time flashing.**
- At the end of the cooking time, a beep will signal the end of the program. Press any button on the control panel or open the door to silence the acoustic signal. After 1 minute the machine will turn itself off if no other function is selected.

Using the microwave and grill function



- Turn the appliance on by pressing the ON/OFF button **(27)** once.



- Press the microwave and grill selection button **(9)** to choose the microwave and grill function.



- Use the increase **(14)** and decrease **(13)** buttons to adjust the default microwave power in 150W intervals. The maximum power level is 450W. The grill temperature will be fixed at 200°C.



- You can then proceed to set the cooking time using the plus **(19)** and minus **(20)** buttons to increase or decrease the time in 5 second intervals. If you hold down either of these buttons for about 3 seconds, the scrolling speed will increase.



- When the desired settings are shown on the display, press the start button **(25)** to begin the cooking process. The time will count down on the display.
- **IMPORTANT: You must set a cooking time or the start button will not work and the display will show the time flashing.**
- At the end of the cooking time, a beep will signal the end of the program. Press any button on the control panel or open the door to silence the acoustic signal. After 1 minute, the machine will turn itself off if no other function is selected.

Using the microwave and fan oven function



- Turn the appliance on by pressing the ON/OFF button **(27)** once.



- Press the microwave and fan oven selection button **(10)** to choose the microwave and fan oven function.



- Use the increase **(14)** and decrease **(13)** buttons to adjust the default microwave power in 150W intervals. The maximum power level is 450W.



- Confirm the power level by pressing the confirm button **(12)**.
- The top display will change from showing the power value to a temperature value. Use the increase **(14)** and decrease **(13)** buttons again to set the temperature of the fan oven in 5°C intervals. The maximum temperature is 200°C.
- Confirm the temperature by pressing the confirm button **(12)**.



- You can then use the plus **(19)** and minus **(20)** buttons to set the required cooking time in 5 second intervals. If you hold down either of these buttons for about 3 seconds, the scrolling speed will increase.
- When the desired cooking time is displayed, press the confirm button **(12)** to set the time.



- When all the correct settings are made, press the start button **(25)** to begin the cooking process. The time will count down on the display.

- **IMPORTANT: You must set a cooking time or the start button will not work and the display will show the time flashing.**
- At the end of the cooking time, a beep will signal the end of the program. Press any button on the control panel or open the door to silence the acoustic signal. After 1 minute, the machine will turn itself off if no other function is selected.

Defrost by time



- Turn the appliance on by pressing the ON/OFF button **(27)** once.



- Press the defrost by time selection button **(6)** once to choose the defrost by time function. The appliance will automatically regulate the microwave power level to ensure the best possible defrost results.



- Use the plus **(19)** and minus **(20)** buttons to set the required defrost time in 5 second intervals. If you hold either of these buttons down for about 3 seconds, the scrolling speed will increase.



- When the desired defrosting time is shown on the display, press the start button **(25)** to begin the defrosting process. The countdown time will show on the display.

- **IMPORTANT: You must set a cooking time or the start button will not work and the display will show the time flashing.**
- At the end of the defrost time, a beep will signal the end of the program. Press any button on the control panel or open the door to silence the acoustic signal. After 1 minute, the machine will turn itself off if no other function is selected.

Defrost by weight



- Turn the appliance on by pressing the ON/OFF button **(27)** once.



- Press the defrost by weight selection button **(7)** once to choose the defrost by weight function. The appliance will automatically regulate the microwave power level to ensure the best possible results.



- o The display shows the weight of the food to be defrosted. You can use the plus **(19)** and minus **(20)** buttons to set the correct weight of the food.

The minimum weight is 50g. It is advised that you do not exceed the maximum weight for the food type you are defrosting (see table below) or there is a risk of the food not defrosting properly.



- o When the display shows the correct weight of the food to be defrosted, press the confirm button **(12)**. The appliance will program a defrost time automatically, based on the food weight that you have set.



- o Press the start button **(25)** and the defrosting program will begin. The countdown time will show on the display.

- o **IMPORTANT: The oven may prompt you to turn the food over during the program for best results.**

- o At the end of the defrost time, a beep will signal the end of the program. Press any button on the control panel or open the door to silence the acoustic signal. After 1 minute, the machine will turn itself off if no other function is selected.

Maximum defrost weights

<i>Food type</i>	<i>Maximum defrost weight (g)</i>
Chicken	1100
Roast	1100 – 1200
Fish	700
Bread	500 – 600
Vegetables	800 - 1000

Defrost table

- o The table below should be viewed as a guide only for approximate working times based on the weight set.
- o Please note that the defrost time required can be affected by factors such as size, shape and quality of the food as well as the starting temperature.

<i>Food type</i>	<i>Weight (g)</i>	<i>Defrost time (min)</i>	<i>Rest time (min)</i>
Bread	100-600	2-19	10-20
Vegetables	100-500	2-13	10-20
Meat	100-1000	2-43	20-30
Fish	100-700	2-40	20-30

Auto recipes



- Press the ON/OFF button **(27)** once to turn the appliance on.



- Press the auto recipes selection button **(11)** to access the auto recipes.
- The display will show 2 options of personal recipes or preset recipes. Preset recipes are already saved settings which you can access and use. Personal recipes are ones which have been created and saved by you.



- Use the increase **(14)** and decrease **(13)** buttons to scroll between the two options.



- When the desired category is highlighted, press the confirm button **(12)** to make your choice.
- You can then use the increase **(14)** and decrease **(13)** buttons to select the required type of dish. Press the confirm button **(12)** to make your choice.
- Follow the same process for the next two lists of options.
- The preset weight will appear on the display. You can either use the increase **(14)** and decrease **(13)** buttons to adjust the weight, or press the confirm button **(12)** to proceed.



- After confirming the weight, the display will summarise the selected recipe. The ":" symbol will flash to indicate that the cooking time can be adjusted if necessary. Use the plus **(19)** and minus **(20)** buttons to increase or decrease the cooking time.



- Press the start button **(25)** to begin the cooking process. The countdown time will show on the display.
- When the cooking time has elapsed, an alarm will sound and the display will show the message "Program finished remove the dish". Press any button on the control panel or open the door to silence the acoustic signal.

- The display will then prompt you to save the recipe if you require. After 1 minute, the machine will turn off if no other function is selected.
- **IMPORTANT: If you accidentally select the wrong option at any time and want to change the settings of your recipe, you can press the stop button (26) to cancel the current setting. This will allow you to start over from the beginning of the procedure.**

Saving a personalised recipe

- If you made changes to a preset recipe, you can save the new version for later use.
- When the amended preset recipe cooking process is complete, the display will ask if you would like to save the recipe.



- Press the plus button **(19)** to select YES and confirm your choice by pressing the confirm button **(12)**.



- The cooking time or weight which was set for the program will appear on the display. You can alter this time or weight using the plus **(19)** and minus **(20)** buttons. Confirm the setting by pressing the confirm button **(12)**.

- The display will show "Recipe saved POS.1/1" for example.
- After this, each time you access the personal recipes menu, you will find your recipes saved in there.
- If there is not enough memory to save a new recipe, the display will show "Insufficient memory, impossible to save". This means, that before you can save a new recipe you must delete an old one.

Deleting a personalised recipe



- Press the auto recipe selection button **(11)** to access the auto recipe options.



- Use the increase **(14)** and decrease **(13)** buttons to select the personal recipes option. Press the confirm button **(12)** to make your selection.

- All of your saved recipes will appear on the display. You can use the increase **(14)** and decrease **(13)** buttons to scroll through the menu. **Please note that recipe names are given by default.**



- When the recipe, which is to be deleted, is highlighted on the display, press the stop button **(26)**.



- The display will ask you to confirm your selection. The appliance is programmed to select NO by default to prevent accidental deleting of recipes. Press the plus **(19)** and minus **(20)** buttons simultaneously to choose YES.



- Confirm your choice by pressing the confirm button **(12)**. The display will inform you that the recipe has been deleted.

Microwave cooking guidelines

- You should not use ceramic or porcelain crockery, or porous earthenware inside of your microwave. These dishes could absorb moisture from the food whilst it is cooking, which could cause pressure to build up and shatter the dish.
- When heating food in a microwave, it will transmit the heat to the container that the food is in or on. You should **ALWAYS** use oven gloves when removing items from the microwave.
- You should make sure that you do not cook food for too long or at too high a power level. This could cause certain areas of the food to dry out or even ignite.
- Liquids and other foods must not be heated in sealed containers as they are liable to explode.
- If you are heating liquid in the microwave, then you must also place a teaspoon in the container. This will ensure that the liquid does not boil suddenly after being removed from the microwave cavity.



- This phenomenon is called “delayed boiling”, this means that a liquid can be close to boiling point, even if there is no steam coming off the liquid or the liquid is not bubbling. If the liquid container is even gently shaken, then the liquid can without warning boil over or even spurt. This could ***scald the end user***.
- If you are heating certain foods and any liquid, moisture will evaporate and condensation may occur. This does not indicate that the appliance is faulty and it can be particularly noticeable if the ambient temperature of the room is high.
- When heating baby food, the bottle or jar containing the food should ***NEVER*** have a top or lid on. After cooking, to ensure that the food has been heated uniformly, you should stir or shake the food. ***IMPORTANT: You must check the temperature of the food before feeding it to a child.***
- If the food you are cooking has a skin or peel (e.g. sausages, tomatoes, potatoes etc), then you should pierce the skin or peel with a fork. This will ensure that if steam is created during the heating process, it can escape and the food will not burst.
- ***IMPORTANT: Any condensation should be wiped up with a soft cloth as soon as you have finished using the microwave.***
- After the cooking time has completed, you should let the food stand for a few minutes. This is called “standing time” and will allow the heat generated by the microwave to spread evenly throughout the food.

Materials you can use for microwave cooking

<i>Material</i>	<i>Remarks</i>
Aluminium foil	To be used for shielding only. Small smooth pieces can be used to cover thin parts of meat or poultry to prevent overcooking. Arcing can occur if foil is too close to the cavity walls. The foil should be at least 2.5 cm away from the cavity walls.
Browning dish	Follow the manufacturer’s instructions. The bottom of the browning dish must be at least 5 mm thick above the turntable. Incorrect usage may cause the turntable to break.
Dinnerware	Microwave-safe only. Follow the manufacturer’s instructions. Do not use cracked or chipped dishes.
Glass jars	Always remove the lid. Use only to heat food until just warm. Most glass jars are not heat resistant and may break.
Glassware	Heat-resistant oven glassware only. Make sure there is no metallic trim. Do not use cracked or chipped dishes.

Oven cooking bags	Follow the manufacturer's instructions. Do not close with a metal tie. Make slits in the bag to allow steam to escape.
Paper plates and cups	Use for short-term cooking/warming only. Do not leave the oven unattended whilst cooking.
Paper towels	Use to cover food for reheating and absorbing fat. Use under supervision and for short-term cooking only.
Parchment paper	Use as a cover to prevent splattering or as a wrap for steaming
Plastic	Microwave-safe only. Follow the manufacturer's instructions. It should be labelled as "microwave safe". Some plastic containers soften as the food inside gets hot. "Boiling bags" and tightly closed plastic bags should be slit, pierced or vented, as described by the package.
Plastic wrap	Microwave-safe only. Use to cover food during cooking to retain moisture. Do not allow the plastic wrap to touch the food.
Thermometers	Microwave-safe only. Meat and candy thermometers.
Wax paper	Use as a cover to prevent splattering and to retain moisture.

Materials you cannot use for microwave cooking

<i>Material</i>	<i>Remarks</i>
Aluminium tray	May cause arcing. Transfer food into a microwave-safe dish.
Food carton with metal handle	May cause arcing. Transfer food into a microwave-safe dish.
Metal or metal-trimmed utensils	Metal shields the food from microwave energy. The metal trim may cause arcing.
Metal twist ties	May cause arcing and could cause a fire in the oven.
Paper bags	May cause a fire in the oven.
Plastic foam	Plastic foam may melt or contaminate the liquid inside when exposed to a high temperature.
Wood	Wood will dry out when used in the microwave oven and may split or crack.

Utensils table

<i>Cookware</i>	<i>Microwave</i>	<i>Grill</i>	<i>Combination*</i>
Heat-resistant glass	Yes	Yes	Yes
Non heat-resistant glass	No	No	No
Heat-resistant ceramics	Yes	Yes	Yes
Microwave-safe	Yes	No	No

plastic dish			
Kitchen paper	Yes	No	No
Metal tray	No	Yes	No
Metal rack	No	Yes	No
Aluminium foil and foil containers	No	Yes	No

* Combination mode applies to microwave + grill and microwave + fan oven modes.

Cleaning and maintenance



Cleaning operations must only be carried out when the oven is cool.

The appliance should be disconnected from your mains supply before commencing any cleaning process.

The appliance exterior

- You should wipe over the front of the appliance with a soft cloth and warm water mixed with a little washing up liquid.
- **DO NOT** use abrasive cleaners or sharp objects to clean the front surface of the microwave.

The appliance interior

- You should wipe over the inside of the appliance with a soft cloth and warm water mixed with a little washing up liquid.
- You should pay particular attention to the door seal and the surrounding area.
- **DO NOT** use abrasive cleaners or sharp objects to clean the inside of the microwave.

Turntable and turntable support

- The turntable and wire rack should be removed from the microwave for cleaning purposes after each use.
- Clean the turntable and wire rack in warm water mixed with a little washing up liquid.

General cleaning advice

- ***IMPORTANT:*** Any condensation should be wiped up with a soft cloth as soon as you have finished using the microwave.
- To remove odours from inside of the microwave, you should boil one cup of water mixed with several tablespoons of lemon juice inside of the cavity.
- The microwave should be thoroughly cleaned before it is operated for the first time and after each use. This will avoid residual food stuffs becoming baked on the oven cavity. After residues have been baked on several times, they are far more difficult to remove.
- ***Never*** clean the oven surfaces by steam cleaning.
- If you use any form of oven cleaner on your appliance, then you must check with the manufacturer of the cleaner that it is suitable for use on your appliance.
- ***Any damage that is caused to the appliance by a cleaning product will not be fixed by Baumatic free of charge, even if the appliance is within the guarantee period.***

Installation



The installation must be carried out by a suitably qualified person, in accordance with the current version of the following.

- *UK Regulations and Safety Standards or their European Norm Replacements.*
- *Building Regulations* (issued by the Department of the Environment).
- *Building Standards* (issued by the Scottish Development Department).
- *IEE Wiring Regulations.*
- *Electricity At Work Regulations.*

Electrical connection



YOUR MICROWAVE IS INTENDED FOR FITTED AND PERMANENT INSTALLATION.

- Before connecting the appliance, make sure that the supply voltage marked on the rating plate corresponds with your mains supply voltage.
- We recommend that the appliance is connected by a qualified electrician, who is a member of the N.I.C.E.I.C. and who will comply with the I.E.E. and local regulations.
- ***WARNING: THIS APPLIANCE MUST BE EARTHED.***
- This appliance is supplied with a mains supply cable. It must be wired into a 16 A double pole switched fused spur outlet, having 3 mm contact separation and placed in an easily accessible position adjacent to the appliance. The spur outlet must still be accessible even when your microwave is located in its housing.
- The wiring in the mains lead is coloured as follows:

<i>Brown</i>	Live
<i>Blue</i>	Neutral
<i>Green and yellow</i>	Earth
- As the colours of the wires in the appliance's mains lead may not correspond with the coloured markings identifying the terminals in your spur box, please proceed as follows:

The **brown wire** must be connected to the terminal marked "L" (live), or coloured **red**.

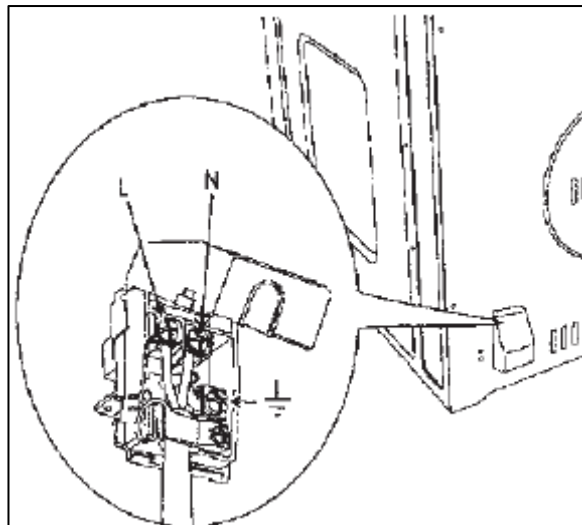
The **blue wire** must be connected to the terminal marked "N" (neutral), or coloured **black**.

The **green and yellow wire** must be connected to the terminal marked "E" (earth), or by the earth symbol, or coloured **green and yellow**.

- When the connection is completed, no stray strands or cut wire should be present. The cord clamp must be secured over the outer sheath.
- Broken or damaged power leads must only be replaced by a suitably qualified person. A power lead of a similar type must be used in replacement.

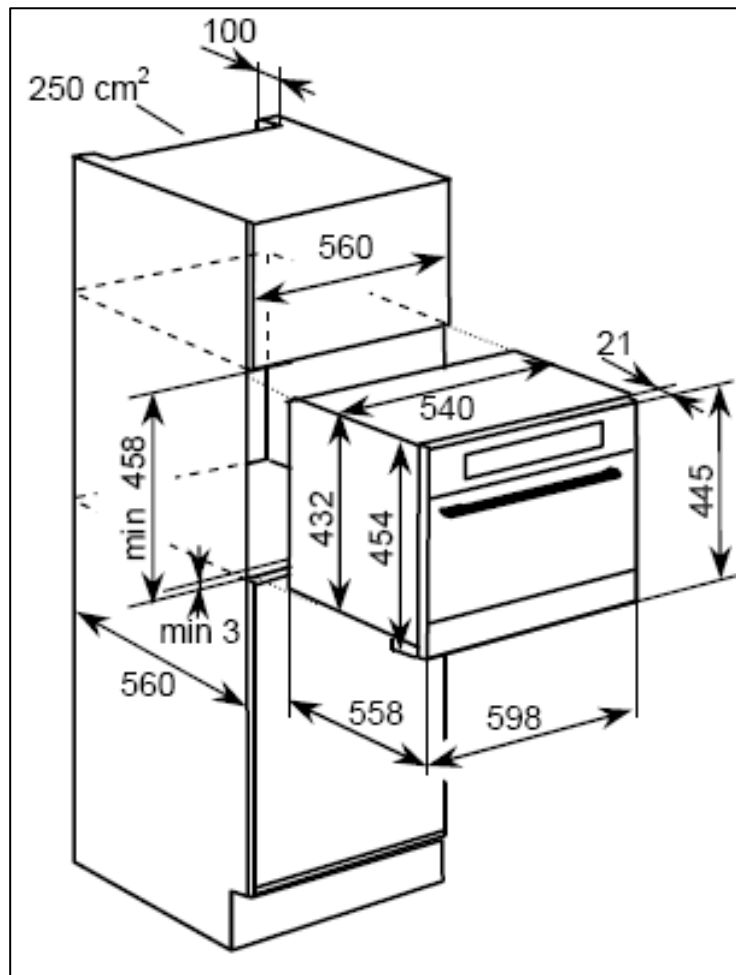


Before beginning to install your appliance, check that there is no sign of damage (on the inside or the outside of the microwave), and that there are no packing materials or accessories inside the cavity. Remove any protective film on the microwave.



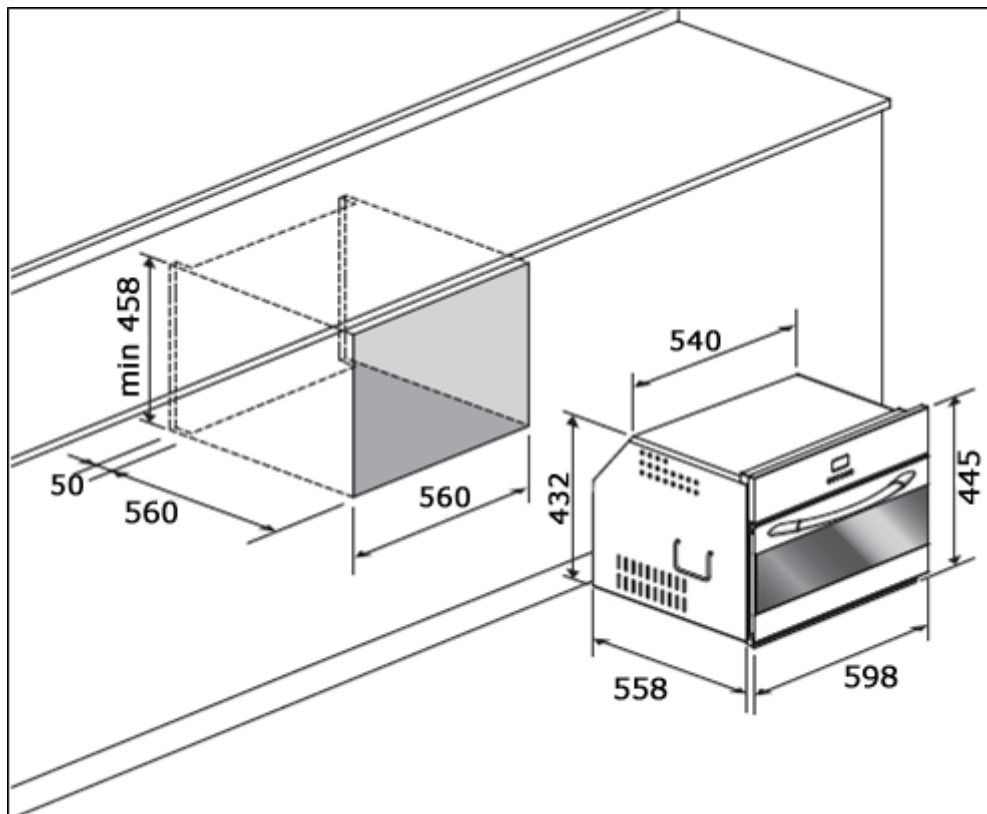
Aperture and ventilation requirements

Built in:



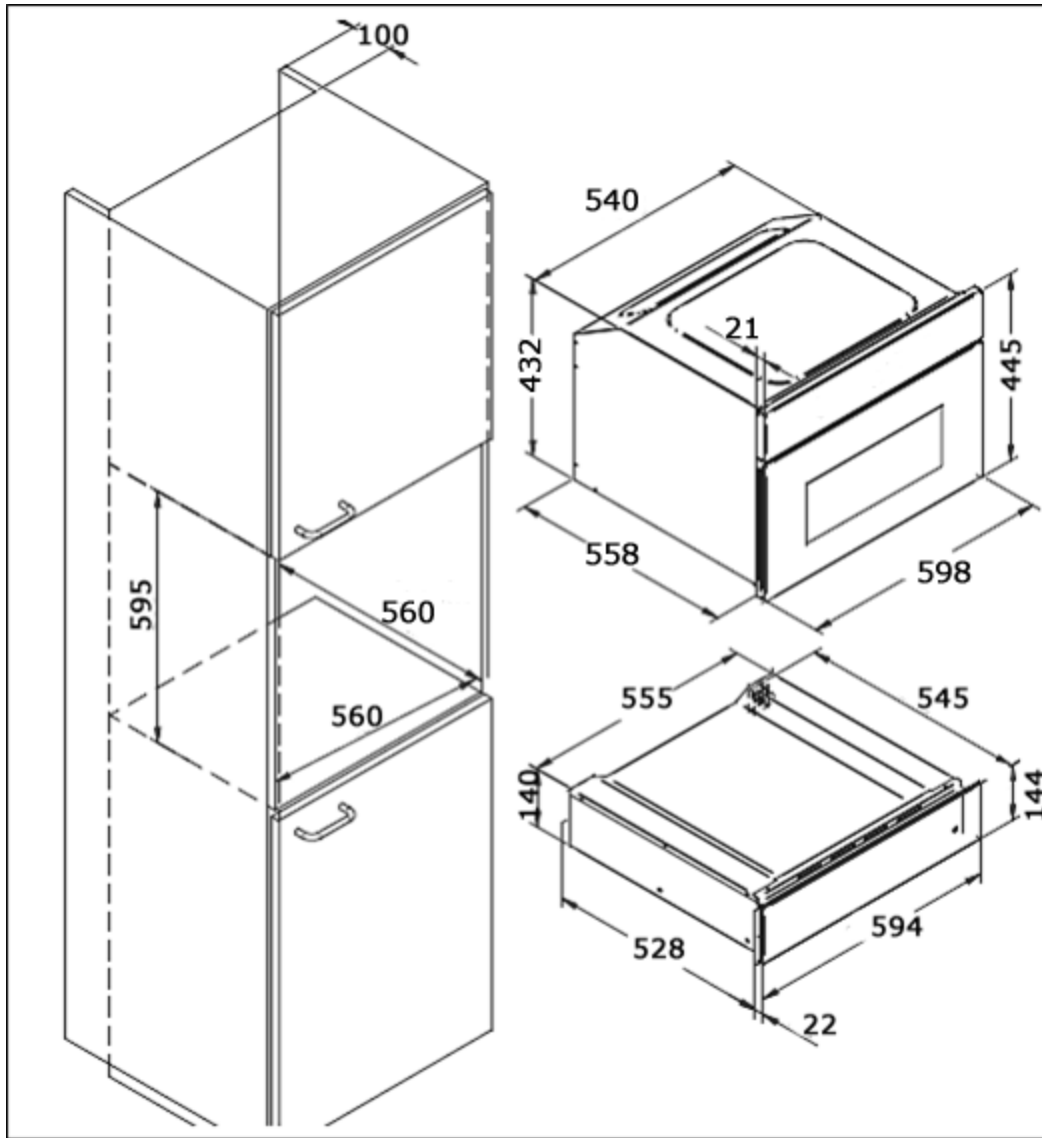
- The diagram above shows the aperture and ventilation requirements that you require to build the appliance into a housing unit.
- Ensure that the rear panel of the furniture housing unit has been removed.
- This oven may be installed without any additional ventilation cut outs being made in the housing unit. However the ventilation cut outs shown in the diagram **MUST** be present, otherwise the microwave oven may not function correctly. At the rear of the appliance and at the top of the housing unit keep at least 50 mm free for airflow.
- Do not cover the ventilation slots or air intake points.
- Do not position the microwave oven near a heat source. Please note that transmitting and receiving equipment such as radios and televisions can affect the operation of the microwave oven.

Built under:



- The diagram above shows the aperture and ventilation requirements that you require to build the appliance under a work surface.
- Ensure that the rear panel of the furniture housing unit has been removed.
- This oven may be installed without any additional ventilation cut outs being made in the housing unit. However the ventilation cut shown in the diagram **MUST** be present, otherwise the microwave oven may not function correctly. At the rear of the appliance keep at least 50 mm free.
- Do not cover the ventilation slots or air intake points.
- Do not position the microwave oven near a heat source. Please note that transmitting and receiving equipment such as radios and televisions can affect the operation of the microwave oven.

Built in with a warming drawer:



- The diagram above shows the aperture and ventilation requirements that you require to build the appliance into a housing unit with a warming drawer below.
- Ensure that the rear panel of the furniture housing unit has been removed.
- This oven may be installed without any additional ventilation cut outs being made in the housing unit. However the ventilation cut outs shown in the diagram **MUST** be present otherwise the microwave oven may not function correctly. At the rear of the appliance and at the top of the housing unit keep at least 100 mm free for air flow.
- Do not cover the ventilation slots or air intake points.

- Do not position the microwave oven near a heat source. Please note that transmitting and receiving equipment such as radios and televisions can affect the operation of the microwave oven.

Fixing the appliance into the housing unit

IMPORTANT: NO OTHER METHODS OF INSTALLING THE MICROWAVE ARE SANCTIONED BY BAUMATIC.

- Fully insert the appliance into the aperture hole and centre it.
- Ensure that none of the cables are kinked or compressed when the appliance is in position.
- Screw the appliance to the aperture using the fixing screws and bushings provided.
- The gap between the housing unit and the appliance must not be closed by additional plinths.
- ***WARNING: The microwave will get hot during operation; care should be taken not to accidentally come into contact with the outer surface.***
- ***WARNING: Children should not be allowed near to the appliance unsupervised.***

Troubleshooting

- ***The microwave will not switch on.***
 - * Check that the appliance has been connected to the mains supply correctly.
 - * Check that the fuse in the moulded plug has not blown.
 - * Check that the fuses in your fuse box have not blown.
 - * If fuses blow on a regular basis, then we would recommend that you consult with a qualified electrician.
 - * Check that there has not been a power cut.
- ***The microwave will not start cooking.***
 - * Check that the door is properly shut.
 - * Check that the door seal and surrounding area are clean.
 - * Check that you have pressed the start button.

- ***The turntable is not turning.***
 - * Check that the turntable is connected to the drive motor correctly.
 - * Check that the ovenware is not larger than the turntable glass.
 - * Check that the food you are cooking does not extend beyond the turntable glass.
- Check that there is nothing underneath the turntable that is preventing it from turning.

- ***The microwave does not switch off.***
 - * Isolate the microwave from your mains supply and then contact the Baumatic Customer Care Department.

- ***The interior light bulb is not working.***
 - * Call the Baumatic Customer Care Department. The interior light bulb can only be replaced by a trained service technician.

- ***My food is not cooking properly.***
 - * Check that the oven function, power level and cooking time that you have set, is appropriate for the food that you are cooking.
 - * If you are cooking twice the amount of food, then you will normally need to almost double the cooking time.
 - * If the food that you have placed in the cavity is colder than normal, then the power level and cooking time may need to be increased.

- ***I am getting condensation in my oven.***
 - * Steam and condensation are a natural by product of cooking in a microwave.
 - * Do not leave food in the oven to cool after it has been cooked and the oven has been switched off.
 - * Use a covered container, where practical, when cooking to reduce the amount of condensation that forms.
 - * You should wipe over any condensation that has formed, as soon as the food has stopped cooking.



IMPORTANT: If your appliance appears not to be operating correctly, then you should disconnect it from your mains supply and then contact Baumatic Customer Care on telephone number (0118) 933 6911.

DO NOT ATTEMPT TO REPAIR THE APPLIANCE YOURSELF.

Please note that if an engineer is asked to attend whilst the product is under guarantee and finds that the problem is not the result of an appliance fault, then you may be liable for the cost of the call out charge.

The appliance must be accessible for the engineer to perform any necessary repair. If your appliance is installed in such a way that an engineer is concerned that damage will be caused to the appliance or your kitchen, then he will not complete a repair.

This includes situations where appliances have been tiled in, sealed in with sealant, have wooden obstructions placed in front of the appliance, like plinths. Or any installation other than the one specified by Baumatic Ltd. has been completed.

Please refer to the conditions of guarantee that appear on the warranty card that you receive with the appliance.

IMPORTANT: Baumatic Ltd. operates a policy of continuous improvement and reserves the right to adjust and modify its products without prior notification.

Baumatic Consumables

- **BC001** Degreaser for Dishwashers (200g)
- **BC002** Descaler for Washing Machines and Dishwashers (200g)
- **BC003** Ceramic Hob Cleaner (250ml)
- **BC004** Oven Cleaner (250ml)
- **BC005** Stainless Steel Cleaner and Protector (250ml)
- **BC007** E-Cloth – General Purpose Cloth
- **BC008** Microwave Cover

To order a Baumatic consumable product please call 0123 5437 244 and quote the product code. You can also order online from eshop.baumatic.co.uk



United Kingdom

Baumatic Ltd.,
Baumatic Buildings,
6 Bennet Road,
Reading, Berkshire
RG2 0QX
United Kingdom

Sales Telephone

(0118) 933 6900

Sales Fax

(0118) 931 0035

Customer Care Telephone

(0118) 933 6911

Customer Care Fax

(0118) 986 9124

Spares Telephone

(01235) 437244

Advice Line Telephone

(0118) 933 6933

E-mail:

sales@baumatic.co.uk
customercare@baumatic.co.uk
spares@baumatic.co.uk
technical@baumatic.co.uk

Website:

www.baumatic.co.uk

Facebook:

www.facebook.com/baumatic.uk

Republic of Ireland

Service Telephone

1-890 812 724

Spares Telephone

091 756 771

Czech Republic

Baumatic CR s.r.o.
Lípová 665
460 01 Liberec 4
Czech Republic

+420 483 577 200

www.baumatic.cz

Slovakia

Baumatic Slovakia, s.r.o.
Panenská 34
811 03 Bratislava - Staré Mesto
Slovakia

+421 255 640 618

www.baumatic.sk

Germany

Baumatic Gmbh
Bachstr.10-12
D-32257 Bünde
Germany

+49 (0) 5223 99408 0

www.baumatic.de

Italy

Baumatic Italia S.R.L.
Via Galvani N.3
35011 Campodarsego (PD)

+3904 9920 2297

www.baumatic.it

Holland

Baumatic Benelux B.V.
Dukdalfweg 15d
1332 BH ALMERE
Nederland

+31(0)36 549 1553

www.baumatic.nl

