

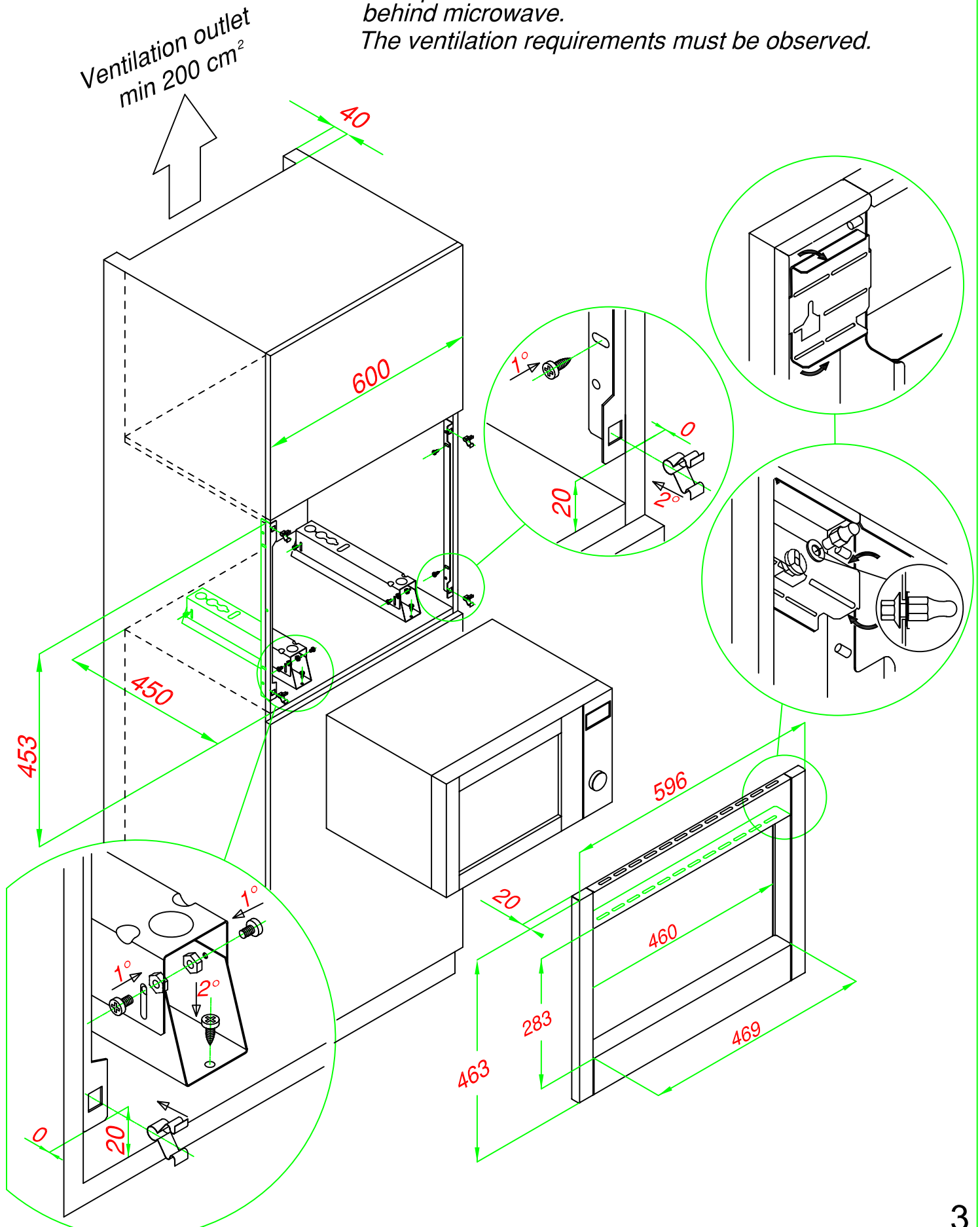
BMK1SS

INSTALLATION REQUIREMENTS

IMPORTANT:

Rear panel of cabinet must be removed behind microwave.

The ventilation requirements must be observed.



BMK1SS INSTALLATION REQUIREMENTS

Ensure that the fixing plates are the correct way round before fixing into place.

BTM17.3SS

