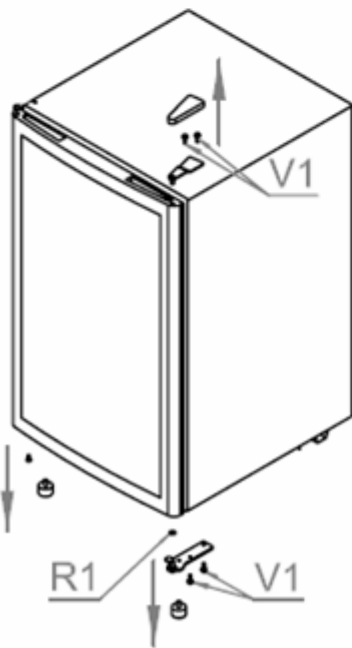
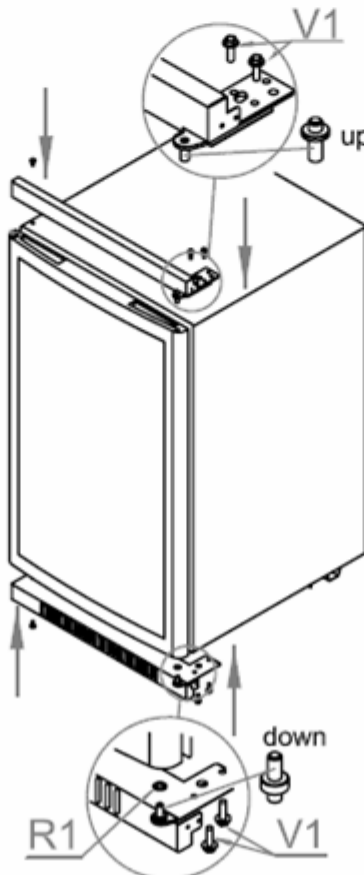


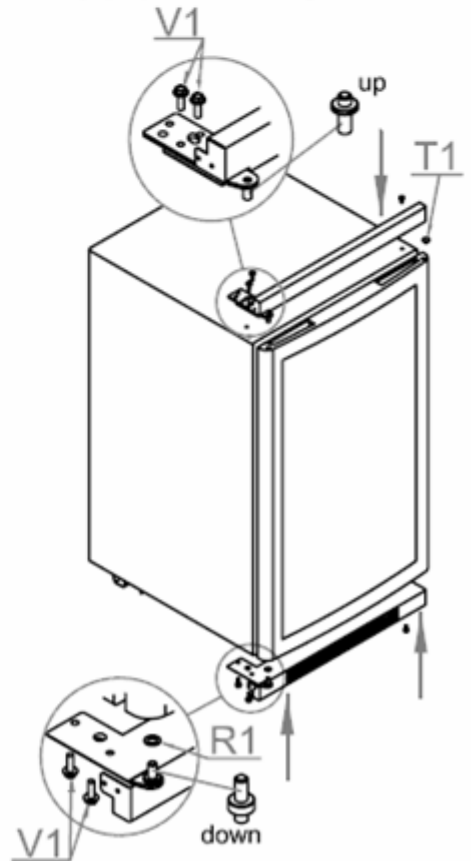
1 Remove the hinges of the door, the feet and the screws on the bottom (as shown in the diagram below). Keep the screws (V1) and the washer (R1).



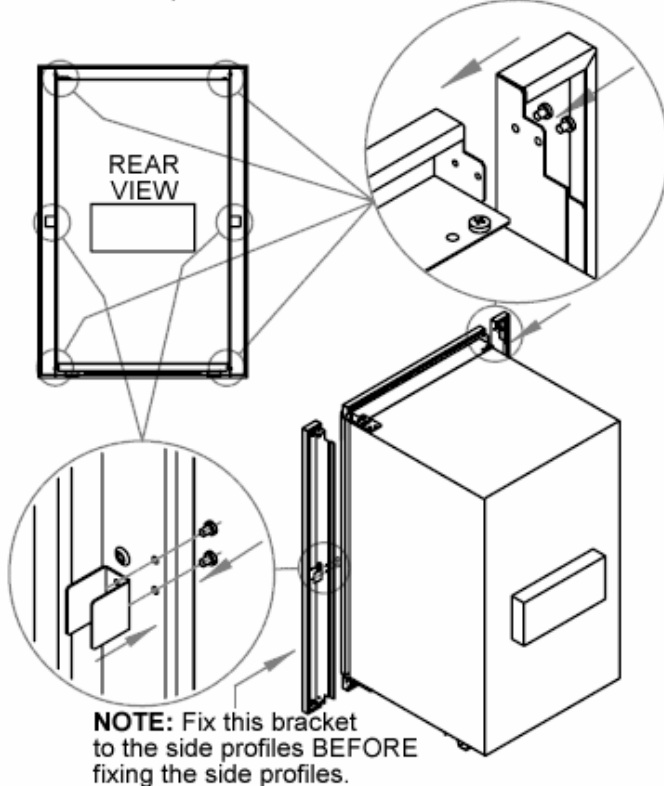
2A DOOR WITH LEFT OPENING
Place the upper and the bottom profiles with the new flat hinges and screw them to the unit. As shown in the diagram below.



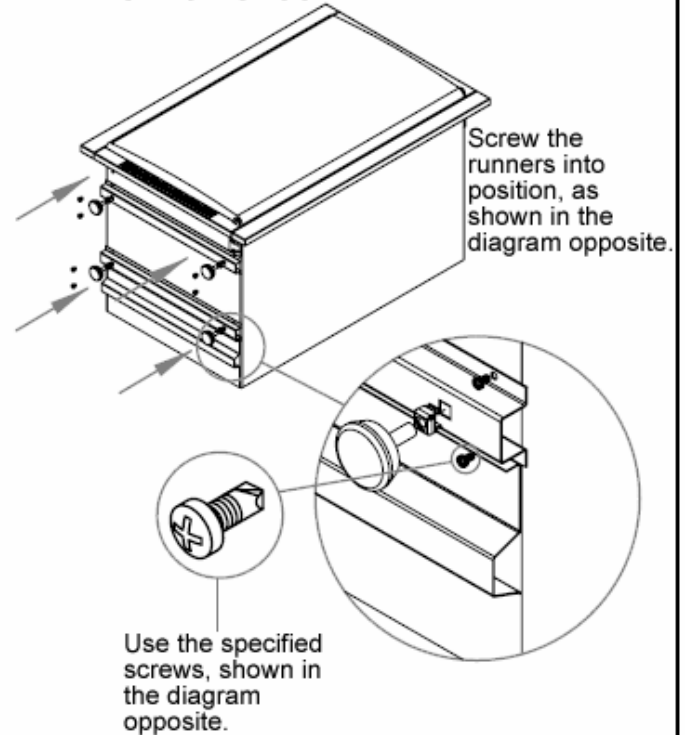
2B DOOR WITH RIGHT OPENING
Place the upper and the bottom profiles with the new flat hinges and screw them to the unit. As shown in the diagram below. Change the position of the blanking cap (T1) from left to right.



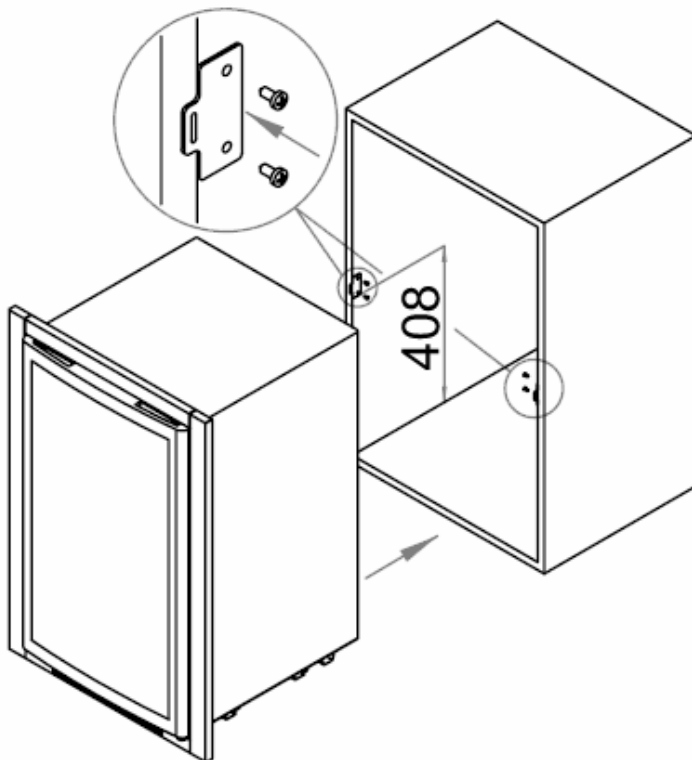
- 3 Place the side profiles and screw them to the top and bottom profiles (as shown in the diagram below).



- 4 Place the feet runners on the bottom of the unit and mark the position for the screws. Carefully drill out these holes, using a 4mm drill bit. **IMPORTANT: TAKE CARE NOT TO DRILL OUT THESE HOLES TOO DEEPLY.**



- 5 Screw the fixing plates to the front edge of the cabinet.



- 6 Finally, fix the wine cooler to the cabinet; the holes for the screws are located on the side profiles of the kit.

