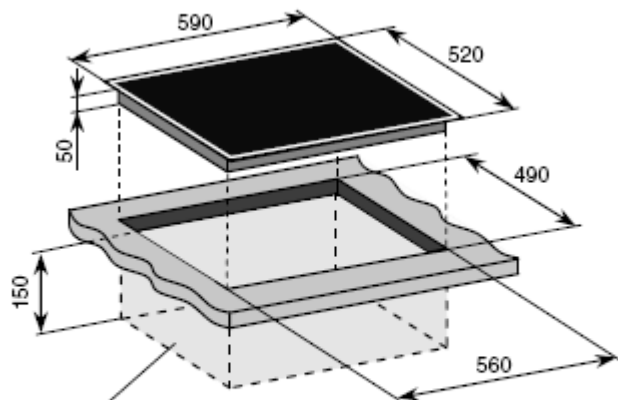


BH6I10



Free space under the hob
necessary for ventilaton