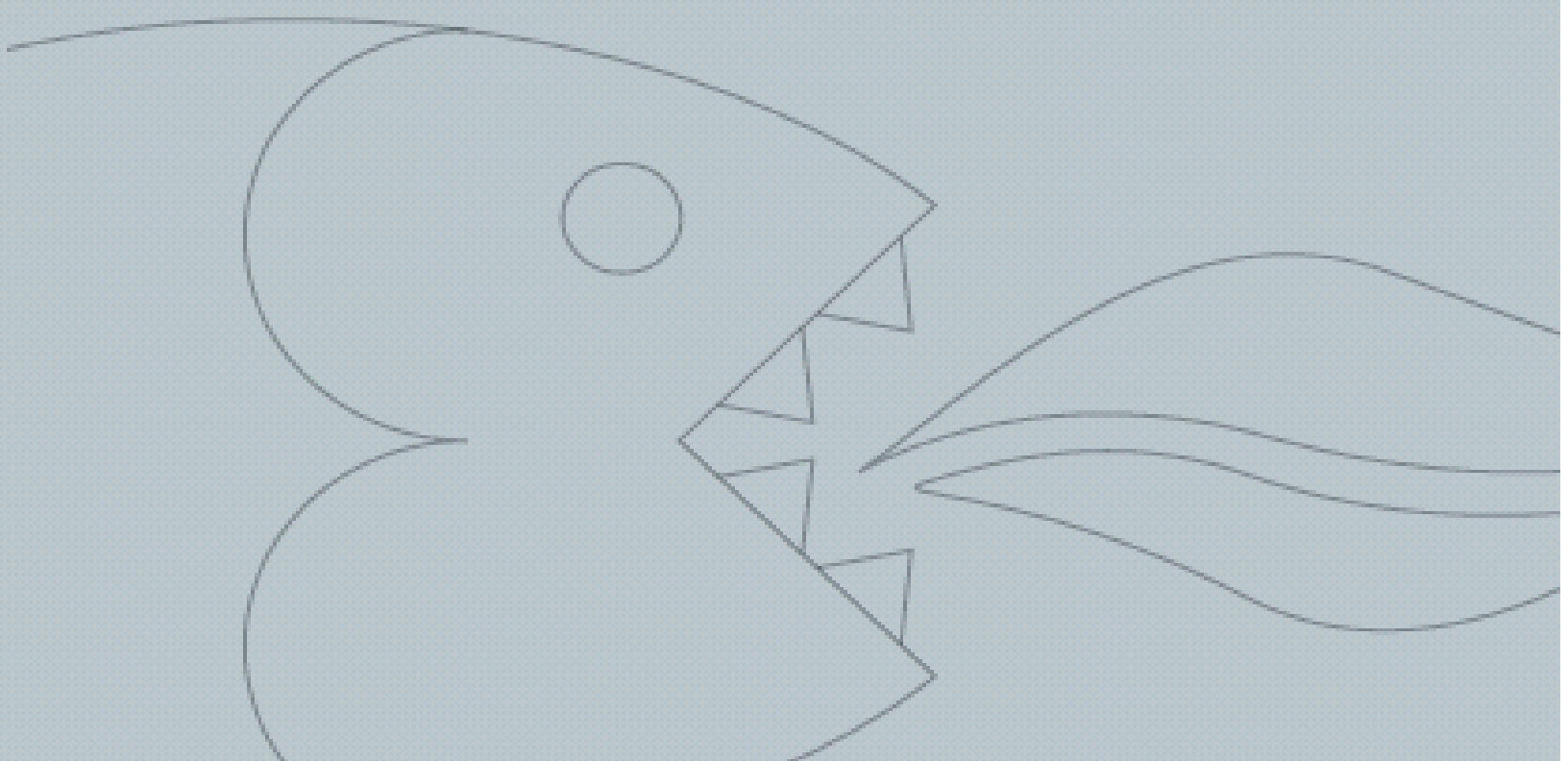


**AS35SS Cooker
Hood**

Instruction manual



User Manual for your Baumatic

AS35SS Cooker Hood

Studio Solari 80 cm Chimney Hood in
Stainless Steel



NOTE: This User Instruction Manual contains important information, including safety & installation points, which will enable you to get the most out of your appliance. Please keep it in a safe place so that it is easily available for future reference.

CONTENTS

| | |
|--|--------------------|
| SPECIFICATION OF YOUR COOKER HOOD | PAGE 3 |
| IMPORTANT SAFETY INFORMATION | PAGES 4 - 5 |
| ENVIRONMENTAL NOTE | PAGE 6 |
| DESCRIPTION OF YOUR COOKER HOOD | PAGE 7 |
| USING YOUR COOKER HOOD | PAGE 8 |
| CLEANING YOUR COOKER HOOD | PAGE 9 |
| MAINTENANCE- Removing and cleaning the grease filter | PAGE 10 |
| Changing a light bulb | PAGE 11 |
| Fitting the carbon filter | PAGE 12 |
| The carbon filter saturation signalling device | PAGE 13 |
| INSTALLATION- Electrical Connection | PAGE 14 |
| Before beginning installation | PAGES 15 - 16 |
| Extraction mode or recirculation mode? | PAGE 17 |
| Installation without a chimney | PAGE 18 |
| Installation with a chimney | PAGE 19 |
| Connecting to external ducting. | PAGE 20 |
| TROUBLE SHOOTING | PAGE 21 |
| CONDITIONS OF GUARANTEE | PAGE 22 |
| CONTACT DETAILS | PAGE 23 |

Specifications of your AS35SS Cooker Hood

Congratulations on purchasing a Baumatic Cooker Hood!

To fully enjoy using your appliance long into the future, please firstly familiarise yourself with the specifications, safety advice and operational instructions included in this manual. You will also need this manual to install your cooker hood correctly.

DIMENSIONS

| | | |
|--------|-------------------|--------------------|
| Width | (canopy): | 800 mm |
| Depth | (canopy): | 131 mm to 346 mm |
| Height | (with chimney) | 1105 mm to 1635 mm |
| | (without chimney) | 569 mm |

Dimensions of Chimney Section:

| | |
|-------|--------|
| Width | 240 mm |
| Depth | 250 mm |

Your stainless steel Cooker Hood is fitted with:

- Superior extraction capacitor motor
- Touch control operation with blue under lit buttons
- 3 speeds and Booster
- 2 metallic grease filters
- 2 Halogen lights

Extraction capacity – 600 m³/hr

Optional Extra: Carbon filter kit (available from the Baumatic Spares Department)

Important Safety Information: Please Read this before installing & using.

Any installation work must be carried out by a qualified electrician or competent person.

✓ Coal/ oil cookers:
800 mm

*** NOTE - DO NOT SET YOUR COOKER HOOD LESS THAN 700mm ABOVE YOUR COOKER!**

○ *The hood must be installed in accordance with the installation instructions and all measurements followed.*

○ If the cooker hood is installed for use above a gas appliance then the provision for ventilation must be in accordance with the Gas Safety Codes of Practice BS.6172, BS.5440 & BS.6891 (Natural Gas) and BS.5482 (LP Gas) 1994, the Gas Safety (Installation & Use) Regulations, the Building Regulations issued by the Department of the Environment, the Building Standards (Scotland) (Consolidated) Regulations issued by the Scottish Development Dptmt.



○ It is dangerous to alter the specifications or to modify this product in any way. Do not tamper with it or attempt to alter it in the attempt to customise it further.



○ When installing the hood, ensure that the following recommended distances are being observed between the cooker top and the bottom of the cooker hood:

✓ Electric cookers:
700 mm

✓ Gas cookers:
700 mm

○ When installed between adjoining wall cabinets, the cabinets must not overhang the hob.

○ The edges of the cooker hood are sharp – be mindful of this as you handle your appliance, especially during installation and cleaning. **DO NOT CLEAN IN BEHIND THE GREASE FILTERS!**

○ If the room where the cooker hood is to be used contains a fuel burning appliance such as a central heating boiler then its flue must be of the sealed or balanced flue type.

○ If other types of flue or appliances are fitted, ensure that there is an adequate supply of air in the room.

○ When the hood is being used in its extractor function, ensure that the ducting is fire retardant and that there are no bends sharper than 90 degrees as this will reduce the efficiency of the hood.

Important Safety Information: Please Read this before installing & using.

- Ensure the ducting for the extractor function has the same diameter as the outlet hole all the way through.
- *Keep young children from using, playing with or tampering with the cooker hood. Older children and infirm persons should be supervised if they are using the cooker hood.*
- *Your cooker hood is for domestic use only.*
- *Please dispose of the packing material carefully – children are especially vulnerable to it.*
- *Dirty oil is an even greater fire risk.*
- *Always put lids on pots and pans when cooking on a gas cooker.*
- *The manufacturer refuses to accept any responsibility for damages arising to the hood or its catching on fire from failure to observe fire safety advice in these instructions.*
- *Remember that when in extraction mode, your cooker hood is removing air from your room. Ensure that proper*



ventilation measures are being observed. Note that it removes odours from your room, not steam.

- Warning - Always ensure that the cooker hood has been disconnected from the power supply before carrying out any work on the hood, including replacing light bulbs.

-
- ☒ Do not connect the ducting system of this appliance to any existing ventilation system which is being used for any other purpose.
 - ☒ Do not install above a cooker with a high level grill.
 - ☒ *Never leave frying pans unattended during use as overheated fats and oils might catch fire.*
 - ☒ *Do not leave naked flames under the cooker hood.*
 - ☒ Do not attempt to use the cooker hood if it is damaged in any way. *Never attempt to use it without the grease filters fitted or if the filters are excessively greasy!*
 - ☒ *Never flambé cook under this cooker hood.*




Environmental Note

Note: Before discarding an old appliance, switch off and disconnect it from the power supply. Cut off and render any plug useless. Cut the cable off directly behind the appliance to prevent misuse. This should be undertaken by a competent person.

CONFORMITY TO W.E.E.E. DIRECTIVE

This appliance is marked according to the European directive 2002/96/EC on Waste electrical and Electronic Equipment (WEEE). By ensuring this product is disposed of correctly, you will help prevent potential negative consequences for the environment and human health, which could otherwise be caused by inappropriate waste handling of this product.

The symbol  on the product, or on the documents accompanying the product, indicates that this appliance may not be treated as household waste. Instead it shall be handed over to the applicable collection point for the recycling of electrical and electronic equipment.

Disposal must be carried out in accordance with local environmental regulations for waste disposal. For more detailed information about treatment, recovery and recycling of this product, please contact your local city office, your household waste disposal service or the shop where you purchased the product.



Description of your Cooker Hood

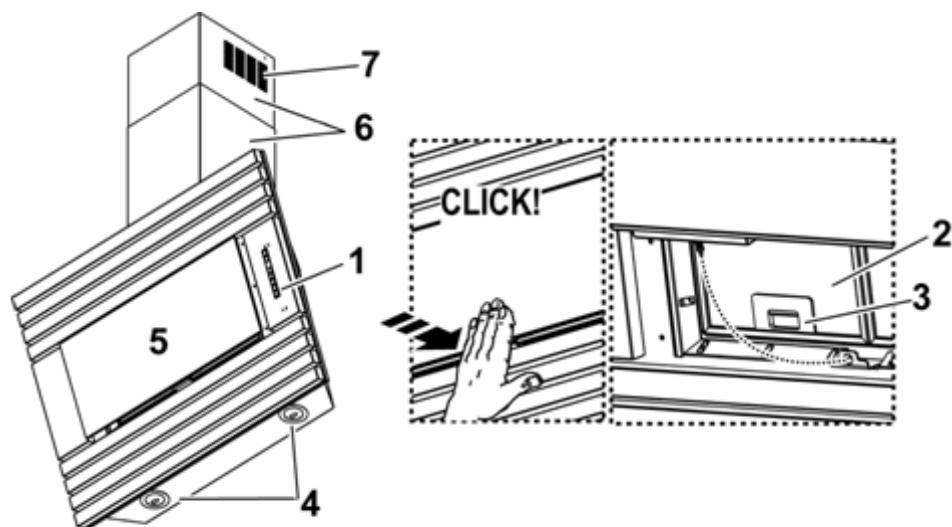


Fig.1

Description of the hood (Fig. 1)

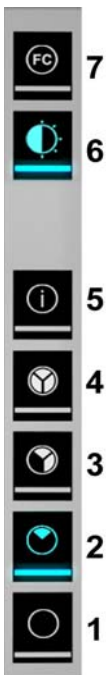
1. Control panel
2. Grease filter
3. Grease filter release handle
4. Halogen lamp
5. Cover screen
6. Telescopic chimney
7. Air outlet (used for filter version only)

Using your Baumatic Cooker Hood:

To use your cooker hood:

- 1) Make sure it has been properly installed by a suitably qualified person.
- 2) Find the CONTROL PANEL. It is located on the right hand side of the hood, at the front of the canopy.
- 3) The CONTROL PANEL contains switches as shown in the Figure below. These perform separate functions. You will need to understand what both switches do before you attempt to use your cooker hood.

*** Note: The hood should be switched on as soon as you start cooking.**



Control panel functions

1. Motor OFF
2. Suction speed selection key (power) 1
3. Suction speed selection key (power) 2
4. Suction speed selection key (power) 3
5. Booster function selection key (power). This lasts 5 minutes, after which the extractor motor switches off or the hood goes back to the suction speed (power) previously selected. In order to deselect this suction speed, press buttons 1 or 2 or 3 or 4.
6. **ON/OFF** lights key
7. Settings and reset filter saturation signals: This lights up in order to warn you that the grease filter needs maintenance. If it blinks then maintenance of the carbon filter is required. To reset the device, please press button 7 and hold for 5 seconds.

In case of possible working anomalies, before contacting service assistance, disconnect the electrical feed for at least 5 seconds by pulling out the plug, and then connect it again. If malfunction continues, contact the Baumatic Service Department on (0118) 933 6911.

Cleaning your Baumatic Cooker Hood:

IMPORTANT! Before cleaning, always ensure that you have switched your cooker hood OFF at the omni-polar switch, set at the wall from the cable:

Cleaning

- Clean the external parts with mild liquid detergents on a damp cloth.
- Never use abrasive powder, corrosive solvents or brushes.
- Never insert pointed objects into the motor's protective grid.
- Only clean the control panel and filter grill with a damp cloth and delicate detergents.
- Be sure to replace the carbon filters at the recommended intervals. Build up could cause a fire hazard.
- Never take out the grease filters and attempt to clean the space above where they are set.

Grease Filter

- Your cooker hood includes a grease filter which helps to absorb grease particles to protect your kitchen & furniture from greasy residues.
 - The metallic filter may become inflammable if it becomes saturated with this greasy residue.
-
- ✓ To prevent this fire hazard, the filter should be cleaned regularly. Depending on use, this should be done every 10-15 days or at least once a month, using hot water and normal washing-up detergent.
 - ✓ **DO NOT WASH THE GREASE FILTER IN A DISHWASHER.**

Maintenance- Cleaning the grease filter

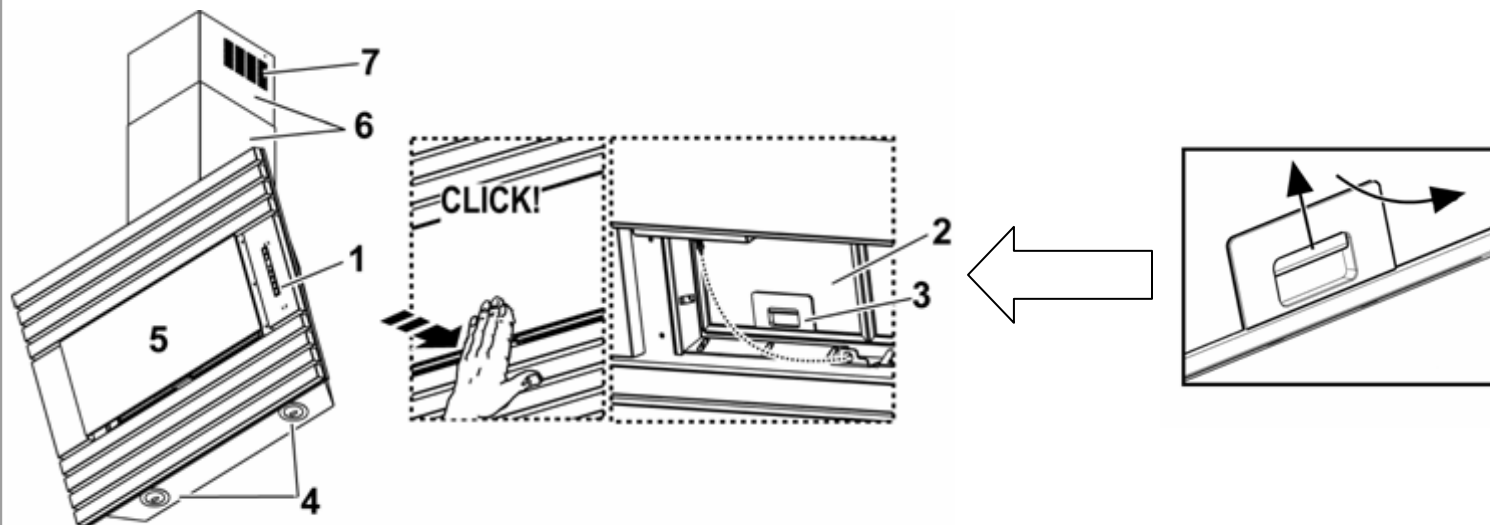


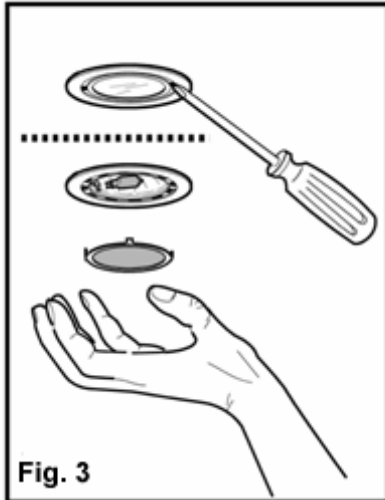
Fig.2

Removing the grease filter (Fig. 2)

Figure 2- Open the cover screen (5) and then remove the grease filter (2) by pressing the spring clip (3).

- You can now clean the grease filter.
- Soak them for about one hour in hot water with a grease-loosening detergent then rinse off thoroughly with hot water.
- Repeat the process if required.
- Let the grease filter dry thoroughly and then refit it.

Replacing a bulb (Fig. 3)



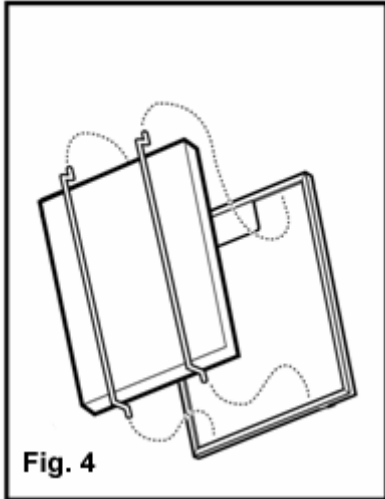
Warning! Disconnect the hood from the electricity before commencing this process.

- Prior to touching the light bulbs ensure they are cooled down.
- Carefully use a small screwdriver as a lever on the borders of the lamp in order to remove the light bulb.
- Slide out the light bulb to be replaced and insert a new **12V 20W 30° Ø35 12V GU4 PHILIPS STANDARD LINE code 425409.**
- Carry out the replacement and mount the new light bulb by following instructions in the reverse.

If the lights do not work, make sure that the lamps are fitted properly into their housings before you call for technical assistance.

*** PLEASE NOTE - Defective bulbs should be replaced immediately.**

Carbon filter (Fig. 4)



If the appliance is being used to be used in recirculation mode then it is necessary to fit a carbon filter. This will absorb unpleasant odours caused by cooking.

Warning! Disconnect the hood from the electricity.

- **Fitting the carbon filter.**

Open the cover screen and remove the grease filter. Install the carbon filter on the back of the grease filter and fix with two rods.

Attention! The rods are included in the carbon filter packing and not on the hood.

- **Removing the carbon filter.**

Open the cover screen and remove the grease filter. To take out the carbon filter, please follow the fitting instructions in reverse

- **Replacing the carbon filter.**

The carbon filter should be replaced every 3 years or if the filter shows signs of damage.

THE CARBON FILTER SATURATION SIGNALLING DEVICE

If you are using your cooker hood in recirculation mode then it is necessary to fit a charcoal filter (see page 17 for an explanation of recirculation and extractor modes).

Your appliance is fitted with a device that will advise you when the carbon filter is saturated with fat, and needs to be either cleaned or replaced.

The Carbon Filter Saturation Signalling Device will not be operational when you first install the appliance. Once the installation of the cooker hood is complete, it will be necessary for you to turn the device on.

- **TURNING THE SIGNALLING DEVICE ON**

Press key 1 (motor off) and then press and hold down key 7. Whilst still holding down key 7, you should press key 5.

At this point key 7 should light up in order to tell you that the saturation device has been switched on.

- **TURNING THE SIGNALLING DEVICE OFF**

Repeat the above procedure to turn the saturation device off.

- **CHECKING THE STATUS OF THE SIGNALLING DEVICE**

Briefly press key 7, if it lights up for a few seconds then the signalling device is switched on. If key 7 does not light up, then the signalling device is not activated.

INSTALLATION INSTRUCTIONS – Electrical Connection.

Before installation and usage, read all the instructions and make sure that the voltage (V) and the frequency (Hz) indicated on the identification plate (found inside your Cooker Hood) and all the data inside the appliance are exactly the same as the voltage and frequency in your home.

NOTE: The manufacturer declines all responsibility in the event of failure to observe all the accident-prevention regulations in force which are necessary for normal use and regular operation of the electric system.



ELECTRICAL CONNECTION

Your cooker hood is intended for **fitted and permanent installation**.

- The power cable must be connected to the terminals marked L (live) and N (neutral) in the hood and fixed with a cable clamp.
- The cooker hood's power cable must be fitted upstream from the electrical connection using an omni-polar switch with a contact distance of at least 3mm.

NOTE: (UK only) WARNING – THIS APPLIANCE MUST NOT BE EARTHED. It should only be connected by a competent person using fixed wiring via a **DOUBLE POLE SWITCHED FUSED SPUR OUTLET AND FUSED AT 3 AMPS.**

We recommend that the appliance is connected by a qualified electrician who is a member of the N.I.C.E.I.C. and who will comply with the I.E.E. and local regulations. The wires in the mains lead are coloured in accordance with the following U.K. code:

Blue = Neutral, Brown = Live, Green/Yellow = Ground

If you can only find two wires in the cable (blue and brown), neither must be connected to the Earth terminal!

- As the colours of the wires in the appliance's mains lead may not correspond with the coloured markings identifying the terminals in your spur box, please proceed as follows:

The **BLUE** wire must be connected to the terminal marked 'N' (Neutral), or coloured **BLACK**. The **BROWN WIRE** must be connected to the terminal marked 'L' ('Live') or coloured **RED**. (See figure 7 below).

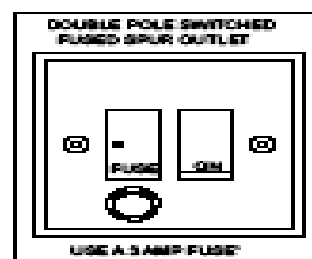


Fig. 7 ONLY FOR U.K.

INSTALLATION INSTRUCTIONS – Before beginning installation.



PLEASE NOTE THAT YOU WILL HAVE TO DECIDE BEFORE INSTALLING YOUR COOKER HOOD WHETHER TO USE IT IN EXTRACTION MODE OR RECIRCULATION MODE. PLEASE TURN TO PAGE 17 NOW TO UNDERSTAND THE DIFFERENCES BETWEEN THESE TWO MODES.

- ☒ *The cooker hood should not be exposed to a direct heat source from the cooking device underneath it, i.e. naked flame from a gas burner or heat from electric hob zones without a pan on them.*
- ☒ *We recommend that at least two people install this hood.*
- ☒ *The lights on this appliance should only be used during operation of the cooker hood. They should not be left on permanently and used as a lighting source.*

Before beginning installation:

- Check that the product purchased is of a suitable size for the chosen installation area. In addition check whether there is an electrical socket available that will be accessible once the hood is mounted. If the product is going to be used in extraction mode, then there should also be space to connect a ducting hose to the outside.
- Carry out all necessary masonry work prior to the fitting of the cooker hood.
- **Ensure that all electrical connections are carried out by a suitably qualified person.**
- Before commencing installation of the cooker hood the grease filter should be removed.

- Check inside the product and insure that there is no transit packaging or any other materials, such as packets of screws, guarantees etc. These should be removed and kept for future use.
- If possible, disconnect and move freestanding or slot-in cookers from their position, to provide easier access to the rear wall and ceiling. If this is not possible, then a thick, protective covering should be placed over the worktop, hob top or cooker. This will help to protect these surfaces from damage and debris.
- Select a flat surface for assembling the cooker hood. Cover that surface with a protective covering and place all cooker hood parts and fittings on it.
- In addition check whether there is an electrical socket available, which will be accessible after the hood is mounted. If you are going to use the appliance in extractor mode, you should also ensure that there is space to connect a fumes discharge device to the outside.
- Raw plugs are provided to secure the hood to most types of walls and ceilings. However a qualified technician must verify the suitability of the materials, in accordance with the type of wall and ceiling. The wall and ceiling must be strong enough to take the weight of the hood.

Do not tile, grout or silicone this appliance to the wall. This appliance is designed to be surface mounted only.

Note: The hood may be installed with or without a chimney.

What is the difference between extraction and recirculation modes?

To get optimum performance from your cooker, the air will be taken out of the room via external ducting.

Unfortunately if you live in a flat or the hood is too far from an outside wall, this may not be possible. The only alternative is to recirculate the air.

In recirculation mode stale air is taken via the grease filter, and passed through a charcoal filter for purification. The air then re-enters the kitchen via an opening in the hood.

What is a charcoal filter and do I need one?

All cooker hoods have a grease filter but if you are using your cooker hood in recirculation mode, then a charcoal filter must be fitted in addition to the grease filter.

For installation without a chimney. (Figure 5)

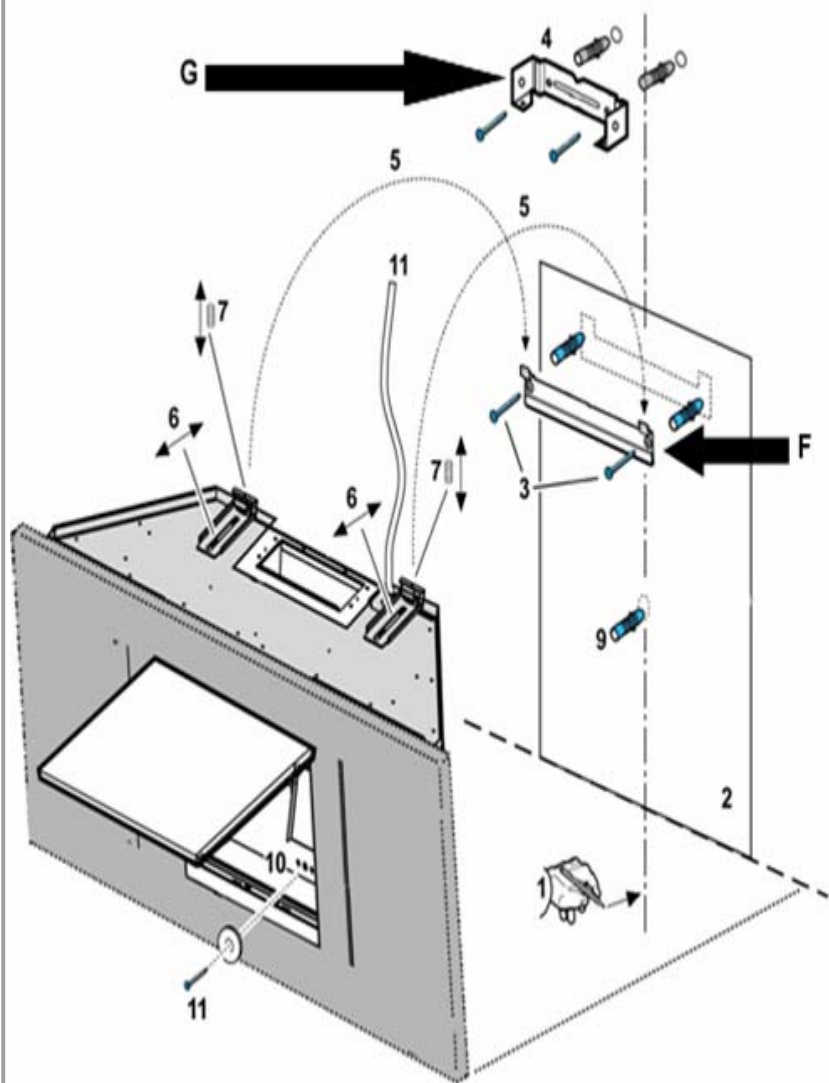


FIG. 5

then level the appliance using the adjusting brackets (6 and 7).

- Lift the cover screen and mark the lower fixing point on the wall (10). Remove the hood and drill on this marking, one hole of Ø 8 mm (9). Then insert one wall plug, hang the hood again and fasten it securely with one screw (11).

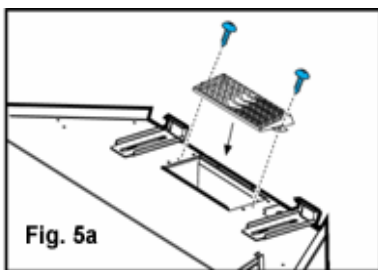


Fig. 5a

- Without a chimney the hood must operate in recirculation mode, therefore you should install the deflector (Fig. 5a) and then fit the carbon filter (see page 12 for details on how to fit the carbon filter).

- For ease of mounting, trace a central line on the wall (1). Position the cut-out template, so that the middle line printed on the top of it, corresponds to the central line that you have marked previously. The bottom of the template should correspond to the lower part of the hood, once it is mounted (2).

- Drill two holes Ø 8 mm and fasten the support bracket „F“ with two wall inserts and screws (3).

- Mount the hood (5) onto support bracket „F“. You can

For installation with a chimney. (Figure 5)

- For ease of mounting, trace a central line on the wall (1). Position the cut-out template, so that the middle line printed on the top of it, corresponds to the central line that you have marked previously. The bottom of the template should correspond to the lower part of the hood, once it is mounted (2).
- Drill two holes \varnothing 8 mm and fasten the support bracket „F“ with two wall inserts and screws (3).
- Mount the hood (5) onto support bracket „F“. You can then level the appliance using the adjusting brackets (6 and 7).
- Lift the cover screen and mark the lower fixing point on the wall (10). Remove the hood and drill on this marking, one hole of \varnothing 8 mm (9). Then insert one wall plug, hang the hood again and fasten it securely with one screw (11).

CONNECTING THE CHIMNEY SECTION (FIGURE 6).

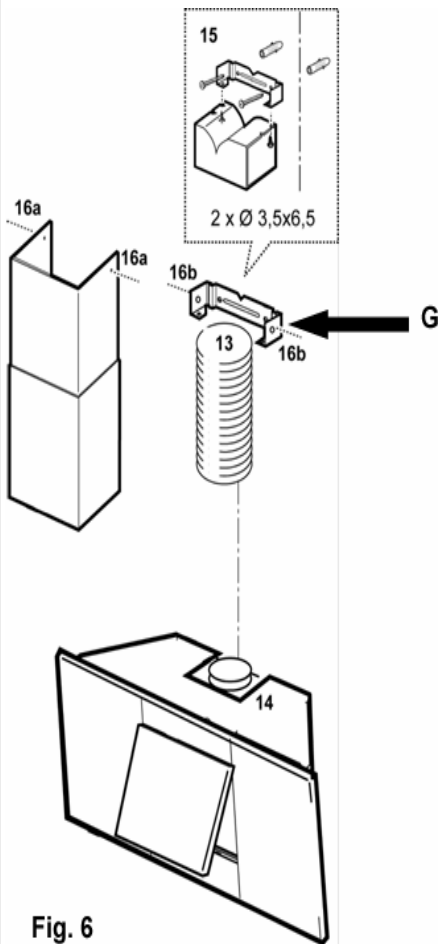
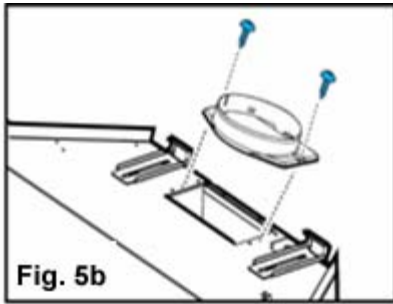


Fig. 6

- Apply the support bracket „G“ to the wall. Using the chimney support bracket as a guide, you should mark two holes with a pencil and then drill out these holes with an 8mm drill bit. Then insert two raw plugs. The small indentation found in the middle of the support bracket should coincide with the centre line previously marked on the wall.
- Fasten the support bracket „G“ to the wall with two 5 x 45mm screws (4).
- When fitting this appliance with a chimney section, it is possible to use the product in recirculation mode. However it is obligatory to fit a carbon filter (see page 12 for details on how to fit the carbon filter). If you are going to use the appliance in extractor mode, please see page 20.

Connecting to external ducting (Figure 5b)



- Install the flange supplied on the exit hole of the hood (5b).
- **(Figure 6)** Connect the ducting hose (13) to the flange and then connect the other end to the external vent. Please note that the ducting hose is not supplied with the cooker hood.
- **(Figure 6)** Apply the chimneys and fasten them on with two screws (16a) to the chimney support bracket „G“ (16b). Then make the lower part of the chimney slide into the suited part (14) on top of the main section of the cooker hood.
- Refit the grease filter and close the cover screen.
- As the product is being ducted externally, there is no need for a carbon filter to be fitted.

Electrical connection

- The electrical connection must correspond to the electrical requirement noted on the rating plate, which is placed inside the cooker hood. The appliance should be connected to the electrical supply. See page 14 for detailed information on the electrical connection.

Troubleshooting

If something has gone wrong with your Cooker Hood, checking against this chart might keep you from having to call for service.

| Symptom | Solution |
|---|---|
| <i>The cooker hood will not start!</i> | <ul style="list-style-type: none">• Check that the hood is connected to the electricity supply.• Check that the fan speed control is set properly. |
| <i>The cooker hood is not working effectively!</i> | <ul style="list-style-type: none">• The fan speed is not set high enough.• The grease filter is dirty.• The kitchen is not ventilated well enough.• If the hood is set for recirculation, check that the carbon filters have not expired.• If the hood is set for extraction, check that the ducting and outlets are not blocked. |
| <i>The cooker hood has switched off during operation!</i> | <ul style="list-style-type: none">• The safety cut-out device has been tripped.• Turn off the hob and then wait for the device to reset.• Note that if you have installed your cooker hood too low, this will happen. If it happens frequently, it will be damaged. |

Baumatic Ltd. Conditions of Guarantee

Dear Customer,

Your new Baumatic appliance comes complete with a free 12 month guarantee covering both parts and labour costs resulting from defective materials or workmanship.

Baumatic also gives you the opportunity to automatically extend the guarantee period for a further 12 months at no extra cost, giving an initial guarantee period of 24 months. The extended guarantee period applies to England, Scotland, Wales and Northern Ireland only.

To qualify for your full 24 months guarantee you **must** register your appliance within 28 days of purchase to be covered under this guarantee. This can be done online via: www.baumatic.co.uk or through returning the guarantee card which can be found in each new Baumatic appliance.

* In addition, your appliance is covered by a 5 year parts warranty. Baumatic Ltd will provide free of charge the parts required to repair the appliance, only if they are fitted by a Baumatic engineer, for any defect that arises due to faulty materials or workmanship within a period of 5 years from the original purchase date.

* An additional 1 to 3 year insurance scheme for labour is available should you wish to extend the warranty period.

Should any person other than an authorised representative of Baumatic Ltd interfere with the appliance, the policy is negated and Baumatic Ltd will be under no further liability.

The guarantee covers the appliance for normal domestic use only, unless otherwise stated.

Any claims made under the terms of the guarantee must be supported by the original invoice/bill of sale issued at the time of purchase.

This guarantee is transferable only with the written consent of Baumatic Ltd.

If the appliance fails and is considered either not repairable or uneconomical to repair during the manufacturer warranty period, a free of charge replacement will not be offered.

The guarantee for any replacement will only be for the remainder of the guarantee on the original product purchased.

The guarantee does not cover:

- Sinks and taps
- Failure to comply with the manufacturers instructions for use.
- The replacement of cosmetic components of accessories
- Accidental damage or wilful abuse.
- Subsequent loss or damage owing to the failure of the appliance or electrical supply
- Incorrect installation
- Losses caused by Acts of God, civil war, failure to obtain spare parts, strikes or lockouts
- Filters, fuses, light bulbs, external hoses, damage to bodywork, paintwork, plastic items, covers, baskets, trays, shelves, burner bases, burner caps, decals, corrosion, rubber seals.

In the course of the work carried out it may be necessary to remove the appliance from its operating position. Whilst all reasonable care will be taken, Baumatic Ltd cannot accept responsibility for damage sustained to any property whatsoever in this process.

This guarantee is in addition to and does not diminish your statutory or legal rights.

Contacting Baumatic Ltd

| Sales | Service | Spares | Technical/Advice |
|--------------------|--------------------|--------------------|------------------|
| TEL: 0118 933 6900 | TEL: 0118 933 6911 | TEL: 0118 933 6922 | 0118 933 6933 |
| FAX: 0118 931 0035 | FAX: 0118 986 9124 | FAX: 0118 933 6942 | 0118 933 6942 |

Thanks you for buying Baumatic.

* Applies to UK, Scotland, Wales & Northern Ireland only (Republic of Ireland has 1 year labour & 1 year parts warranty only)

Baumatic Ltd

Make-up for your kitchen

Headquarters

Baumatic Ltd.
Baumatic Buildings,
6 Bennet Road,
Reading,
Berkshire
RG2 0QX, United Kingdom

Sales Telephone
+44 118 933 6900

Sales Fax
+44 118 931 0035

Service Telephone
+44 118 933 6911

Service Fax
+44 118 986 9124

Spares Telephone
+44 118 933 6922

Technical / Advice Telephone
+44 118 933 6933

E-mail:

sales@baumatic.co.uk

technical@baumatic.co.uk

Http (Internet site):
www.baumatic.com

Baumatic UK/cod. 1230000666



Baumatic®

www.baumatic.com