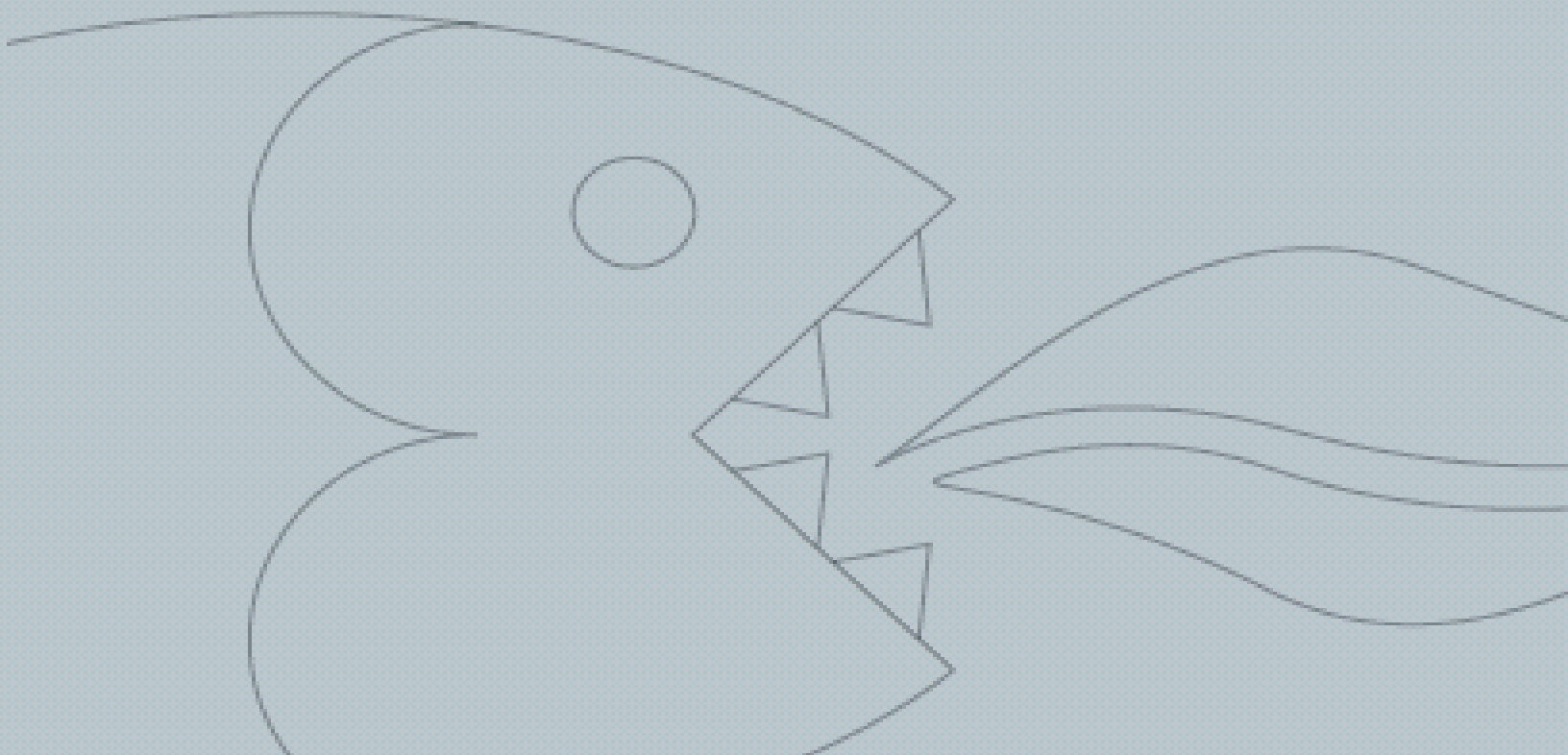


BT16SS

Cooker Hood

Instruction manual



User Manual for your Baumatic

BT16SS Cooker Hood

60cm Cooker Hood in Stainless Steel



You will be mine

NOTE: This User Instruction Manual contains important information, including safety & installation points, which will enable you to get the most out of your appliance. Please keep it in a safe place so that it is easily available for future reference; for you or any person not familiar with the operation of the appliance.

DD 27/09/06


Environmental note	4
IMPORTANT SAFETY INFORMATION	5 – 7
Specifications of your cooker hood	8
Using your Baumatic cooker hood	9
Cleaning your Baumatic cooker hood	10
The grease filter	10
Maintenance	11
Removing and cleaning the grease filter	11
Changing a light bulb	12
Fitting the carbon filters	13
Installation	14
Electrical connection	14 – 15
Before beginning installation	15 – 16
Installing your cooker hood	16
Connecting to external ducting (part 1)	17
Installing your cooker hood (part 2)	18 – 19
Connecting to external ducting (part 2)	19 - 20
Extraction mode or recirculation mode?	21
Troubleshooting	22
Baumatic Ltd. conditions of guarantee	23
Contact details	24

ENVIRONMENTAL NOTE

Note: Before discarding an old appliance, switch off and disconnect it from the power supply. Cut off and render any plug useless. Cut the cable off directly behind the appliance to prevent misuse. This should be undertaken by a competent person.

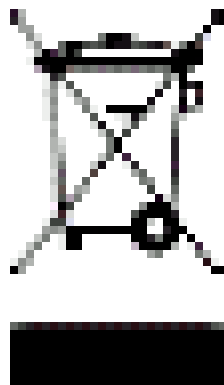
CONFORMITY TO W.E.E.E. DIRECTIVE

This appliance is marked according to the European directive 2002/96/EC on Waste electrical and Electronic Equipment (WEEE). By ensuring this product is disposed of correctly, you will help prevent potential negative consequences for the environment and human health, which could otherwise be caused by inappropriate waste handling of this product.

The symbol  on the product, or on the documents accompanying the product, indicates that this appliance may not be treated as household waste. Instead it shall be handed over to the applicable collection point for the recycling of electrical and electronic equipment.

Disposal must be carried out in accordance with local environmental regulations for waste disposal.

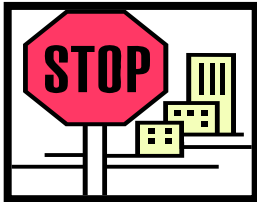
For more detailed information about treatment, recovery and recycling of this product, please contact your local city office, your household waste disposal service or the shop where you purchased the product.



IMPORTANT SAFETY INFORMATION



Your safety is of the utmost importance to Baumatic. Please make sure that you read this instruction booklet **before** attempting to install or use the appliance. If you are unsure of any of the information contained in this booklet, please contact the Baumatic Technical Department.



IMPORTANT: Any installation work must be carried out by a qualified electrician or competent person.

- The hood must be installed in accordance with the installation instructions and all measurements followed.
- If the cooker hood is installed for use above a gas appliance then the provision for ventilation must be in accordance with the Gas Safety Codes of Practice BS.6172, BS.5440 & BS.6891 (Natural Gas) and BS.5482 (LP Gas) 1994, the Gas Safety (Installation & Use) Regulations, the Building Regulations issued by the Department of the Environment, the Building Standards (Scotland) (Consolidated) Regulations issued by the Scottish Development Department.
- It is dangerous to alter the specifications or to modify this product in any way. Do not tamper with it or attempt to modify the appliance in any way.
- When installing the hood, ensure that the following recommended distances are being observed between the cooker top and the bottom of the cooker hood:

- **Electric cookers:** 700 mm
- **Gas cookers:** 700 mm
- **Coal/ oil cookers:** 800 mm



IMPORTANT: DO NOT SET YOUR COOKER HOOD LESS THAN 700mm ABOVE YOUR COOKER.

- When installed between adjoining wall cabinets, the cabinets must not overhang the hob.

- The edges of the cooker hood are sharp – be mindful of this as you handle your appliance, especially during installation and cleaning. **DO NOT CLEAN IN BEHIND THE GREASE FILTERS!**
- If the room where the cooker hood is to be used contains a fuel burning appliance such as a central heating boiler then its flue must be of the sealed or balanced flue type.
- If other types of flue or appliances are fitted, ensure that there is an adequate supply of air in the room.
- When the hood is being used in its extractor function, ensure that the ducting is fire retardant and that there are no bends sharper than 90 degrees as this will reduce the efficiency of the hood.
- Ensure the ducting for the extractor function has the same diameter as the outlet hole all the way through.

- Keep young children from using, playing with or tampering with the cooker hood. Older children and infirm persons should be supervised if they are using the cooker hood.



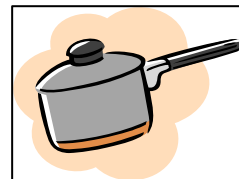
- Your cooker hood is for domestic use only.



- Please dispose of the packing material carefully – children are especially vulnerable to it.
- Dirty oil is an even greater fire risk.



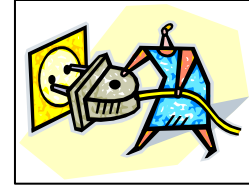
- Always put lids on pots and pans when cooking on a gas cooker.



- The manufacturer refuses to accept any responsibility for damages arising to the hood or it catching on fire from failure to observe fire safety advice in these instructions.

- Remember that when in extraction mode, your cooker hood is removing air from your room. Ensure that proper ventilation measures are being observed. **Note that it removes odours from your room, not steam.**

- **Warning - Always ensure that the cooker hood has been disconnected from the power supply before carrying out any work on the hood, including replacing light bulbs.**



- Do not connect the ducting system of this appliance to any existing ventilation system which is being used for any other purpose.

- Do not install above a cooker with a high level grill.

- Never leave frying pans unattended during use as overheated fats and oils might catch fire.



- Do not leave naked flames under the cooker hood.

- Do not attempt to use the cooker hood if it is damaged in any way. Never attempt to use it without the grease filters fitted or if the filters are excessively greasy!

- Never flambé cook under this cooker hood.

THE MANUFACTURER DECLINES ALL RESPONSIBILITY IN THE EVENT OF FAILURE TO OBSERVE THE INSTRUCTIONS GIVEN HERE, FOR INSTALLATION, MAINTENANCE AND SUITABLE USE OF THE HOOD.



Specifications of your cooker hood

Congratulations on purchasing a Baumatic Cooker Hood!

DIMENSIONS:

Width	600 mm
Depth	500 mm
Height	160 mm

Your stainless steel Cooker Hood is fitted with:

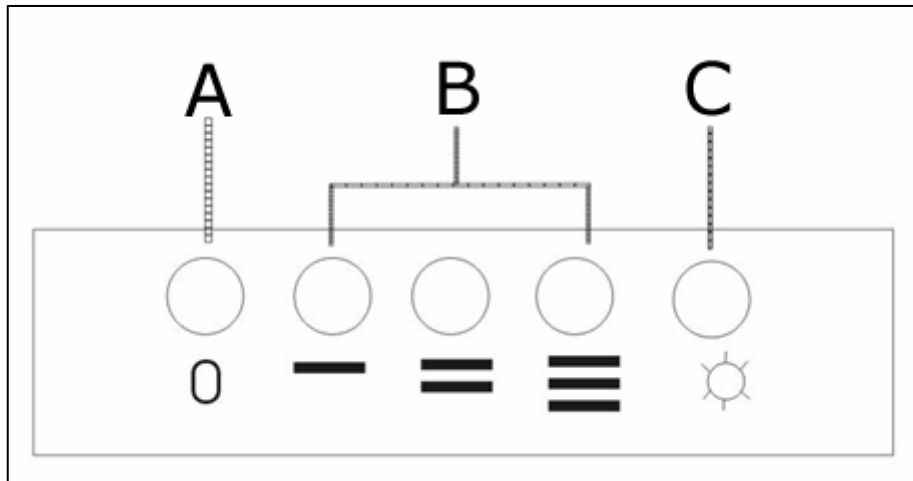
- Push button control
- 3 Speeds
- 2 Metallic grease filters
- 1 light

Extraction capacity: 290 m³/hr

Noise level min/max: 48 – 52 dB

Optional Extra: 1 x UCF1 carbon filter for air recirculation mode (available from the Baumatic Spares Department).

Using your Baumatic cooker hood



To use your cooker hood

- Make sure that it has been installed by a suitably qualified person, as per the information contained in Baumatic's installation instructions.
- Find the control panel, which is located at the front right of the canopy.
- There are several buttons on the control panel, which perform separate functions.
- **A** = Motor off button
- **B** = Motor on buttons

— = Low speed

== = Medium speed

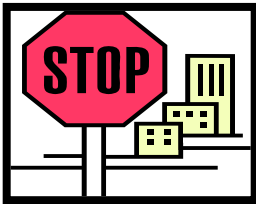
=== = High speed

- **C** = Light on/off button



IMPORTANT: IDEALLY YOU SHOULD TURN ON YOUR HOOD TEN MINUTES BEFORE YOU START TO COOK. OR AT THE VERY LEAST WHEN YOU BEGIN COOKING. YOU SHOULD ALSO RUN YOUR HOOD FOR TEN MINUTES AFTER YOU HAVE FINISHED COOKING.

Cleaning your Baumatic cooker hood



IMPORTANT: BEFORE CLEANING, ALWAYS ENSURE THAT YOU HAVE SWITCHED YOUR COOKER HOOD OFF AT THE OMNI-POLAR SWITCH, SET AT THE WALL FROM THE CABLE.

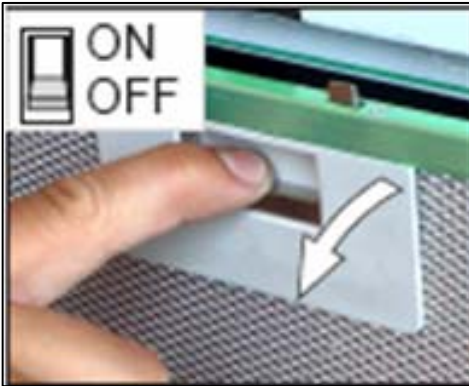
Cleaning

- Clean the external parts of your cooker hood with mild liquid detergent and a new damp cloth.
- Never use abrasive powder, corrosive solvents or brushes.
- Never insert pointed objects into the motor's protective grid.
- Only clean the control panel and grease filter grill with mild liquid detergents and a new damp cloth.
- If you are using the appliance in recirculation mode, then be sure to replace the carbon filter at the recommended interval (see section on "Fitting the carbon filter"). A build up of grease could cause a fire hazard.
- Never attempt to clean the area above the grease filters.

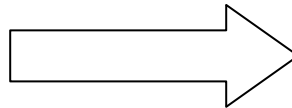
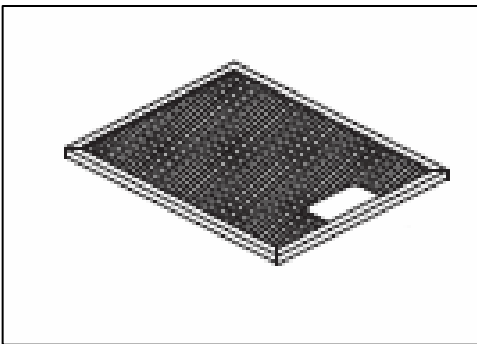
The grease filter

- Your cooker hood includes a grease filter which helps to absorb grease particles to protect your kitchen & furniture from greasy residues.
- This metallic filter may become inflammable if it becomes saturated with this greasy residue.
- To prevent this fire hazard, the filter should be cleaned regularly. Depending on use, this should be done every 10-15 days or at least once a month, using hot water and normal washing-up detergent.
- **DO NOT WASH THE GREASE FILTER IN A DISHWASHER.**

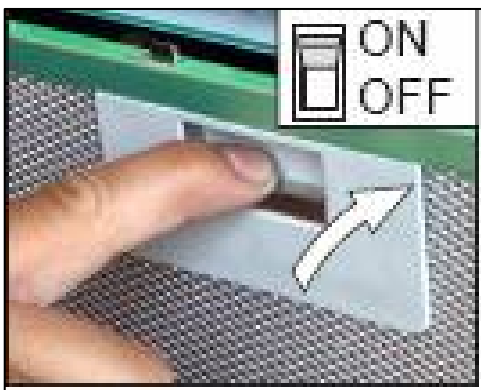
Removing and cleaning the grease filter



- First remove the grease filter by pulling down on it.
- Undo the side catches.

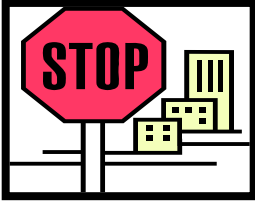


- Soak the grease filter in hot water and washing up liquid for about an hour.
- Rinse them off thoroughly with hot water.
- Repeat the process if required.



- Refit the grease filters once they have dried.
- **IMPORTANT:** Let the grease filters dry thoroughly before refitting them in the cooker hood.

Changing a light bulb

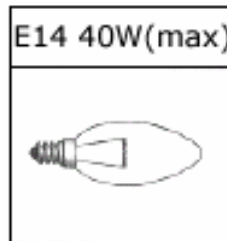


IMPORTANT: BEFORE ATTEMPTING TO CHANGE A LIGHT BULB, YOU MUST ENSURE THAT YOU HAVE DISCONNECTED THE COOKER HOOD FROM YOUR MAINS SUPPLY.



- Remove the grease filters (as described on page 11).

- Prior to touching the light bulbs ensure they are cooled down.
- Find the bulb that requires replacement, you will find it located in the light fixture which is inside the exposed section of the canopy.



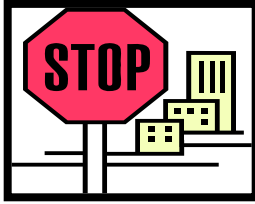
- Unscrew the light bulb that needs to be replaced and insert a new E14 40W (max) bulb.
- **IMPORTANT:** Defective bulbs should be replaced immediately.
- If the lights still do not work, make sure that the lamps are fitted properly into their housings before you call for technical assistance.



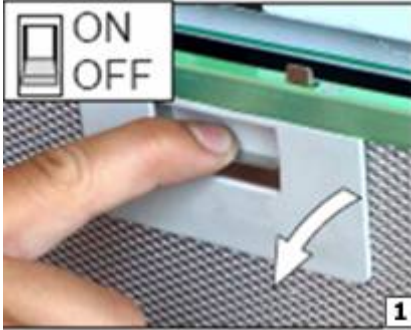
- Refit the grease filters.

Fitting the carbon filter

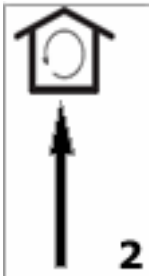
If the appliance is being used to be used in recirculation mode then it is necessary to fit carbon filters. This will help to absorb unpleasant odours caused by cooking.



IMPORTANT: BEFORE ATTEMPTING TO FIT OR REMOVE THE CARBON FILTERS, YOU MUST ENSURE THAT YOU HAVE DISCONNECTED THE COOKER HOOD FROM YOUR MAINS SUPPLY.



1) Remove the grease filters.



2) Turn the switch on the motor to recirculation mode before fitting the carbon filter. The position of the switch is shown in diagram 3.



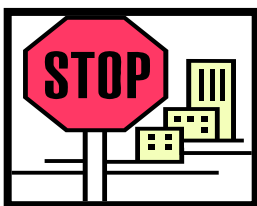
3) Hook the carbon filter over the pins that are on either side of the motor.



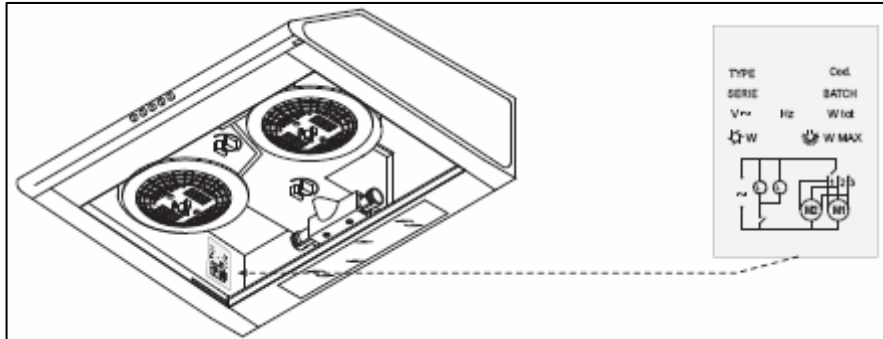
4) Turn the carbon filter anticlockwise, until you feel it click into place.

- Refit the grease filters.
- The carbon filters should be replaced every three months or if they show signs of damage.

Installation



IMPORTANT: Before installation and usage, read all the instructions and make sure that the voltage (V) and the frequency (Hz) indicated on the rating plate are exactly the same as the voltage and frequency in your home. The rating plate can be found behind the grease filters.



The manufacturer declines all responsibility in the event of the installer failing to observe all the accident prevention regulations in force, which are necessary for normal use and the regular operation of the electric system.

Electrical connection

YOUR COOKER HOOD IS INTENDED FOR FITTED AND PERMANENT INSTALLATION.



- The power cable must be connected to the terminals marked L (live) and N (neutral) in the hood and fixed with a cable clamp.
- The cooker hood's power cable must be fitted upstream from the electrical connection, using an omni-polar switch with a contact distance of at least 3 mm.

WARNING: THIS APPLIANCE MUST NOT BE EARTHED. It should only be connected by a competent person, using fixed wiring via a double pole switched fused spur outlet. **(UK ONLY)**.

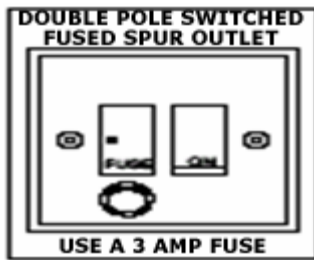


We recommend that the appliance is connected by a qualified electrician, who is a member of the N.I.C.E.I.C. and who will comply with the I.E.E. and local regulations. The wires in the mains lead are coloured in accordance with the following UK code:

Blue = Neutral
Brown = Live

You will only find two wires in the main's lead (blue and brown), neither must be connected to the earth terminal.

- As the colours of the wires in the appliance's mains lead may not correspond with the coloured markings identifying the terminals in your spur box, please proceed as follows:



- The **blue wire** must be connected to the terminal marked "N" (neutral), or coloured **black**.
- The **brown wire** must be connected to the terminal marked "L" (live), or coloured **red**.

Before beginning installation

- Check that the product purchased is of a suitable size for the chosen installation area. In addition check whether there is an electrical socket available that will be accessible once the hood is mounted. If the product is going to be used in extraction mode, then there should also be space to connect a ducting hose to the outside.
- Carry out all necessary masonry work prior to the fitting of the cooker hood.
- Ensure that all electrical connections are carried out by a suitably qualified person.
- Before commencing installation of the cooker hood the grease filter should be removed.
- Check inside the product and insure that there is no transit packaging or any other materials, such as packets of screws, guarantees etc. These should be removed and kept for future use.
- If possible, disconnect and move freestanding or slot-in cookers from their position, to provide easier access to the rear wall and ceiling. If this is not possible, then a thick, protective covering should be placed over the worktop, hob top or cooker. This will help to protect these surfaces from damage and debris.
- Select a flat surface for assembling the cooker hood. Cover that surface with a protective covering and place all cooker hood parts and fittings on it.

- In addition check whether there is an electrical socket available, which will be accessible after the hood is mounted. If you are going to use the appliance in extractor mode, you should also ensure that there is space to connect a fumes discharge device to the outside.
- Raw plugs are provided to secure the hood to most types of walls and ceilings. However a qualified technician must verify the suitability of the materials, in accordance with the type of wall and ceiling. The wall and ceiling must be strong enough to take the weight of the hood.
- Do not tile, grout or silicone this appliance to the wall. This appliance is designed to be surface mounted only.

Installing your cooker hood



IMPORTANT: YOU WILL HAVE TO DECIDE BEFORE INSTALLING YOUR COOKER HOOD WHETHER TO USE IT IN EXTRACTION MODE OR RECIRCULATION MODE. PLEASE TURN TO PAGE 21 NOW TO UNDERSTAND THE DIFFERENCES BETWEEN THESE TWO MODES.

- The cooker hood should not be exposed to a direct heat source from the cooking device underneath it, i.e. naked flame from a gas burner or heat from electric hob zones without a pan on them.
- We recommend that at least two people install this hood.
- The lights on this appliance should only be used during operation of the cooker hood. They should not be left on permanently and used as a lighting source.

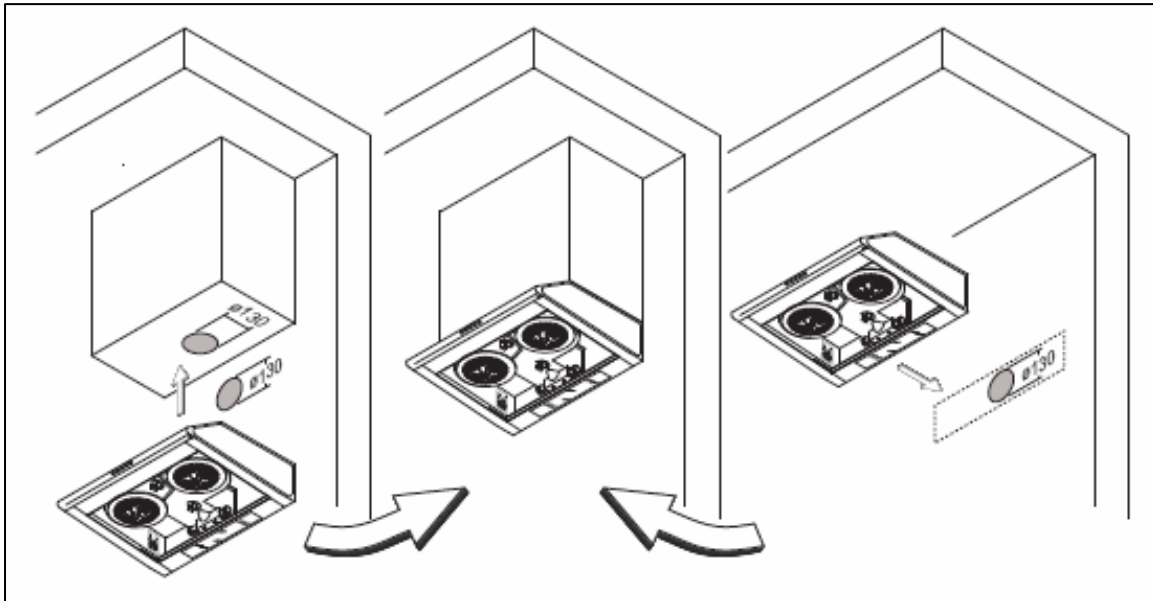
IMPORTANT: YOUR COOKER HOOD SHOULD BE CONNECTED TO YOUR MAINS SUPPLY AFTER THE REST OF THE INSTALLATION PROCESS HAS BEEN COMPLETED.




1) Remove the metal grease filters.

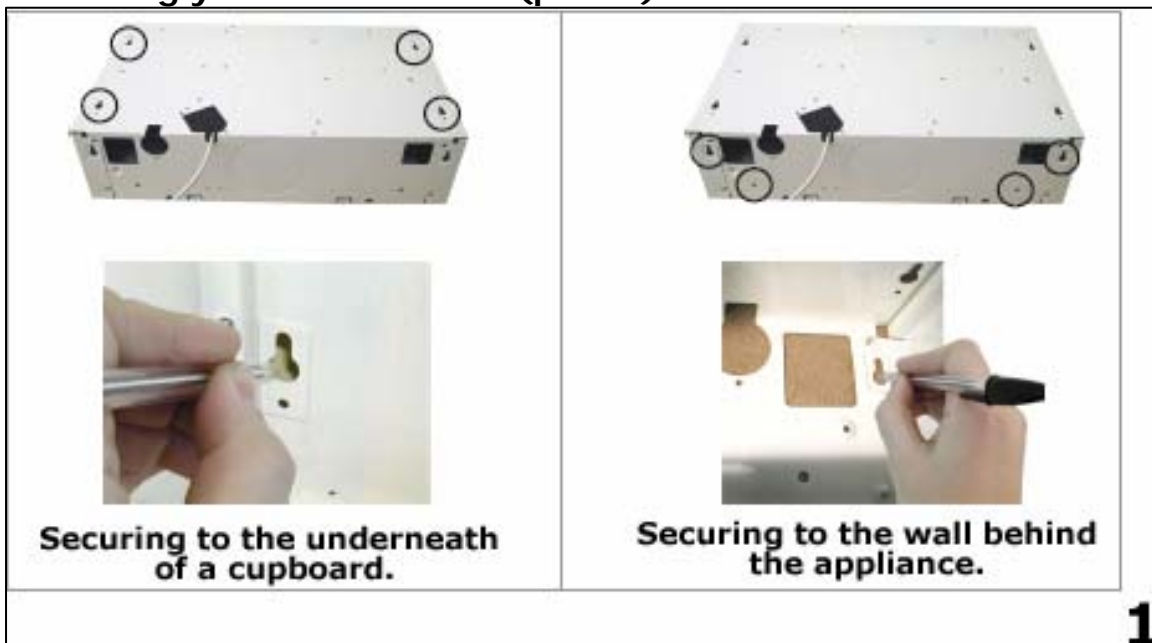
Connecting to external ducting (part 1)

IMPORTANT: If you are going to duct your product externally, then you must follow these steps before following the rest of the installation instructions.



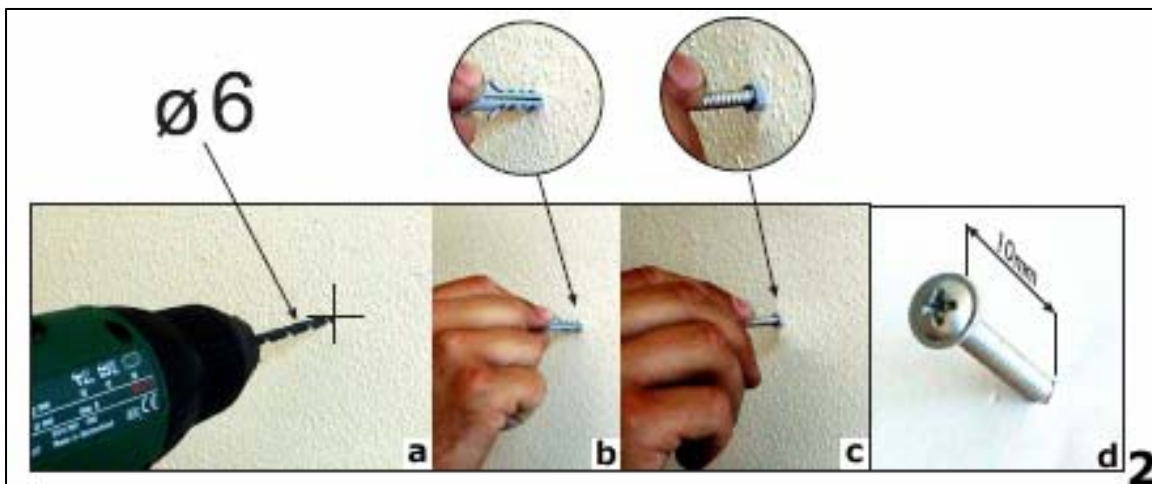
- Place the hood against the wall that you are going to install it on and mark the position of the exhaust hole. This hole needs to be 130 mm in diameter. Please note that the vent hose can either be connected to the rear of the appliance or to the top. (See above diagram).
- Cut out the 130 mm diameter circle that you have just marked.
- Turn the switch on the motor to extraction mode. Extraction mode is indicated by the  symbol.
- You should now continue following the installation instructions given below. Please note that there are additional steps that need to be followed later in these instructions, to connect your hood to external ducting.

Installing your cooker hood (part 2)



1) Place the hood against the wall and mark the positions for the supporting bracket bolt holes.

- The hood can either be secured to the underneath of a cupboard or secured to the wall behind the hood.
- You should mark the holes that are relevant to the installation that you are going to complete.

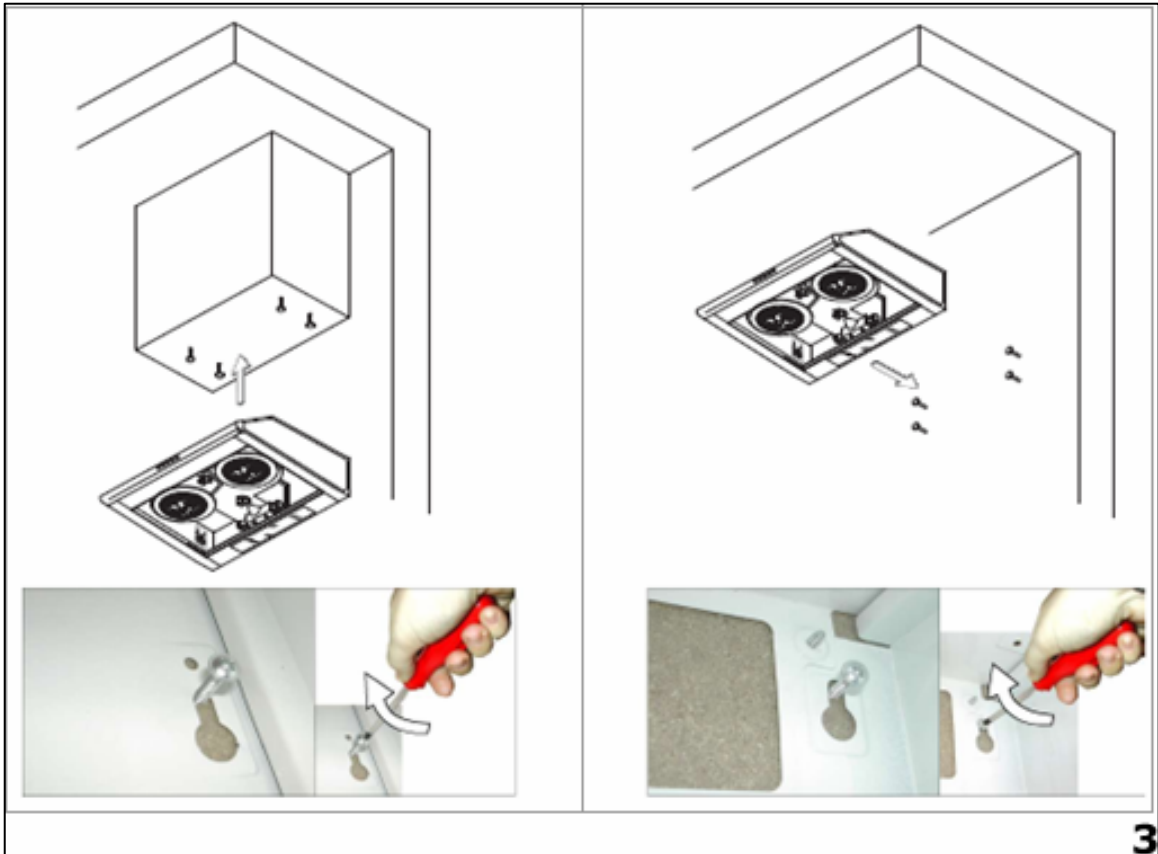


2a) Using a drill bit with a 6 mm diameter, make holes in the cupboard/in the wall on the positions that you have marked in step 1.

2b) Insert rawplugs into all of the holes that you have drilled.

2c) Fasten the upper support screws halfway in.

2d) Leave the upper support screws 10 mm out of the wall.



3) Hang the cooker hood on the upper support screws and then insert the bottom support screws.

IMPORTANT: For external ducting, please refer to the section below, before fully tightening the support screws.

- Fully tighten the top and bottom support screws.

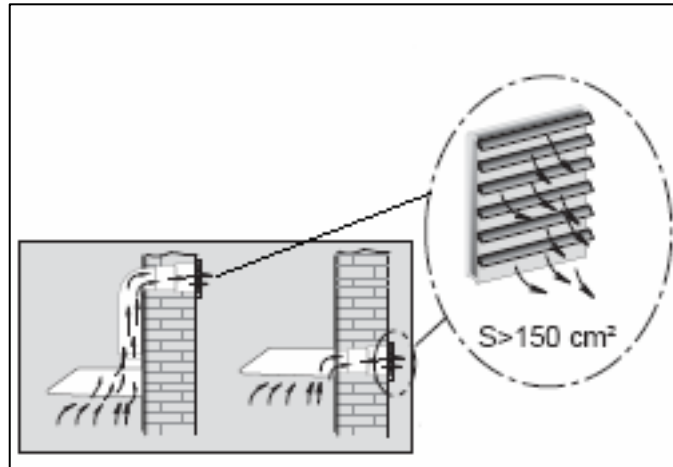
Connecting to external ducting (part 2)

Your hood will be set up so that the ducting hose collar and ducting hose can be connected to the hole in the top of the hood.



- If you wish to run the ducting hose from the top of the appliance, place the ducting hose collar in the hole on the top of the hood.

- Connect a 125 mm ducting hose to the ducting hose collar (please note that the ducting hose is not supplied with the appliance).



- The other end of the ducting hose should be connected to your discharge outlet that is suitable for cooking vapours. It should have a cross section of at least 150 cm².
- The maximum distance between the coupling and your discharge outlet should be 3 metres, with one 90 degree bend.

If you wish to connect your ducting hose to the back of the hood, then you will need to do the following:



- Push out the blanking plate in the back of the appliance and place it in the hole on the top of the appliance. You should then follow the steps outlined above to connect the ducting hose to the product.

IMPORTANT: Once you have completed the fitting of the ducting hose, you must secure all four of the support screws to secure the cooker hood to the wall/to the cupboard.

Electrical connection

The electrical connection must correspond to the electrical requirement noted on the rating plate, which is placed inside the cooker hood. The appliance should be connected to the electrical supply. See page 14 – 15 for detailed information on the electrical connection.

Extraction mode or recirculation mode?

What is the difference between extraction and recirculation modes?

To get optimum performance from your cooker, the air will be taken out of the room via external ducting.

Unfortunately if you live in a flat or the hood is too far from an outside wall, this may not be possible. The only alternative is to recirculate the air.

In recirculation mode stale air is taken via the grease filter, and passed through a charcoal filter for purification. The air then re-enters the kitchen via an opening in the hood.

What is a charcoal filter and do I need one?

All cooker hoods have a grease filter but if you are using your cooker hood in recirculation mode, then a charcoal filter must be fitted in addition to the grease filter.

Troubleshooting

IMPORTANT: If your cooker hood appears not to be operating properly, before contacting the Baumatic Service Department, please refer to the checklist below.



My cooker hood will not start.

- Check that the hood is connected to the electricity supply
- Check that the fan speed control is set correctly.



My cooker hood is not working effectively.

- The fan speed is not set high enough
- The grease filter is dirty and requires cleaning.
- The kitchen is not well ventilated enough.
- If the hood is set up for recirculation mode, check that the carbon filters do not need replacing.
- If the hood is set up for extraction mode, check that the ducting hose and discharge outlet are not blocked.



My cooker hood has switched off during operation.

- The safety cut-out device has been tripped.
- Turn off the hob and then wait for the safety cut-out device to reset.
- **IMPORTANT:** If you have installed your cooker hood too low, the safety cut-out device will frequently trip. Your cooker hood may become damaged if the safety cut-out device is tripped frequently.

DO NOT MAKE ANY ATTEMPT TO REPAIR THE APPLIANCE YOURSELF. IF THE APPLIANCE IS STILL NOT OPERATING CORRECTLY, PLEASE CONTACT THE BAUMATIC SERVICE DEPARTMENT ON TELEPHONE NUMBER (0118) 933 6911.

Baumatic Ltd. Conditions of Guarantee

Dear Customer,

Your new Baumatic appliance comes complete with a free 12 month guarantee covering both parts and labour costs resulting from defective materials or workmanship.

Baumatic also gives you the opportunity to automatically extend the guarantee period for a further 12 months at no extra cost, giving an initial guarantee period of 24 months. The extended guarantee period applies to England, Scotland, Wales and Northern Ireland only.

To qualify for your full 24 months guarantee you **must** register your appliance within 28 days of purchase to be covered under this guarantee. This can be done online via: www.baumatic.co.uk or through returning the guarantee card which can be found in each new Baumatic appliance.

* In addition, your appliance is covered by a 5 year parts warranty. Baumatic Ltd will provide free of charge the parts required to repair the appliance, only if they are fitted by a Baumatic engineer, for any defect that arises due to faulty materials or workmanship within a period of 5 years from the original purchase date.

* An additional 1 to 3 year insurance scheme for labour is available should you wish to extend the warranty period.

Should any person other than an authorised representative of Baumatic Ltd interfere with the appliance, the policy is negated and Baumatic Ltd will be under no further liability.

The guarantee covers the appliance for normal domestic use only, unless otherwise stated.

Any claims made under the terms of the guarantee must be supported by the original invoice/bill of sale issued at the time of purchase.

This guarantee is transferable only with the written consent of Baumatic Ltd.

If the appliance fails and is considered either not repairable or uneconomical to repair during the manufacturer warranty period, a free of charge replacement will not be offered.

The guarantee for any replacement will only be for the remainder of the guarantee on the original product purchased.

The guarantee does not cover:

- Sinks and taps
- Failure to comply with the manufacturers instructions for use.
- The replacement of cosmetic components of accessories
- Accidental damage or wilful abuse.
- Subsequent loss or damage owing to the failure of the appliance or electrical supply
- Incorrect installation
- Losses caused by Acts of God, civil war, failure to obtain spare parts, strikes or lockouts
- Filters, fuses, light bulbs, external hoses, damage to bodywork, paintwork, plastic items, covers, baskets, trays, shelves, burner bases, burner caps, decals, corrosion, rubber seals.

In the course of the work carried out it may be necessary to remove the appliance from it operating position. Whilst all reasonable care will be taken, Baumatic Ltd cannot accept responsibility for damage sustained to any property whatsoever in this process.

This guarantee is in addition to and does not diminish your statutory or legal rights.

Contacting Baumatic Ltd

Sales	Service	Spares	Technical/Advice
TEL: 0118 933 6900	TEL: 0118 933 6911	TEL: 0118 933 6922	0118 933 6933
FAX: 0118 931 0035	FAX: 0118 986 9124	FAX: 0118 933 6942	0118 933 6942

For ROI (Republic of Ireland), please contact one of the numbers below:

TEL: 01 – 6266798 FAX: 01 - 6266634

Thanks you for buying Baumatic.

* Applies to UK, Scotland, Wales & Northern Ireland only (Republic of Ireland has 1 year labour & 1 year parts warranty only)

Baumatic Ltd

You will be mine

Headquarters

Baumatic Ltd.
Baumatic Buildings,
6 Bennet Road,
Reading,
Berkshire
RG2 0QX, United Kingdom

Sales Telephone
+44 118 933 6900

Sales Fax
+44 118 931 0035

Service Telephone
+44 118 933 6911

Service Fax
+44 118 986 9124

Spares Telephone
+44 118 933 6922

Technical / Advice Telephone
+44 118 933 6933

E-mail:

sales@baumatic.co.uk

technical@baumatic.co.uk

Http (Internet site):
www.baumatic.com



Baumatic®

www.baumatic.com