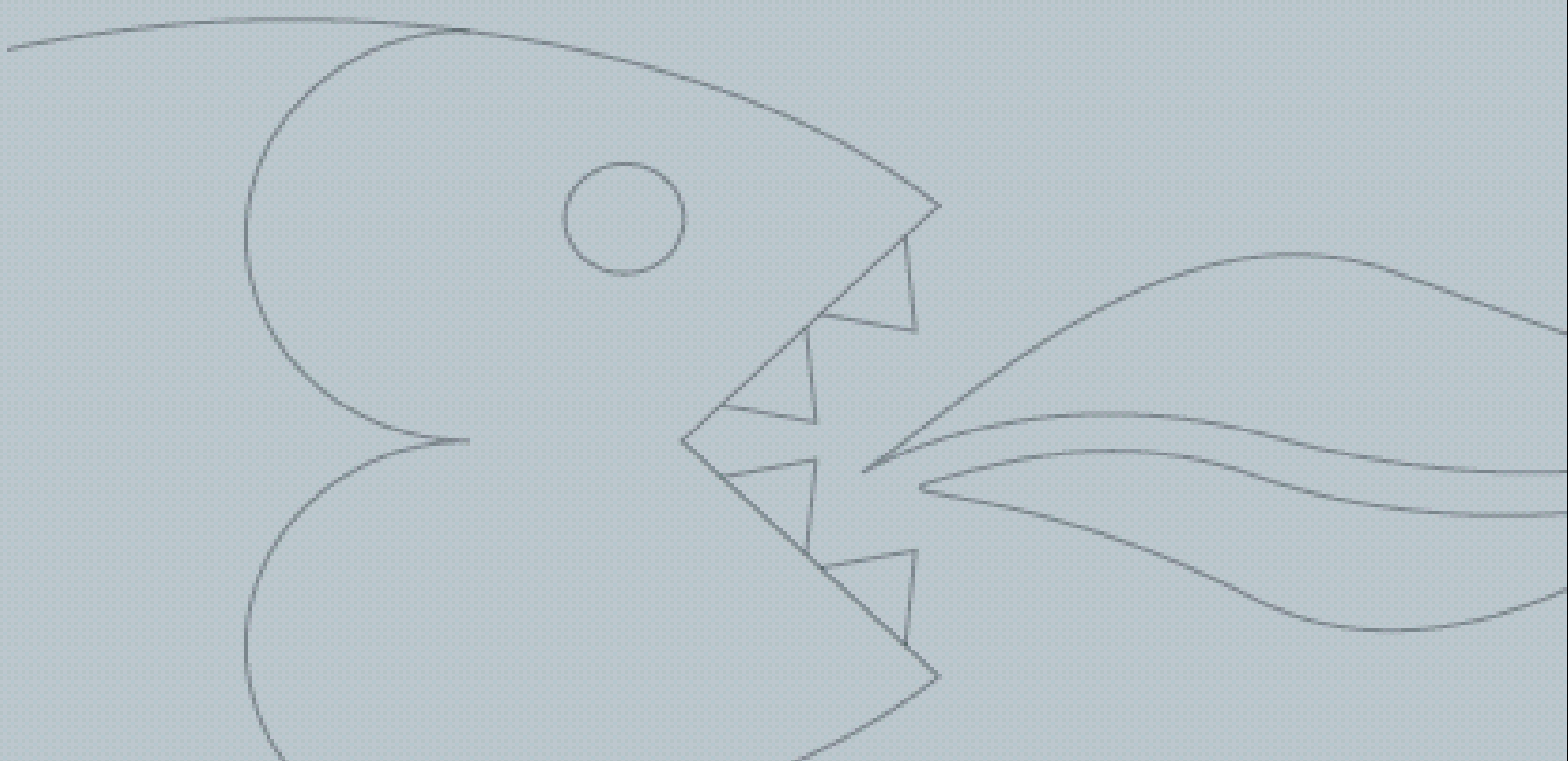


# BTM25.1SS

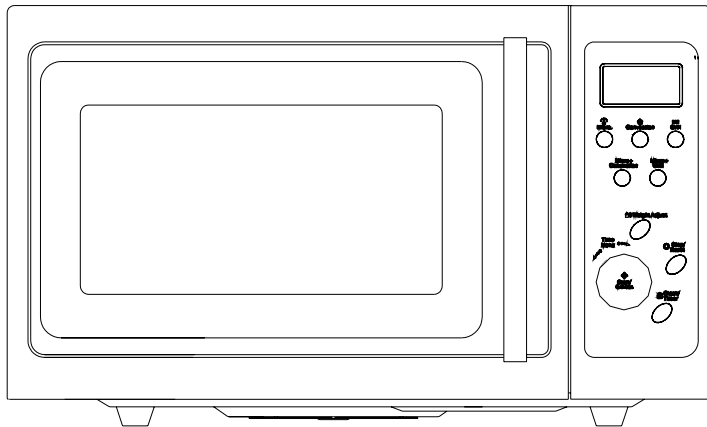
Instruction manual



**BTM25 .1SS**

# **Baumatic**

## **BTM25.1SS Convection Microwave Oven**



## **Instruction Manual**

### **A NOTE TO YOU**

Thank you for buying a Baumatic appliance.

Baumatic appliances are easy to use, save time, and help you manage your home better.

This manual contains valuable information about how to operate and maintain your Microwave properly and safely.

Please read it carefully.



## **WARNING!**

### **Precautions to avoid possible exposure to excessive Microwave Energy:**

- 1) **Do not** attempt to operate this oven with the door open since this can result in harmful exposure to microwave energy. It is important not to damage or tamper with the safety interlocks.
- 2) **Do not** place any object between the oven front face and the door or allow soil or cleaner residue to accumulate on sealing surfaces.
- 3) **Do not** operate the oven if it is damaged. It is particularly important that the oven door close properly and that there is no damage to the:
  - a. Door (bent),
  - b. Hinges and latches (broken or loosened),
  - c. Door seals and sealing surfaces.
- 4) The oven **should not** be adjusted or repaired by anyone except properly qualified service personnel.



**PLEASE- ONLY HAVE A QUALIFIED PERSON INSTALL THIS APPLIANCE, ALL, REPAIRS MUST ONLY BE CARRIED OUT BY A BAUMATIC ENGINEER OR ITS AUTHORISED AGENTS OTHERWISE THIS WILL INVALIDATE YOUR WARRANTY.**

## **TABLE OF CONTENTS**

<b>MICROWAVE SPECIFICATIONS</b> .....	5
<b>INSTALLING YOUR OVEN</b> .....	5
<b>GROUNDING INSTRUCTIONS</b> .....	6
<b>RADIO INTERFERENCE</b> .....	6
<b>IMPORTANT SAFETY INSTRUCTIONS</b> .....	7
<b>MICROWAVE COOKING PRINCIPLES</b> .....	9
<b>UTENSILS GUIDE</b> .....	9
<b>MICROWAVE PART NAMES</b> .....	11
<b>CONTROL PANEL</b> .....	12
<b>HOW TO SET THE OVEN CONTROLS</b> .....	13
<b>MICROWAVE COOKING</b> .....	14
<b>USING THE GRILL</b> .....	15
<b>CONVECTION</b> .....	15
<b>MICROWAVE + GRILL</b> .....	16
<b>MICROWAVE + CONVECTION</b> .....	17
<b>SPEED DEFROST (WEIGHT ADJUST)</b> .....	17
<b>AUTO-MENU SETTINGS</b> .....	18
<b>OTHER CONVENIENT FEATURES</b> .....	19
<b>CLEANING AND CARE</b> .....	21
<b>BEFORE YOU CALL FOR SERVICE</b> .....	22

## MICROWAVE SPECIFICATIONS

<b>Power Consumption:</b>	230V, 50Hz, 1400W (Microwave) 850W (Convection) 1200W
<b>Rated Microwave Power Output:</b>	900W
<b>Operation Frequency:</b>	2450MHz
<b>Outside Dimensions:</b>	310mm(H)x508mm(W)x458mm(D)
<b>Oven Cavity Dimensions:</b>	210mm(H)x338mm(W)x348mm(D)
<b>Oven Capacity:</b>	25Litres
<b>Cooking Uniformity:</b>	Turntable System { $\Phi$ 314mm }
<b>Net weight:</b>	Approx. 22Kg

## INSTALLING YOUR OVEN

- 1) Make sure that all the packing materials are removed from the inside of the door.
- 2) **WARNING:** Check the oven for any damage: such as misaligned or bent doors, damaged door seals or sealing surfaces, broken or loose door hinges and latches. Also dents inside the cavity or on the door. If there is any damage, do not operate the oven and contact qualified service personnel.
- 3) The microwave oven must be placed on a flat, stable surface to hold its weight and the heaviest food likely to be cooked in the oven.
- 4) Do not place the oven where heat, moisture, or high humidity are generated, or near combustible materials.
- 5) For correct operation, the oven must have sufficient airflow. Allow 20cm of space above the oven, 10 cm at back and 5cm at both sides. Do not cover or block any openings on the appliance. Do not remove the feet.
- 6) Do not operate the oven without the glass tray, roller support, and shaft in their proper positions.
- 7) Make sure that the power supply cord is undamaged and does not run under the oven or over any hot or sharp surface.
- 8) The socket must be readily accessible so that it can be easily unplugged in an emergency.
- 9) Do not use the oven outdoors.

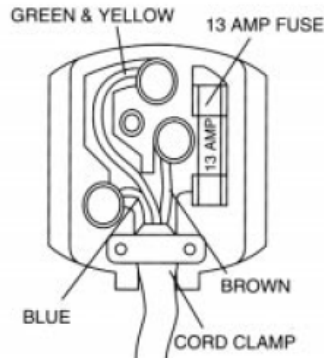
## **GROUNDING INSTRUCTIONS**

**PLEASE NOTE:** This appliance must be grounded. This oven is equipped with a cord with a grounding wire and a grounding plug. It must be plugged into a wall receptacle that is properly installed and grounded. In the event of an electrical short circuit, grounding reduces risk of electrical shock by providing an escape wire for the electric current. It is recommended that a separate circuit serving only the oven be provided. **Using a high voltage is dangerous and may result in a fire or other accident causing oven damage.**

**WARNING:** Improper use of the grounding plug can result in a risk of electric shock.

**Note:**

- If you have any questions about the grounding or electrical instructions, consult a **qualified electrician or service person**.
- Neither the manufacturer nor the dealer can accept any liability for damage to the oven or personal injury resulting from failure to observe the electrical connection procedures.
- The wires in this cable main are colored in accordance with the following code:  
**Green & Yellow= EARTH**  
**Blue= NEUTRAL**  
**Brown= LIVE**



## **RADIO INTERFERENCE**

Operation of the microwave oven can cause interference to your radio, TV, or similar equipment.

When there is interference, it may be reduced or eliminated by taking the following measures:

1. Clean door and sealing surface of the oven.
2. Reorient the receiving antenna of your radio or television.
3. Relocate the microwave oven with respect to the receiver.
4. Move the microwave oven away from the receiver.
5. Plug the microwave oven into a different outlet so that the oven and receiver are on different branch circuits.

## **IMPORTANT SAFETY INSTRUCTIONS**



**When using the electrical appliance basic safety precautions should be followed, including the following.**

**To reduce the risk of burns, electric shock, fire, injury to persons or exposure to excessive microwave energy:**

- 1) Read all instructions before using the appliance.
- 2) Use this appliance only for its intended use as described in this manual. Do not use corrosive chemical or vapours in this appliance. This type of oven is specifically designed to heat, cook or dry food. It is not designed for industrial or laboratory use.
- 3) Do not operate the oven when empty.
- 4) Do not operate this appliance if it has a damaged cord or plug, if it is not working properly or if it has been damaged or dropped. If the supply cord is damaged, it must be replaced by the manufacturer or its service agent or a similarly qualified person in order to avoid a hazard.

**WARNING:** only allow children to use the oven without supervision when adequate instructions have been given so that the child is able to use the oven in a safe way and understands the hazards of improper use.

- 5) To reduce the risk of fire in the oven cavity:
  - a. When heating food in plastic or paper containers, keep an eye on the oven due to the possibility of ignition;
  - b. Remove wire twist-ties from paper or plastic bags before placing bag in oven.
  - c. If smoke is observed, switch off or unplug the appliance and keep the door closed in order to stifle any flames.
  - d. Do not use the cavity for storage purposes. Do not leave paper products, cooking utensils or food in the cavity when not in use.

**WARNING:** Liquid or other food must not be heated in sealed containers since they are liable to explode.

- 6) Microwave heating of beverages can result in delayed eruptive boiling; therefore care has to be taken when handling the container.
- 7) Do not fry food in the oven. Hot oil can damage oven parts utensils and even result in skin burns.

## **IMPORTANT SAFETY INSTRUCTIONS – CONT:**

8) Eggs in their shell and whole hard boiled eggs should not be heated in microwave ovens as they may explode even after microwave heating has ended.

9) Pierce foods with heavy skins such as potatoes, whole squashes, apples and chestnuts before cooking.

10) The contents of feeding bottles and baby jars should be stirred and shaken and the temperature should be checked before serving in order to avoid burns.

11) Cooking utensils may become hot because of heat transferred from the heated food. Potholders may be needed to handle the utensil.

12) Utensils should be checked to ensure that they are suitable for use in a microwave oven.

**WARNING:** It is hazardous for anyone other than a trained person to carry out any service or repair operation which involves the removal of any cover which gives protection against exposure to microwave energy.

13) Group 2 ISM equipment: group2 contains all ISM equipment in which radio-frequency energy is intentionally generated and/or used in the form of electromagnetic radiation for the treatment of material, and spark erosion equipment, e.g. Domestic microwave ovens are mentioned inside this scope under Annex. Class B equipment is suitable for use in domestic establishments directly connected to a low voltage power supply network which supplies buildings used for domestic purposes.



## **MICROWAVE COOKING PRINCIPLES**

- Arrange food carefully. Place thickest areas towards outside of dish.
- Watch cooking time. Cook for the shortest amount of time indicated and add more as needed. Food severely overcooked can smoke or ignite.
- Cover foods while cooking. Covers prevent spattering and help foods to cook evenly.
- Turn foods over once during microwaving to speed cooking of such foods as chicken and hamburgers. Large items like roasts must be turned over at least once.
- Rearrange foods such as meatballs halfway through cooking both from top to bottom and from the centre of the dish to the outside.

## **UTENSILS GUIDE**

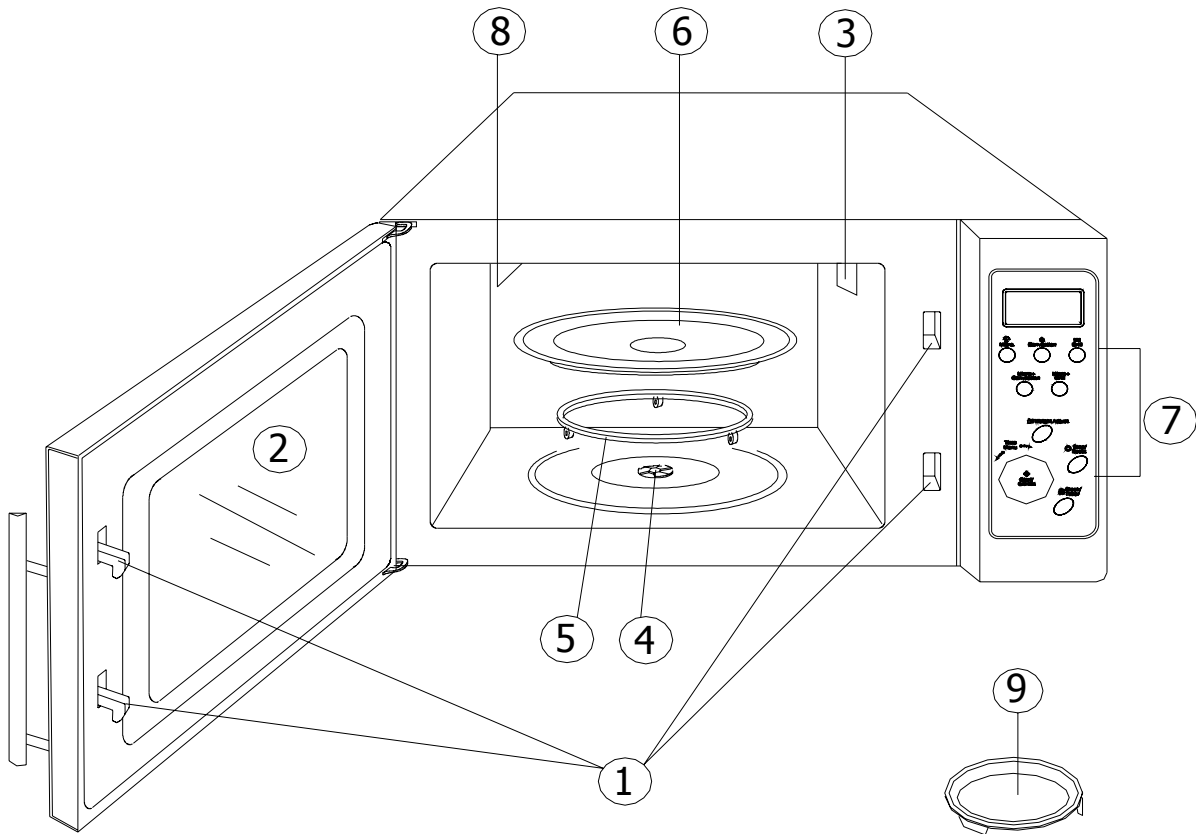
- The ideal material for a microwave utensil is transparent to microwaves, it allows energy to pass through the container and heat the food.
- Microwave can not penetrate metal, so metal utensils or dishes with metallic trim should not be used.
- Do not use recycled paper products when microwave cooking, as they may contain small metal fragments which may cause sparks and/or fires.
- Round/oval dishes rather than square/oblong ones are recommended, as food in corners tends to overcook.
- Narrow strips of aluminium foil may be used to prevent overcooking of exposed areas. But be careful to not use too much and keep a distance of 1 inch (2.54cm) between foil and cavity.  
The list on the following page is a general guide to help you select the correct utensils.

## UTENSILS

<b>Cookware</b>	<b>Microwave</b>	<b>Grill</b>	<b>Convection</b>	<b>Combination*</b>
<b>Heat-resistant glass</b>	Yes	Yes	Yes	Yes
<b>Non heat – resistant glass</b>	No	No	No	No
<b>Heat – resistant Ceramics</b>	Yes	Yes	Yes	Yes
<b>Microwave –safe Plastic dish</b>	Yes	No	No	No
<b>Kitchen paper</b>	Yes	No	No	No
<b>Metal Tray</b>	No	Yes	Yes	No
<b>Metal Rack</b>	No	Yes	Yes	No
<b>Aluminium Foil and Foil container</b>	No	Yes	Yes	No
<b>Baking Plate</b>	No	Yes	Yes	Yes

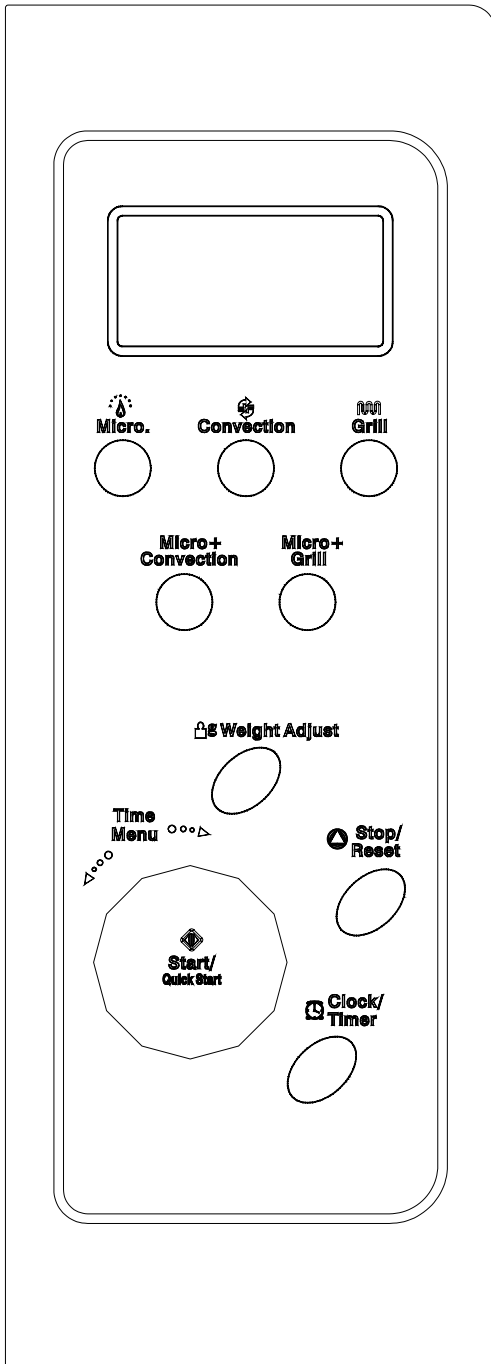
\*Combination: applicable for both “microwave +grill”, and “microwave +convection” cooking.

# MICROWAVE PART NAMES



1. Door safety lock system
2. Oven Window
3. Oven Air Vent
4. Shaft
5. Roller Ring
6. Glass Tray
7. Control Panel
8. Grill Heater
9. Baking Plate

## **CONTROL PANEL**



### **DISPLAY SCREEN:**

Cooking time, power, indicators and present time are shown

### **MICRO:**

Press to select Microwave power level.

### **GRILL:**

Press to set a grill cooking program.

### **CONVECTION:**

Press to program convection temperature.

### **MICRO + GRILL:**

Press to select one of two combination cooking settings.

### **MICRO + CONVECTION:**

Press to select one of four combination cooking settings.

### **TIME/MENU (DIAL):**

Rotate to set cooking time or select auto-menu.

### **START/QUICK START:**

Press to start cooking program or set quick start cooking

### **WEIGHT ADJUST:**

Press to select the amount of food or enter cooking time setting state.

### **STOP/RESET:**

Touch to stop cooking program or clear all previous settings before cooking starts.

### **CLOCK/TIMER:**

Press to set the clock or timer

(Please also see the following pages for more detail)

## **HOW TO SET THE OVEN CONTROLS:**

- **Beeps during Oven Settings:**

1. ONE BEEP: The oven accepts the entry
2. TWO BEEPS: The oven does not accept the entry. Please check and try again.

- **Setting the Clock:**

- Press the **CLOCK/TIMER** button.
- Rotate the **TIME/MENU** dial until the correct hour is displayed.
- Press the **CLOCK/TIMER** button.
- Rotate the **TIME/MENU** dial until the correct minute is displayed.
- Press **CLOCK/TIMER** button to confirm.

**NOTE:**

- It automatically starts at a default setting of 1:00 when the oven is plugged in.
- To use the timer feature, holding down the **CLOCK/TIMER** button for at least 3 seconds and then turn the **TIME/MENU** dial to set a countdown time of up to 95 minutes.

## **MICROWAVE COOKING**

Microwave cooking allows you to customise cooking power and time.

First, you select a power level by pressing the **MICRO** button a number of times (**see the table below**).

Then you set the cooking time by rotating the **TIME/MENU** dial, before pushing the **START** button.

<b>Press Microwave button to select cooking power</b>		
<b>Press</b>	<b>Power</b>	<b>Description</b>
once	100% (P-HI)	High
twice	90% (P-90)	
3 times	80% (P-80)	
4 times	70% (P-70)	Medium High
5 times	60% (P-60)	
6 times	50% (P-50)	Medium
7 times	40% (P-40)	
8 times	30% (P-30)	Med. Low/Defrost
9 times	20% (P-20)	
10 times	10% (P-10)	Low
11 times	0% (P-00)	

Suppose you want to cook for 5 minutes at 60% power level.

1. Press the **MICRO** button 5 times
2. Rotate the **TIME/MENU** dial until the correct cooking time :( **5:00**) is displayed.
3. Press the **START** button.

### **NOTE:**

- If you want to temporarily stop a cooking session, press the **STOP/RESET** once and then you can start the cooking again by pressing **START**: or press the **STOP/RESET** twice to cancel the cooking program altogether.
- After the cooking time ends, the system will beep four times and **END** is displayed. Before starting another cooking session, you need to clear the display and reset the system by pressing the **STOP/RESET** button.

## **USING THE GRILL:**

Grill cooking is particularly useful for thin slices of meat, steaks, chops, kebabs, sausages and pieces of chicken. It is also suitable for hot sandwiches and au gratin dishes.

Suppose you want to program grill cooking for 12 minutes:

1. Make sure the system is reset, which means no current cooking program is running, and the system is waiting for instructions.
2. Press the **GRILL** button.
3. Turn the **TIME/MENU** to **12:00**.
4. Press the **START** button.

### **NOTE:**

Grill cooking power is set at full power level by the system,

## **CONVECTION:**

During convection cooking, hot air is circulated throughout the oven cavity to brown and make foods crisp quickly and evenly. This oven can be programmed for ten different cooking temperatures.

### **To Cook with Convection:**

Press the **CONVECTION** button to set convection temperature.

<b>Press</b>	<b>Temperature ( °C)</b>
Once	230
Twice	215
3 times	200
4 times	185
5 times	170
6 times	155
7 times	140
8 times	125
9 times	110
10 times	95

Suppose you want to cook at 200°C for 40 minutes.

1. Press the **CONVECTION** button 3 times.
2. Rotate the **TIME/MENU** dial until the correct cooking time is displayed.
3. Press the **START** button.

### **NOTE:**

- After time has elapsed four beeps sound and **END** appears in display. Press **STOP/RESET** button or open door to clear **END** before starting another cooking function.
- You can check the convection temperature while cooking is in progress by pressing the **CONVECTION** button.

## **To Preheat and Cook with Convection**

Your oven can be programmed to combine preheating and convection cooking operations.

Suppose you want to preheat to 140°C and then cook 35 minutes:

1. Press the **CONVECTION** button 4 times.
2. Press the **START** button. One beep will sound and “**PREH**” will flicker in the display until the oven reaches the programmed temperature.
3. Open the door and place container of food at the centre of the turntable.
4. Rotate the **TIME/MENU** dial to program cooking time.
5. Press the **START** button.

## **MICROWAVE + GRILL**

This feature allows you to combine grill and microwave cooking on two different settings. First, press this button once or twice to choose an appropriate combination setting, then, at the screen prompt, enter the desired cooking time by turning the **TIME/MENU** dial. After you have pushed the start button, the system begins to count down.

### **COMBINATION 1**

30 % time for microwave cooking, 70% for grill cooking. Use for fish, potatoes or au gratin.

Suppose you want to set combination 1 cooking for 25 minutes.

1. Press the **STOP/RESET** button.
2. Press the **MICRO + GRILL** button once.
3. Turn the **TIME/MENU** to **25:00**
4. Press the **START** button.

### **COMBINATION 2**

55% time for microwave cooking, 45% for grill cooking. Use for pudding, omelettes, baked potatoes and poultry.

Suppose you want to set combination 2 cooking for 12 minutes.

1. Press the **STOP/RESET** button.
2. Press the **MICRO + GRILL** button twice.
3. Turn the **TIME/MENU** to **12:00**
4. Press the **START** button.



## **MICROWAVE + CONVECTION**

This oven has four pre- programmed settings that make it easy to cook with both convection heat and microwave automatically.

Press **MICRO + CONVECTION** button to select convection temperature:

	<b>Press Button</b>	<b>Oven Temperature (°C)</b>
<b>COMB 1</b>	Once	<b>230</b>
<b>COMB 2</b>	Twice	<b>200</b>
<b>COMB 3</b>	3 times	<b>170</b>
<b>COMB 4</b>	4 times	<b>140</b>

Suppose you want to bake a cake for 24 minutes on **COMB3**:

1. Press **MICRO + CONVECTION** button 3 times.
2. Rotate the **TIME/ MENU** dial to program cooking time.
3. Press **START** button to begin.

### **NOTE:**

The maximum cooking time is 9 hours, 30 minutes. After the time has elapsed four beeps sound and **END** appears in display. Press the **RESET** button or open the door to clear the display before starting another cooking function. You can check the convection temperature while cooking is in progress by pressing the **MICRO + CONVECTION** button.

## **SPEED DEFROST (WEIGHT ADJUST)**

Suppose you want to defrost frozen food for five minutes.

1. Rotate the **TIME/MENU** dial until “08” is displayed.
2. Press **WEIGHT ADJUST** button.
3. Rotate the **TIME/MENU** dial to program defrosting time.
4. Press **START** button to start.

### **NOTE:**

- For either raw or previously cooked frozen food the rule of thumb is approximately 8 -12 minutes per pound.
- Always stop the oven periodically to remove or separate the portions that are defrosted. If food is not defrosted at the end of the estimated defrosting time, program the oven in 1-minute increments until totally defrosted.
- When using plastic containers from the freezer, defrost only long enough to remove from plastic in order to place in a microwave- safe dish.
- The maximum defrosting time is 45 minutes. After time has elapsed four beeps sound and **END** appears in display. Press **RESET** button or open door to clear **END** before starting another cooking function.

## **AUTO-MENU SETTINGS**

“**AUTO MENU**” allow you to cook or reheat food automatically without entering a power level or time.

### **BAKED POTATO**

1. Rotate the **TIME/MENU** dial until “**01**” and code are displayed.
2. Press **WEIGHT ADJUST** to select needed weight:  
- 150, 300, 450 or 600g.
3. Press the **START** button.

### **NOTE:**

After the cooking program has finished, let food stand in the oven for 5- 10 minutes.

### **BEVERAGE**

1. Rotate the **TIME/MENU** dial until “**02**” is displayed.
2. Press **WEIGHT ADJUST** to select needed amount (1~4 cups).
3. Press the **START** button.

### **POPCORN**

1. Rotate the **TIME/MENU** dial until “**03**” is displayed.
2. Press the **WEIGHT ADJUST** button once, the cooking time will be displayed.
3. Press the **START** button.

### **NOTE:**

To reset **POPCORN** time: Rotate the **TIME/MENU** dial until “**03**” IS displayed, press **WEIGHT ADJUST** button twice, rotate the **TIME/MENU** dial to program the new popcorn time, and then press the **START** button to verify. The new popcorn time will remain whenever you use the **POPCORN** purpose until you reset it.

### **REHEAT**

1. Rotate the **TIME/MENU** dial until “**04**” is displayed.
2. Press **WEIGHT ADJUST** to select needed weight:  
- 100, 200, 400, 600, 800, 1000g.
3. Press the **START** button.

### **PIZZA**

1. Rotate the **TIME/MENU** dial until “**05**” is displayed.
2. Press **WEIGHT ADJUST** to select needed weight:  
- 150 or 300g.
3. Press the **START** button.

## **AUTO-MENU SETTINGS CONT.**

### **MEAT SKEWERS**

1. Rotate the **TIME/MENU** dial until “**06**” is displayed.
2. Press **WEIGHT ADJUST** to select needed weight:  
- 150,300,500 or 800g.
3. Press the **START** button.

#### **NOTE:**

At the middle of cooking, beeps will remind you to open the door and rearrange the food, and then close the door to cook for the remaining time.

### **CAKE**

1. Rotate the **TIME/MENU** dial until “**07**” is displayed.
2. Press the **WEIGHT ADJUST** button once, the cooking time will be displayed.
3. Press the **START** button.

#### **NOTE:**

To reset cooking time: Rotate the **TIME/ MENU** dial until “**07**” is displayed, press **WEIGHT ADJUST** button twice, rotate the **TIME/MENU** dial to program the new cooking time, and then press **START** button to verify. The new cooking time will remain whenever you use the **CAKE** function until you reset it.

## **OTHER CONVENIENT FEATURES**

### **MINUTE TIMER**

1. Holding down the **CLOCK/TIMER** button for 3 seconds.
2. Rotate the **TIME/MENU** dial until the desired time is displayed.
3. Press **START** button to start.

**NOTE:** Time countdown can be seen in display for 5 seconds before clock or cooking time is returned to display. When the countdown ends, a long beep will sound. Touch **TIMER** and then touch **RESET** to cancel **TIMER** during timing process.

### **CHILD PROOF LOCK**

The child proof lock prevents unsupervised operation by children. To set the child proof lock: -

- Press **STOP/RESET** button for 3 seconds, then a beep will sound and the indicator light will come on. In the lock state, all buttons are disabled.

To cancel the child proof lock: Press **STOP/RESET** button for three seconds, then a beep will sound and the indicator light will come off.

**QUICK START**

Use this feature to program the oven to microwave food at 100% power conveniently. Press **START/QUICK START** button in quick succession to set the cooking time. The maximum cooking time is 10 minutes. The oven will auto-start two seconds later.

**TO STOP THE OVEN WHILE THE OVEN IS OPERATING**

1. Press **STOP/RESET** button.

You can restart the oven by pressing the **START** pad. Touch **STOP/RESET** to erase all instructions.

2. Open the door.

You can restart the oven by closing the door and pressing the **START** pad.

**NOTE:**

Oven stops operating when the door is opened.

## **CLEANING AND CARE:**

- Turn off the oven and remove the power plug from the wall socket before cleaning.
- Keep the inside of the oven clean. When food splatters or spilled liquids adhere to oven walls, wipe with a damp cloth. Mild detergent may be used if the oven gets very dirty. Avoid the use of spray and other harsh cleaners as they may stain, streak or dull the door surface.
- The outside surfaces should be cleaned with a damp cloth. To prevent damage to the operating parts inside the oven, water should not be allowed to seep into the ventilation openings.
- Wipe the door and window on both sides, the door seals and adjacent parts frequently with a damp cloth to remove any spills or splatters. Do not use abrasive cleaner.
- Do not allow the control panel to become wet. Clean with a soft, damp cloth. When cleaning the control panel, leave the oven door open to prevent oven from accidentally turning on.
- If steam accumulates inside or around the outside of the oven door, wipe with a soft cloth. This is normal and may occur when the microwave oven is operated under a high humidity condition.
- It is occasionally necessary to remove the glass tray for cleaning. Wash the tray in warm sudsy water or in a dishwasher.
- The roller ring and oven floor should be cleaned regularly to avoid excessive noise. Simply wipe the bottom surface of the oven with mild detergent. The roller ring may be washed in mild soapy water or dishwasher. When removing the roller ring from the cavity floor for cleaning, be sure to replace in the proper position.
- Remove doors from your oven by combining a cup of water with the juice and skin of one lemon in a deep microwaveable bowl, microwave for 5 minutes. Wipe thoroughly and dry with a soft cloth.
- When it becomes necessary to replace the oven light, please consult a dealer to have it replaced.

## **BEFORE YOU CALL FOR SERVICE:**

### **If the oven fails to operate:**

- Check to ensure that the oven is plugged in securely. If it is not, remove the plug from the outlet, wait 10 seconds, and plug it in again securely.
- Check for a blown circuit fuse or a tripped main circuit breaker. If these seem to be operating properly, test the outlet with another appliance.
- Check to ensure that the control panel is programmed correctly and the timer is set.
- Check to ensure that the control panel is programmed correctly and the timer is set.
- Check to ensure that the door is securely closed engaging the door safety lock system. Otherwise, the microwave energy will not flow into the oven.

**IF NONE OF THE ABOVE RECTIFIES THE SITUATION, THEN CONTACT A QUALIFIED TECHNICIAN (SEE PAGE 23). DO NOT TRY TO ADJUST OR REPAIR THE OVEN YOURSELF.**

## BTM25 .1SS

# BAUMATIC LTD. -CONDITIONS OF GUARANTEE.

Dear Customer,

The conditions of guarantee which apply to your Baumatic appliance are as follows: This product is guaranteed for 12 months from the date of original purchase. Baumatic Ltd will repair any defect that arises due to faulty materials or workmanship free of charge during this period.

\*In addition, your appliance is covered by a 5 year parts warranty. Baumatic Ltd will provide free of charge the parts required to repair the appliance, only if they are fitted by a Baumatic engineer, for any defect that arises due to faulty materials or workmanship within a period of 5 years from the original purchase date.

\*An additional and annually renewable insurance scheme for labour is available should you wish to extend the warranty period.

Should any person other than an authorised representative of Baumatic Ltd interfere with the appliance, the policy is negated and Baumatic Ltd will be under no further liability.

The guarantee covers the appliance for normal domestic use only, unless otherwise stated.

Any claims made under the terms of the guarantee must be supported by the original invoice/bill of sale issued at the time of purchase.

This guarantee is transferable only with the written consent of Baumatic Ltd.

If the appliance fails and is considered either not repairable or uneconomical to repair between twelve months and five years from purchase date, a free of charge replacement will not be offered.

The guarantee for any replacement will only be for the remainder of the guarantee on the original product purchased.

This guarantee does not cover:

x Sinks and taps

X Failure to comply with the manufacturer's instructions for use.

X The replacement of cosmetic components or accessories.

X Accidental damage or wilful abuse.

X Subsequent loss or damage owing to the failure of the appliance or electrical supply.

X Incorrect installation.

X Losses caused by Acts of God, civil war, failure to obtain spare parts, strikes or lockouts.

X Filters, fuses, light bulbs, external hoses, damage to bodywork, paintwork, plastic items, covers, baskets, trays, shelves, burner bases, burner caps, decals, corrosion, rubber seals..

In the course of the work carried out it may be necessary to remove the appliance from its operating position. Whilst all reasonable care will be taken, Baumatic Ltd cannot accept responsibility for damage sustained to any property whatsoever in this process.

This guarantee is in addition to and does not diminish your statutory or legal rights.

Contacting Baumatic.

SALES

TEL: 0118 933 6900

FAX: 0118 931 0035

SERVICE

TEL: 0118 933 6911

FAX: 0118 986 9124

SPARES

TEL: 0118 933 6922

FAX: 0118 933 6942

TECHNICAL / ADVICE

TEL: 0118 9336933

FAX: 0118 9336942

For mainland UK and Northern Ireland, please contact one of the above numbers for further information or any other query you may have.

For ROI (Republic of Ireland), please contact one the numbers below:

TEL: 01 - 6266798 FAX: 01 - 6266634

Thank you for buying Baumatic.

\*Applies to UK, Scotland, Wales & Northern Ireland only. (Republic of Ireland has 1 year labour and 1 year parts warranty only) .

