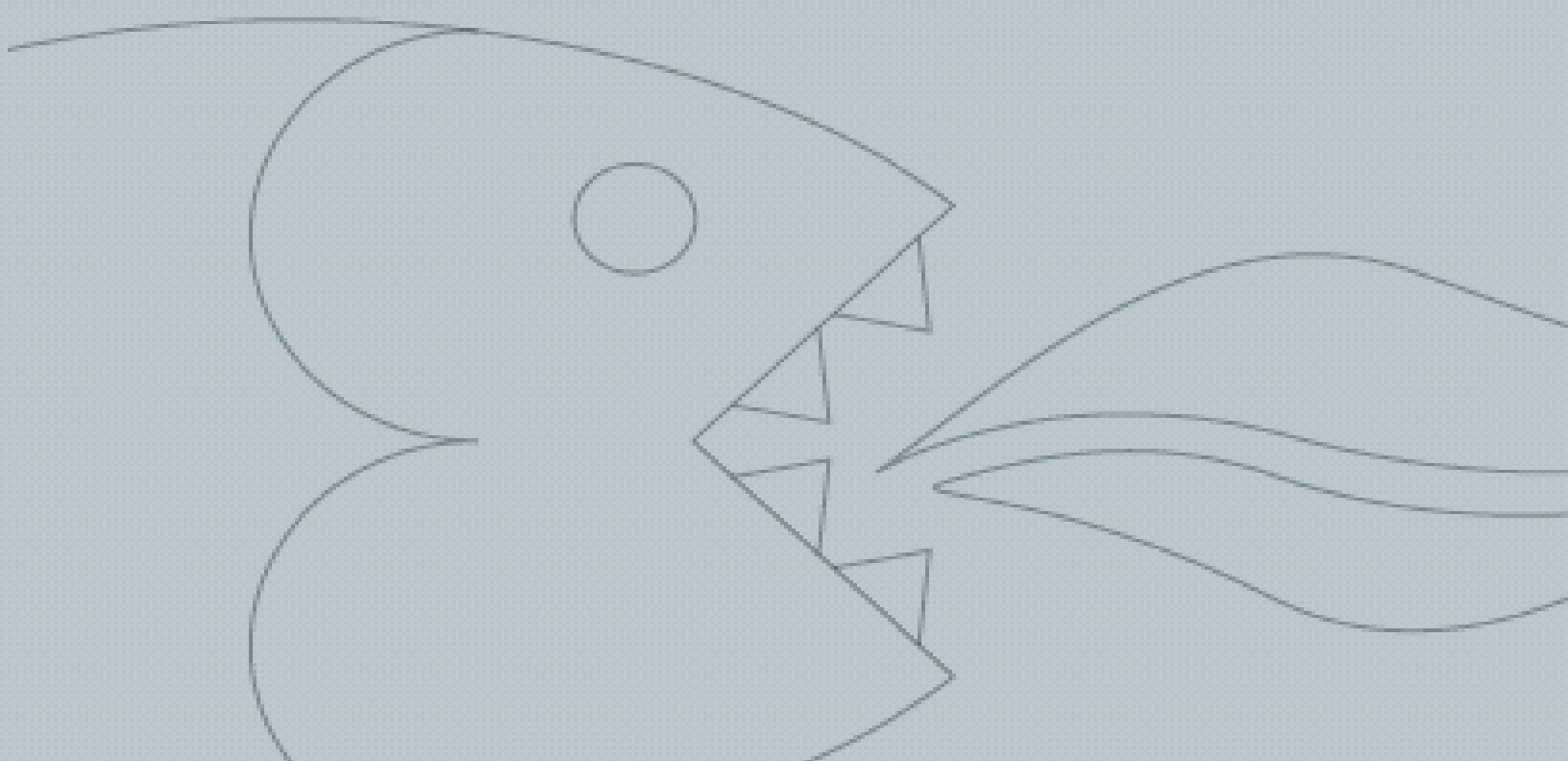
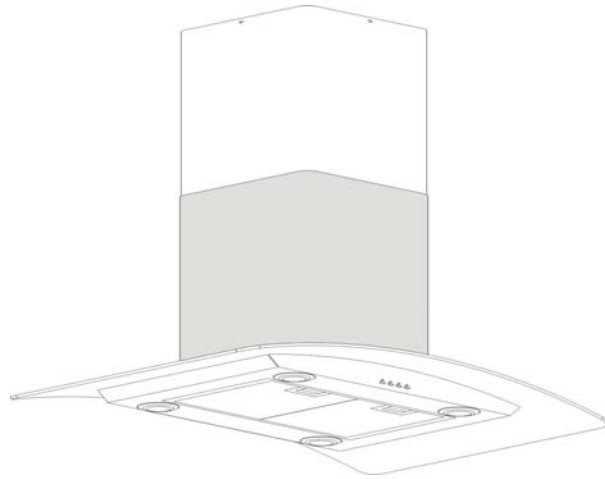


ISL5SS Cooker Hood

Instruction manual



User Manual for your Baumatic **ISL5SS Cooker Hood**



90 cm Island Chimney Hood in Stainless Steel



NOTE: This User Instruction Manual contains important information, including safety & installation points, which will enable you to get the most out of your appliance. Please keep it in a safe place so that it is easily available for future reference.

CONTENTS

YOUR COOKER HOOD'S SPECIFICATIONS3

IMPORTANT SAFETY INFORMATION.....4-5

CARING FOR THE ENVIRONMENT.....6

USING YOUR COOKER HOOD.....7

MAINTAINING AND CLEANING YOUR COOKER HOOD8-10

INSTALLATION INSTRUCTIONS11-18

CARBON FILTER11

ELECTRICAL CONNECTION.....12

INSTALLING THE COOKER HOOD.....13-17

INSTALLATION NOTES – EXTRACTION / PURIFYING VERSION18

TROUBLESHOOTING19

CONDITIONS OF GUARANTEE.....20

CONTACT DETAILS.....21

DD 01/11/06

Specifications of your ISL5SS Cooker Hood

Congratulations on purchasing a Baumatic Cooker Hood!

To fully enjoy using your appliance long into the future, please firstly familiarise yourself with its specifications, safety advice and operational instructions included in this manual. You will also need this manual to ensure that your Cooker Hood has been installed properly.

DIMENSIONS

Width (canopy):	900 mm
Depth (canopy):	600 mm
Height (adjustable):	600- 1100 mm

Dimensions of Pipe Section:

270mm X 285mm

Your stainless steel Cooker Hood is fitted with:

- Superior extraction tangential motor
- Touch control operation
- 3 Speeds with Booster Function
- 4 Halogen lights

Extraction capacity – 750m³/hr

Optional Extras: 1 x SQ1 carbon filter for air recirculation.

Important Safety Information: Please Read this before installing & using.

- ***Any installation work must be carried out by a qualified electrician or competent person.***

- ***The hood must be installed in accordance with the installation instructions and all measurements followed.***

- **If the cooker hood is installed for use above a gas appliance then the provision for ventilation must be in accordance with the Gas Safety Codes of Practice BS.6172, BS.5440 & BS.6891 (Natural Gas) and BS.5482 (LP Gas) 1994, the Gas Safety (Installation & Use) Regulations, the Building Regulations issued by the Department of the Environment, the Building Standards (Scotland) (Consolidated) Regulations issued by the Scottish Development Dptmt.**



- **It is dangerous to alter the specifications or to modify this product in any way. Do not tamper with it or attempt to alter it in the attempt to customise it further.**



- **When installing the hood, ensure that the following recommended distances are being observed between the cooker top and the bottom of the cooker hood:**

- ✓ **Electric cookers:
700 mm**
- ✓ **Gas cookers:
700mm**
- ✓ **Coal/ oil cookers:
800 mm**

*** NOTE - DO NOT SET YOUR COOKER HOOD LESS THAN 700mm ABOVE YOUR COOKER!**

- **When installed between adjoining wall cabinets, the cabinets must not overhang the hob & must hang 50mm or more away from the side of the hob surfaces.**
- **The edges of the cooker hood are sharp – be mindful of this as you handle your appliance, especially during installation and cleaning. *DO NOT CLEAN IN BEHIND THE GREASE FILTERS!***
- **If the room where the cooker hood is to be used contains a fuel burning appliance such as a central heating boiler then its flue must be of the sealed or balanced flue type.**
- **If other types of flue or appliances are fitted, ensure that there is an adequate supply of air in the room.**
- **When the hood is being used in its extractor function, ensure that the ducting is fire retardant and that there are no bends sharper than 90 degrees as this will reduce the efficiency of the hood.**

Important Safety Information: Please Read this before installing & using.

- Ensure the ducting for the extractor function has the same diameter as the outlet hole all the way through.
- **Keep young children from using, playing with or tampering with the cooker hood. Older children and infirm persons should be supervised if they are using the cooker hood.**
- **Your cooker hood is for domestic use only.**
- **Please dispose of the packing material carefully – children are especially vulnerable to it.**
- **Dirty oil is an even greater fire risk.**
- **Always put lids on pots and pans when cooking on a gas cooker.**
- **The manufacturer refuses to accept any responsibility for damages arising to the hood or it's catching on fire from failure to observe fire safety advice in these instructions.**
- **Remember that when in extraction mode, your cooker hood is removing air from your room. Ensure that proper**



ventilation measures are being observed. Note that it removes odours from your room, not steam.

- **Warning - Always ensure that the cooker hood has been disconnected from the power supply before carrying out any work on the hood, including replacing light bulbs.**

-
- ☒ **Do not connect the ducting system of this appliance to any existing ventilation system which is being used for any other purpose.**
 - ☒ **Do not install above a cooker with a high level grill.**
 - ☒ **Never leave frying pans unattended during use as overheated fats and oils might catch fire.**
 - ☒ **Do not leave naked flames under the cooker hood.**
 - ☒ **Do not attempt to use the cooker hood if it is damaged in any way. Never attempt to use it without the grease filters fitted or if the filters are excessively greasy!**
 - ☒ **Never flambé cook under this cooker hood.**



There must be scrupulously added by so as to avoid the risk of fire.

THE MANUFACTURER DECLINES ALL RESPONSIBILITY IN THE EVENT OF FAILURE TO OBSERVE THE INSTRUCTIONS GIVEN HERE FOR INSTALLATION, MAINTENANCE AND SUITABLE USE OF THE HOOD.




Environmental Note

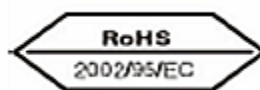
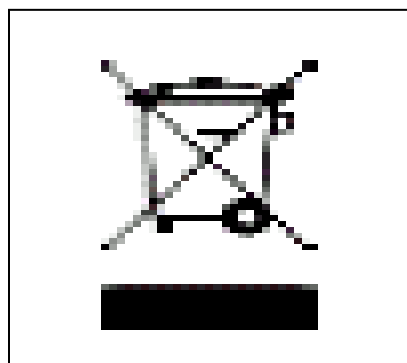
Note: Before discarding an old appliance, switch off and disconnect it from the power supply. Cut off and render any plug useless. Cut the cable off directly behind the appliance to prevent misuse. This should be undertaken by a competent person.

CONFORMITY TO W.E.E.E. DIRECTIVE

This appliance is marked according to the European directive 2002/96/EC on Waste electrical and Electronic Equipment (WEEE). By ensuring this product is disposed of correctly, you will help prevent potential negative consequences for the environment and human health, which could otherwise be caused by inappropriate waste handling of this product.

The symbol  on the product, or on the documents accompanying the product, indicates that this appliance may not be treated as household waste. Instead it shall be handed over to the applicable collection point for the recycling of electrical and electronic equipment.

Disposal must be carried out in accordance with local environmental regulations for waste disposal. For more detailed information about treatment, recovery and recycling of this product, please contact your local city office, your household waste disposal service or the shop where you purchased the product.

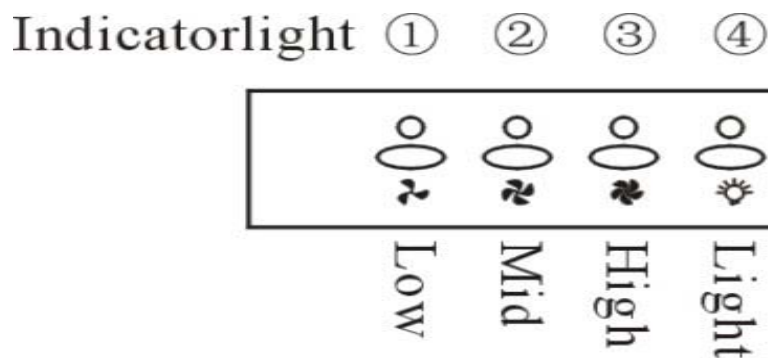


Using your Baumatic Cooker Hood:

To use your cooker hood:

- 1) Make sure it has been properly installed.
- 2) Find the CONTROL PANEL. It is located at the front of the canopy. You have a Pushbutton control panel that looks like the one pictured below.
- 3) The CONTROL PANEL's buttons all perform separate functions. You will need to understand what these do before you attempt to use your cooker hood.

*** Note: The hood should be switched on at least as soon as you start cooking.**



Pic6A

1. Turn on the power; the buzzer will buzz five times. The sound shows that the appliance is powered.
2. Push the low button, the indicating light 1 on, the buzzer will buzz once, and the motor runs at low speed. Push it again and the motor will stop.
3. Push the middle button, the indicating light 2 on, the buzzer will buzz once, and the motor runs at mid speed. Push it again and the motor will stop.
4. Push the high button, the indicating light 3 on, the buzzer will buzz once, and motor runs on high speed. Push it again and the motor will stop.
5. Push the light button; the indicating light 4 on, and the two lighting lamps will come on. Push it again and the lamps will turn off, with every push the buzzer will buzz one time.

Cleaning your Baumatic Cooker Hood:

IMPORTANT: *Before cleaning, always ensure that you have switched your cooker hood OFF at the power switch, set at the wall from the cable:*

Cleaning

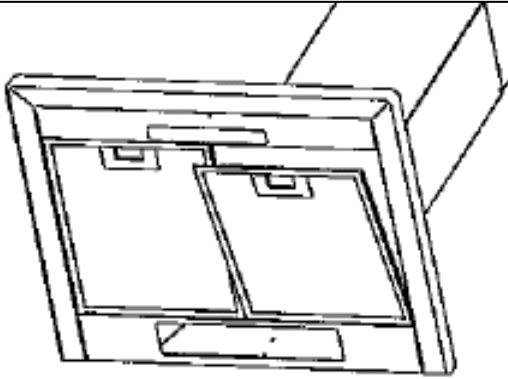
- ↻ Clean the external parts with mild liquid detergents on a damp cloth.
- ↻ Never use abrasive powder, corrosive solvents or brushes.
- ↻ Never insert pointed objects into the motor's protective grid.
- ↻ Only clean the control panel and filter grill with a damp cloth and delicate detergents.
- ↻ Be sure to replace the carbon filters at the recommended intervals. Build up could cause a fire hazard.
- ↻ Never take out the grease filters and attempt to clean the space above where they are set

Anti-Grease Grille

- ↻ Your cooker hood includes an anti-grease grille which helps absorb vapour-suspended grease particles to protect your kitchen & furniture from greasy residues.
- ↻ The metal grille may become inflammable if it becomes saturated with greasy residue.

- ✓ To prevent this fire hazard, the grille should be cleaned regularly (depending on use) every 10-15 days and at least once a month in hot water with normal washing-up detergent. **DO NOT USE A DISHWASHER TO ACHIEVE THIS.**

Maintenance - Cleaning the Anti-grease Filters



First remove the grille by pulling down on it. Undo the side catches.

You can now clean the anti-grease filter grilles.

- ✓ **Soak them for about one hour in hot water with a grease-loosening detergent then rinse off thoroughly with hot water.**
- ✓ **Repeat the process if needed. Refit the grease grille once it has dried.**

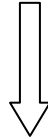
✓ **Refit the grease grilles when dry.**




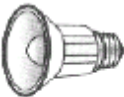

Let the filter grilles dry thoroughly before refitting them.

Maintenance – Changing the Light Bulb and Carbon Filter

a) Changing the light bulb

- ✓ Before changing the light bulb, ensure that the appliance is not live (i.e., ensure that you have switched it off so that it's in the '0' position).
- ✓ Remove the metal anti-grease filters (see Figure 2 below) and find the old bulb located in the light fixture up inside the exposed canopy. Change the halogen bulb using only halogen spares with a G4 coupling, max. 20W.



E14 40Wmax	GU5.3 20Wmax	G4 20Wmax	E14 50Wmax	E14 11Wmax
				

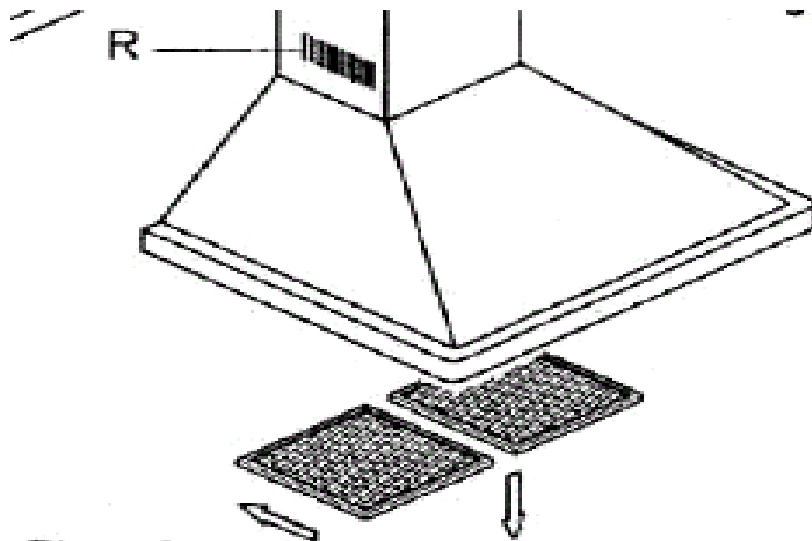


Fig. 2

*** PLEASE NOTE - Defective bulbs should be replaced immediately.**

- ✓ Replace the metal anti-grease filters.

Installing / Changing the Carbon Filter

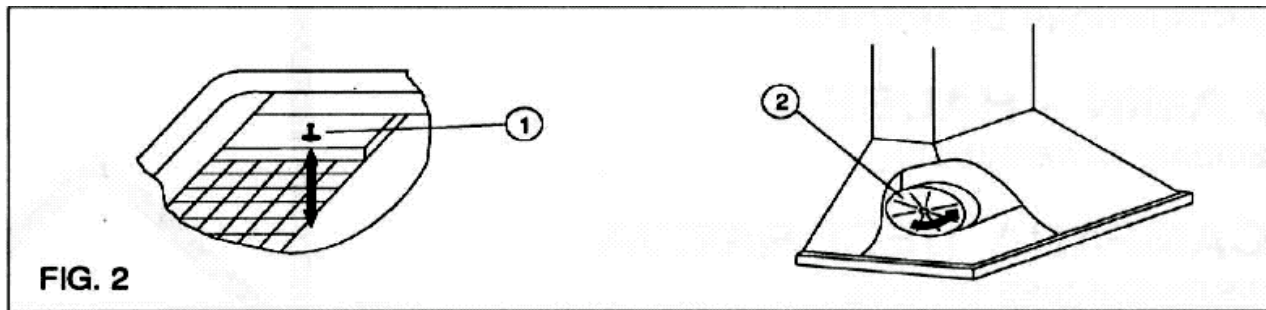
Installing / Changing the Carbon Filter.

Your Baumatic Cooker Hood uses **CARBON FILTERS** to purify the air for the air recirculation function.

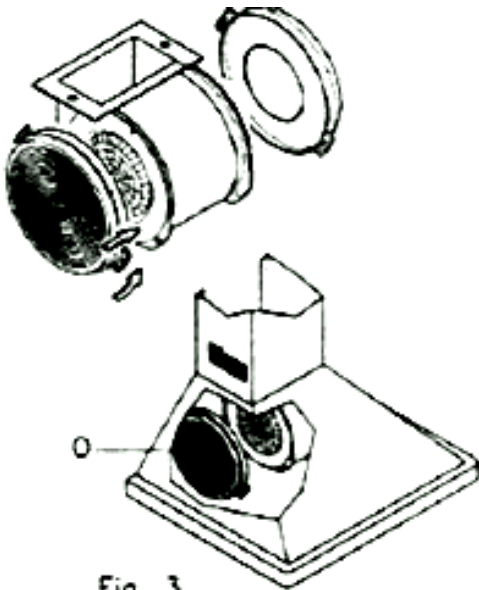
You will find two filters that will attach to both sides of the fan motor (please see figures at bottom of page).

The active carbon filters must be replaced regularly, at least once every three months to allow normal operation.

Before starting to fit the carbon filter, turn the omni-polar switch to zero (0).



Changing the Carbon Filters



- 1) Press the handle of the metal grease filter towards the rear part of the unit until it is released from the front housing, and remove it by pressing downwards (Fig. 2 - above).
- 2) Remove the old carbon filters by twisting them anticlockwise until they unlatch from the sides of the motor.
- 3) Place the new carbon filters (which have two fixing tongues), turning clockwise so that the tongues latch onto the motor's sides. (Fig. 3 - left).

- 4) Reposition the anti-grease metallic filter grilles.

INSTALLATION INSTRUCTIONS – Electrical Connection.

Before installation and usage, read all the instructions and make sure that the voltage (V) and the frequency (Hz) indicated on the identification plate (found inside your Cooker Hood) and all the data inside the appliance are exactly the same as the voltage and frequency in your home.

NOTE: The manufacturer declines all responsibility in the event of failure to observe all the accident-prevention regulations in force which are necessary for normal use and regular operation of the electric system.



ELECTRICAL CONNECTION

Your cooker hood is intended for **fitted and permanent installation.**

- The power cable must be connected to the terminals marked L (live) and N (neutral) in the hood and fixed with a cable clamp.
- The cooker hood's power cable must be fitted upstream from the electrical connection using an omni-polar switch with a contact distance of at least 3mm.

NOTE: (UK only) WARNING – THIS APPLIANCE MUST BE EARTHED. It should only be connected by a competent person using fixed wiring via a DOUBLE POLE SWITCHED FUSED SPUR OUTLET.

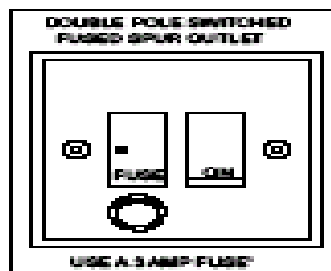
We recommend that the appliance is connected by a qualified electrician who is a member of the N.I.C.E.I.C. and who will comply with the I.E.E. and local regulations. The wires in the mains lead are coloured in accordance with the following U.K. code:

Blue= Neutral, Brown = Live, Green/Yellow = Ground

If you can only find two wires in the cable (blue and brown), neither must be connected to the Earth terminal!

- As the colours of the wires in the appliance's mains lead may not correspond with the coloured markings identifying the terminals in your spur box, please proceed as follows:

- 1) The **BLUE WIRE** must be connected to the terminal marked 'N' (Neutral), or coloured Black.

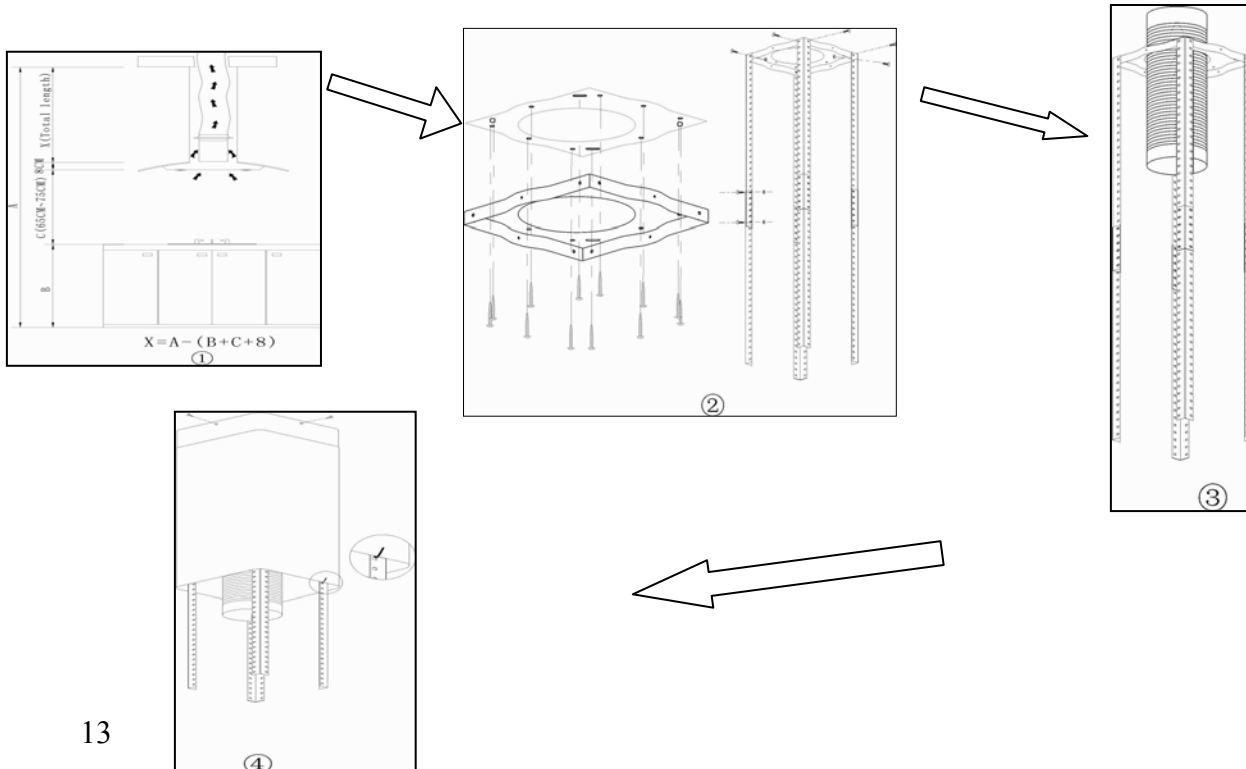


- 2) The **BROWN WIRE** must be connected to the terminal marked 'L' ('Live'), or coloured RED (Fig. 7 – at left)
3)

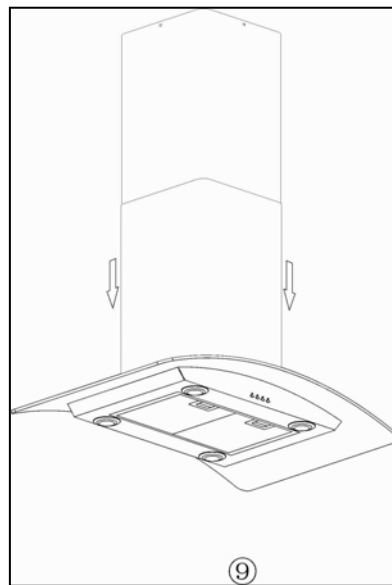
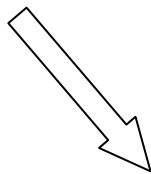
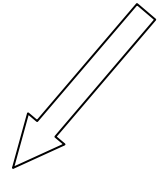
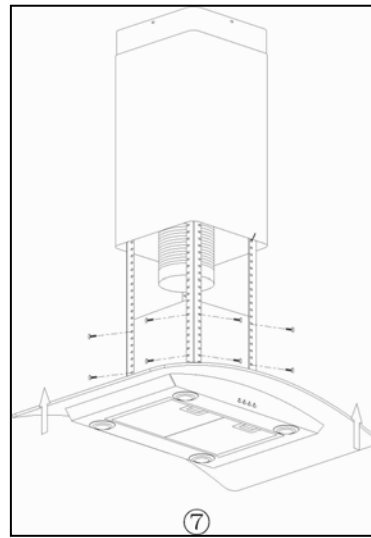
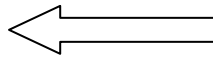
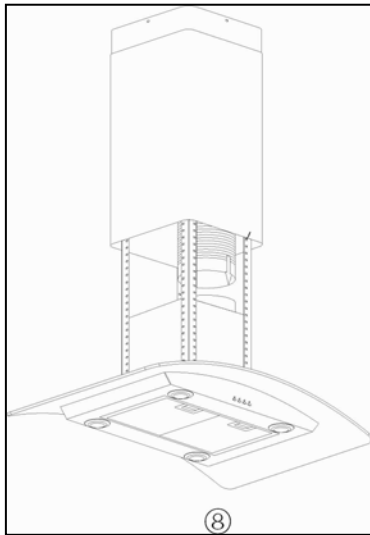
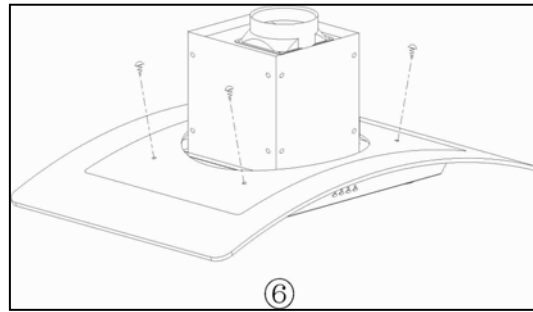
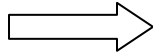
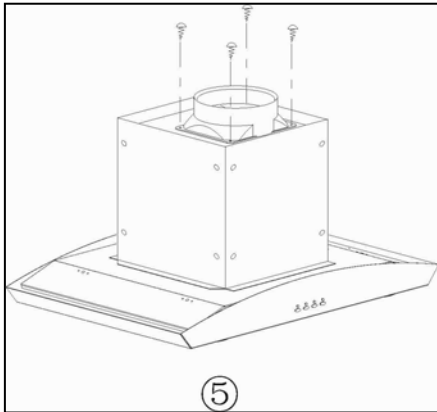
Fig. 7 ONLY FOR U.K.

Installation Instructions

1. The ceiling must bear at least 40kgs weight, and the thickness of the ceiling must be $\geq 30\text{MM}$, see pic 2. Drill 1*170mm round hole in the ceiling.
2. According to the hanging board, drill 12 holes in the ceiling, see pic 2. 12 ST6*40mm big flat screws will be used to fix the hanging board on the ceiling, and then 8 M4*10 screws and a M4 nut with gasket will be used to connect the angle iron into the hanging board, see pic 1. After calculating the length of the angle iron, 16 M4*10 big flat screws and a M4 nut with gasket should be used to connect the angle iron and another angle iron (the overlap length of angle iron can not be less 100MM).
3. Let one side of the extensible pipe go outside through the hole of 170MM, see pic 3.
4. 4 ST4*8 big flat screws will be used to connect the internal chimney into the hanging board. Then put up the external chimney, two hooks will be used to put up the external chimney in order to the next installation, see pic 4.
5. 4 ST4*8 big flat screws will be used to install the outlet, see pic 5.
6. Adjust the 4 glass screws to check whether the glass and the cooker hood body are connected well and fixed, see pic 6.
7. Hold up the hood, 16 M4*10 big flat screws will be used to connect the hood body into angle iron, see pic 7.
8. Put the extendable pipe on the outlet; after ensuring everything is ok, put down the hook and the external chimney, then the installation is complete, see pic 9.



Installation Instructions



Extraction / Air Purifier Modes of Operation

- Ensure that you have fitted the union ('N') (below and to the right) see to the upper part of the hood using the packaged two screws supplied inside the packing (Fig. 1 – on right). Using a 125 mm diameter pipe, connect the union (N) on the upper part of the hood (see Fig. 1) to the discharge outlet for cooking vapours with a cross-section of at least 150 cm².
- **PLEASE NOTE:** If there is no discharge outlet and the hood is to be fitted to an outside wall of the building, make a hole in the wall that is large enough to fit a wind and rain-proof shutter with a cross section of at least 150 cm² and connect this to the outlet union of the unit by means of a pipe.

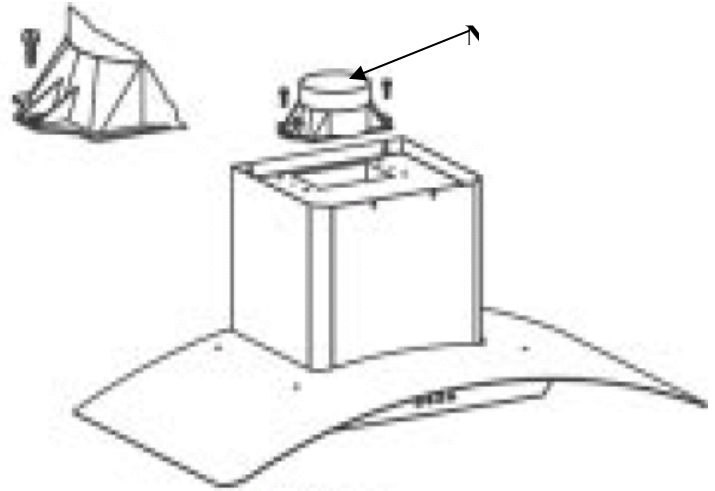
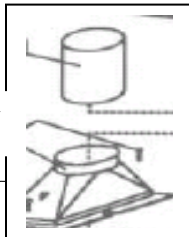


Fig.1



Please note: For the extraction function, you will need to connect a 125 mm diameter outlet chimney to the union 'N' in Fig. 2. This pipe is not provided with your cooker hood. See figure on left.

Fig.2

AIR PURIFIER OPERATION - INSTALLATION Instructions

The cooker hood can be converted to work as an air purifier in the event that there is no provision for an external air discharge duct.

In this case, air is recycled through the union 'N' (Fig. 1 – above). When using the unit as an air purifier, you need to install two active carbon filters to absorb cooking vapours (please see page 11).

Troubleshooting

If something has gone wrong with your Cooker Hood, checking against this chart might keep you from having to call for service.

Symptom	Solution
<i>The cooker hood will not start!</i>	<ul style="list-style-type: none">• Check that the hood is connected to the electricity supply.• Check that the fan speed control is set properly.
<i>The cooker hood is not working effectively!</i>	<ul style="list-style-type: none">• The fan speed is not set high enough.• The grease filter is dirty.• The kitchen is not ventilated well enough.• If the hood is set for recirculation, check that the carbon filters have not expired.• If the hood is set for extraction, check that the ducting and outlets are not blocked.
<i>The cooker hood has switched off during operation!</i>	<ul style="list-style-type: none">• The safety cut-out device has been tripped.• Turn off the hob and then wait for the device to reset.• Note that if you have installed your cooker hood too low, this will happen. If it happens frequently, it will be damaged.

Baumatic Ltd. Conditions of Guarantee

Dear Customer,

Your new Baumatic appliance comes complete with a free 12 month guarantee covering both parts and labour costs resulting from defective materials or workmanship.

Baumatic also gives you the opportunity to automatically extend the guarantee period for a further 12 months at no extra cost, giving an initial guarantee period of 24 months. The extended guarantee period applies to England, Scotland, Wales and Northern Ireland only.

To qualify for your full 24 months guarantee you **must** register your appliance within 28 days of purchase to be covered under this guarantee. This can be done online via: www.baumatic.co.uk or through returning the guarantee card which can be found in each new Baumatic appliance.

* In addition, your appliance is covered by a 5 year parts warranty. Baumatic Ltd will provide free of charge the parts required to repair the appliance, only if they are fitted by a Baumatic engineer, for any defect that arises due to faulty materials or workmanship within a period of 5 years from the original purchase date.

* An additional 1 to 3 year insurance scheme for labour is available should you wish to extend the warranty period.

Should any person other than an authorised representative of Baumatic Ltd interfere with the appliance, the policy is negated and Baumatic Ltd will be under no further liability.

The guarantee covers the appliance for normal domestic use only, unless otherwise stated.

Any claims made under the terms of the guarantee must be supported by the original invoice/bill of sale issued at the time of purchase.

This guarantee is transferable only with the written consent of Baumatic Ltd.

If the appliance fails and is considered either not repairable or uneconomical to repair during the manufacturer warranty period, a free of charge replacement will not be offered.

The guarantee for any replacement will only be for the remainder of the guarantee on the original product purchased.

The guarantee does not cover:

- Sinks and taps
- Failure to comply with the manufacturers instructions for use.
- The replacement of cosmetic components of accessories
- Accidental damage or wilful abuse.
- Subsequent loss or damage owing to the failure of the appliance or electrical supply
- Incorrect installation
- Losses caused by Acts of God, civil war, failure to obtain spare parts, strikes or lockouts
- Filters, fuses, light bulbs, external hoses, damage to bodywork, paintwork, plastic items, covers, baskets, trays, shelves, burner bases, burner caps, decals, corrosion, rubber seals.

In the course of the work carried out it may be necessary to remove the appliance from it operating position. Whilst all reasonable care will be taken, Baumatic Ltd cannot accept responsibility for damage sustained to any property whatsoever in this process.

This guarantee is in addition to and does not diminish your statutory or legal rights.

Contacting Baumatic Ltd

Sales	Service	Spares	Technical/Advice
TEL: 0118 933 6900	TEL: 0118 933 6911	TEL: 0118 933 6922	0118 933 6933
FAX: 0118 931 0035	FAX: 0118 986 9124	FAX: 0118 933 6942	0118 933 6942

For ROI (Republic of Ireland), please contact one of the numbers below:

TEL: 01 – 6266798 FAX: 01 - 6266634

Thanks you for buying Baumatic.

* Applies to UK, Scotland, Wales & Northern Ireland only (Republic of Ireland has 1 year labour & 1 year parts warranty only)

Baumatic Ltd

Make-up for your kitchen

Headquarters

Baumatic Ltd.
Baumatic Buildings,
6 Bennet Road,
Reading,
Berkshire
RG2 0QX, United Kingdom

Sales Telephone
+44 118 933 6900

Sales Fax
+44 118 931 0035

Service Telephone
+44 118 933 6911

Service Fax
+44 118 986 9124

Spares Telephone
+44 118 933 6922

Technical / Advice Telephone
+44 118 933 6933

E-mail:

sales@baumatic.co.uk

technical@baumatic.co.uk

Http (Internet site):
www.baumatic.com

Baumatic UK/cod. 1230000666



This appliance is marked according to the European Directive 2002/96/EC on Waste Electrical and Electronic Equipment(WEEE).

This guideline is the frame of a Europeanwide validity of return and recycling on Waste Electrical and Electronic Equipment.

