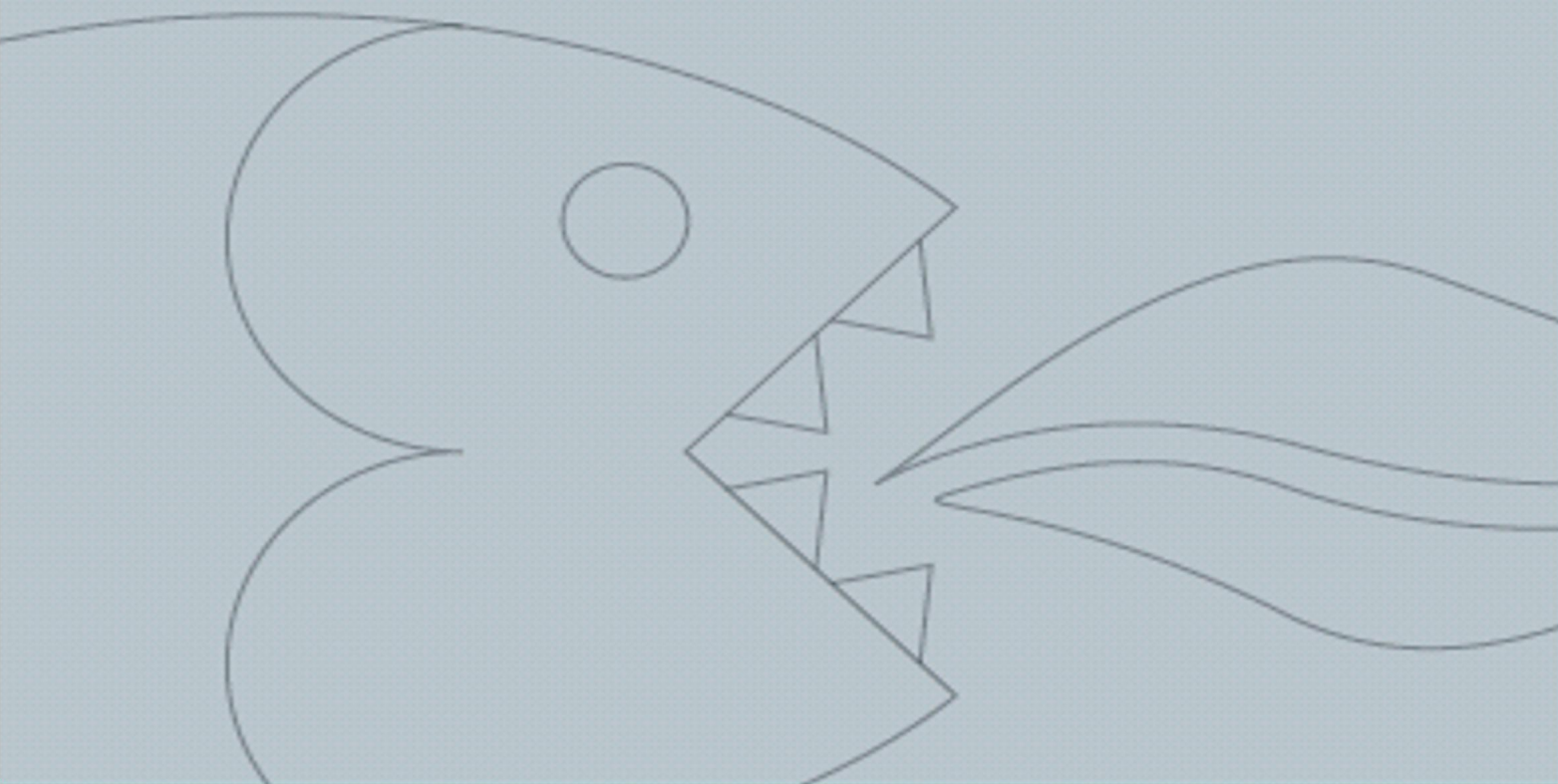


**P75SS/P76SS/PF75SS  
Pythagora 75cm gas hob  
P90SS Pythagora 90cm  
gas hob**

**Instruction manual**



  
**Baumatic®**

# User Manual for your Baumatic

**P75SS/P76SS Pythagora 5 burner 75cm  
gas hob**

**PF75SS Flush mounted Pythagora 5 burner  
75cm gas hob**

**P90SS Pythagora 5 burner 90cm gas hob**



  
**Baumatic®**


*You will be mine*

***NOTE: This User Instruction Manual contains important information, including safety & installation points, which will enable you to get the most out of your appliance. Please keep it in a safe place so that it is easily available for future reference; for you or any person not familiar with the operation of the appliance.***

DD 26/10/06

<b>Environmental note</b>	4
<b>Important safety information</b>	5 – 7
<b>Specifications</b>	8
Product & Aperture dimensions	8
Product specifications	9
Standard accessories	9
Electrical details	9
Gas details	9
Gas hob surface layout	10
<b>Using the gas hob</b>	11
Before first use	11
Turning the hob on	11
Automatic electric ignition	11
Energy saving tips	12
<b>Cleaning</b>	13
Cleaning the hob top	13
After each use	13
Cleaning the hob burners	13 - 14
<b>Installation</b>	14
Positioning	15
Unpacking the appliance	16
Installing the appliance	16 – 18
Gas connection	19
Ventilation requirements	19 - 20
Gas Safety (Installation and Use) Regulations	20 – 21
Gas Adjustment (Conversion to LPG and flow adjustment)	21 – 22
Gas tap maintenance	22 - 23
Electrical connection	23
Replacing the mains supply cable	23 - 24
<b>My appliance isn't working correctly</b>	24
<b>Baumatic Ltd. Conditions of Guarantee</b>	25
<b>Contact details</b>	26

**This appliance is marked according to the European directive 2002/96/EC on Waste electrical and Electronic Equipment (WEEE). By ensuring this product is disposed of correctly, you will help prevent potential negative consequences for the environment and human health, which could otherwise be caused by inappropriate waste handling of this product.**

The symbol  on the product, or on the documents accompanying the product, indicates that this appliance may not be treated as household waste. Instead it shall be handed over to the applicable collection point for the recycling of electrical and electronic equipment.

**Disposal must be carried out in accordance with local environmental regulations for waste disposal.**

**For more detailed information about treatment, recovery and recycling of this product, please contact your local city office, your household waste disposal service or the shop where you purchased the product.**



- The packaging materials that Baumatic uses are environmentally friendly and can be recycled.
- Please discard all packaging material with due regard for the environment.

## Important safety information



Your safety is of the utmost importance to Baumatic. Please make sure that you read this instruction booklet **before** attempting to install or use the appliance. If you are unsure of any of the information contained in this booklet, please contact the Baumatic Technical Department.

### General Information

- This appliance is designed for domestic household use and for the cooking and frying of domestic foodstuffs.
- **IMPORTANT:** The adjacent furniture and all materials used in the installation **must** be able to withstand a minimum temperature of 85°C above the ambient temperature of the room it is located in, whilst in use.
- Certain types of vinyl or laminate kitchen furniture are particularly prone to heat damage or discolouration at temperatures below the guidelines given above.
- Any damage caused by the appliance being installed in contravention of this temperature limit, **will be the liability of the owner.**
- Your new appliance is guaranteed against electrical or mechanical defects, subject to certain exclusions that are noted in Baumatic's Conditions Of Guarantee. The foregoing does not affect your statutory rights.
- The use of this appliance for any other purpose or in any other environment without the express agreement of Baumatic Ltd. will invalidate any warranty or liability claim.
- You should not use this appliance to store items on or as a work surface.
- No modifications to the appliance are permitted by Baumatic Ltd.
- You should not store or place flammable or highly flammable liquids/materials on top of or near the appliance. Items made from aluminium, plastic or plastic film should also be kept away from the appliance, as they may fuse to the surface.
- **Repairs may only be carried out by Baumatic Service Engineers or their authorised service agent.**

## Child Safety

- Baumatic strongly recommend that babies and young children are prevented from being near to the appliance and not allowed to touch the appliance **at any time**. During and after use, all surfaces will become hot.
- If it is necessary for younger family members to be in the kitchen, please ensure that they are kept under close supervision at all times.
- Older children should only be allowed to utilise the appliance when supervised.

## General Safety

- ✓ The appliance should only be installed and connected by a CORGI registered installer.
- ✓ Care should be taken to ensure that the units and work surfaces that you build the appliance into, meet with the relevant standards.

## During use

- ✓ Any film or stickers that are present on the hob surface when it is delivered should be removed before use.
- ✓ Care should be used when utilizing the appliance, otherwise there is a risk of burns being caused.
- You should not allow the electrical connection cables to come into contact with the hob surface when it is hot or any hot cookware.
- If fat and oil overheats, then it can ignite extremely quickly. For this reason, when cooking with fat and oil the appliance should not be left unattended.
- ✓ Make sure that all of the cooking zones are switched off after use.

## Cleaning

- Cleaning of the hob should be carried out on a regular basis.
- **IMPORTANT:** Before attempting to clean the appliance, it should be disconnected from the mains and cool.

- Great care should be taken whilst using this appliance and when following the cleaning procedure.
- You should not use a steam jet or any other high pressure cleaning equipment to clean the appliance.

## Installation



**This appliance must be correctly installed by a CORGI registered installer, strictly in accordance with the manufacturer's instructions and the relevant British Standards. Please see the specific section of this booklet that refers to installation.**

- **Baumatic Ltd. declines any responsibility for injury or damage, to person or property, as a result of improper use or installation of this appliance.**
- **If the appliance is being used in a Leisure Accommodation Vehicle, the requirements of N 721 MUST be followed.**
- **Baumatic Ltd. DO NOT recommend that this appliance is installed on any type of marine vessel.**

## Declaration of conformity

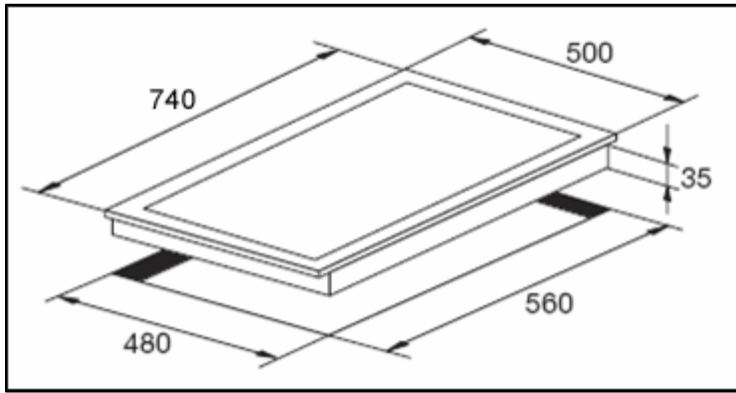
This appliance complies with the following European Directives:

- 73/23/EEC dated 19/02/1973 Low Voltage Directive.
- 89/336/EEC dated 03/05/1989 EMC Directive inclusive of Amending Directive 92/31/EEC.
- 93/68/EEC dated 22/07/1993 CE Marking Directive.
- 89/109/EEC dated 25/01/1992 Materials that can touch food.
- 90/396/EEC Gas Products.
- EN60335-1, EN60335-2, EN301-1 Safety Standards.

The manufacturer declares that the hob is built using certified materials and requires the appliance to be installed in accordance with the standards currently in force. This appliance must be used by a trained person for domestic purposes only.

# Specifications

## P75SS & P76SS



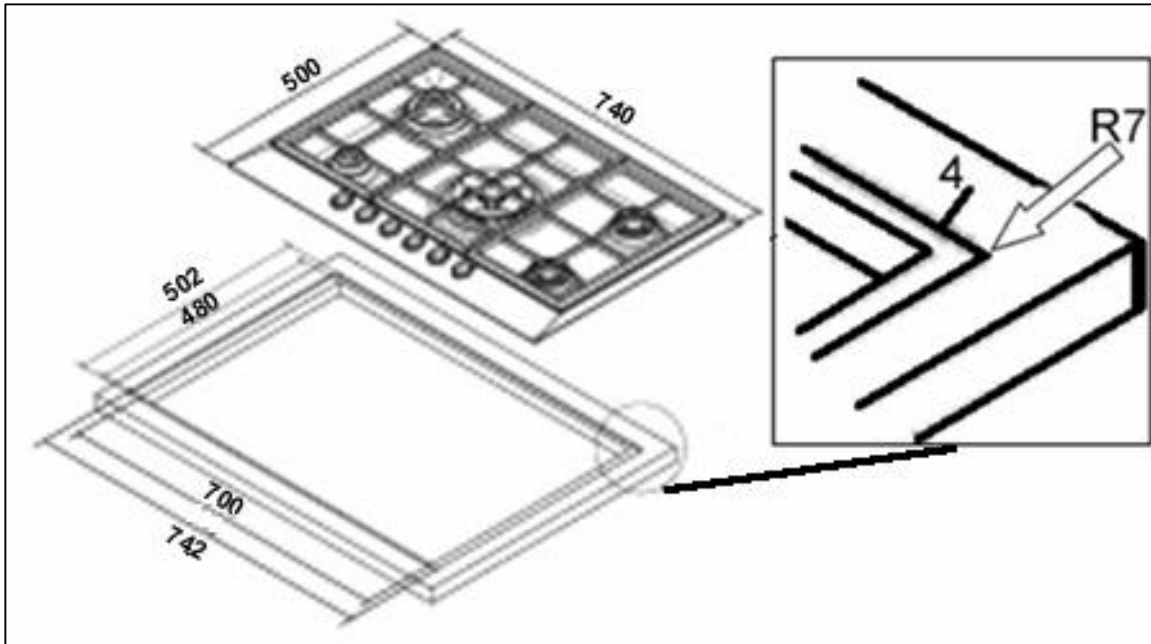
### Product dimensions:

Height: 500 mm  
Width: 740 mm  
Depth: 35 mm

### Aperture dimensions:

Height: 480 mm  
Width: 560 mm

## PF75SS



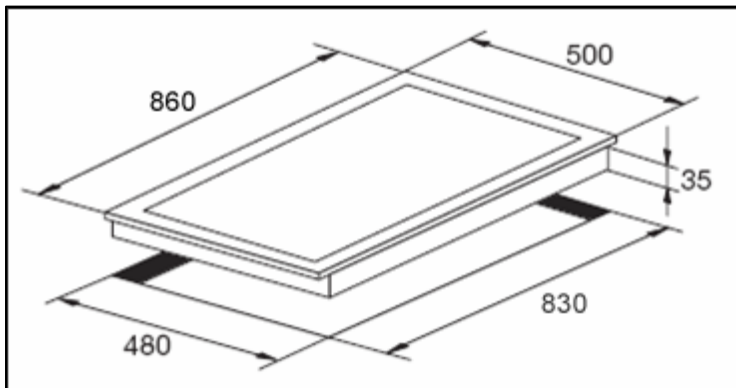
### Product dimensions

Height: 500 mm  
Width: 740 mm

### Aperture dimensions:

Height:(inner) 700 mm  
Height:(outer) 742 mm  
Width: (inner) 480 mm  
Width: (outer) 502 mm

## P90SS



### Product dimensions:

Height: 500 mm  
Width: 860 mm  
Depth: 35 mm

### Aperture dimensions:

Height: 480 mm  
Width: 830 mm



## Product specifications:

- 1 x 4.50 kW Hypergas burner
- 1 x 3.00 kW rapid burner
- 2 x 1.75 kW semi-rapid burners
- 1 x 1.00 kW auxiliary burner
- Flame failure safety device on each burner
- Front control operation
- Heavy duty cast iron pan stands
- Underknob auto-ignition
- Hypergas extra powerful wok burner (4.50 kW)

## Standard accessories:

- LPG Conversion jets
- Wok Stand

## Electrical details

<b>Rated Voltage:</b>	230 Vac 50 Hz
<b>Supply Connection:</b>	3 A (double pole switched fused outlet with 3mm contact gap)
<b>Max Rated Inputs:</b>	0.008 to 0.02 kW (depending on model)
<b>Mains Supply Lead:</b>	3 core x 0.75mm <sup>2</sup>

## Gas details

<b>Connection:</b>	Rp ½ (ISO R7)
<b>Type:</b>	Natural Gas (20.9 mbar), alternative LPG G30 (28-30 mbar), town gas G110 – 120 (8 mbar) to order.

For future reference please record the following information which can be found on the rating plate and the date of purchase which can be found on your sales invoice. The rating plate of your hob is located on the underneath of the appliance. Therefore it is a good idea to record this information before you install your appliance.

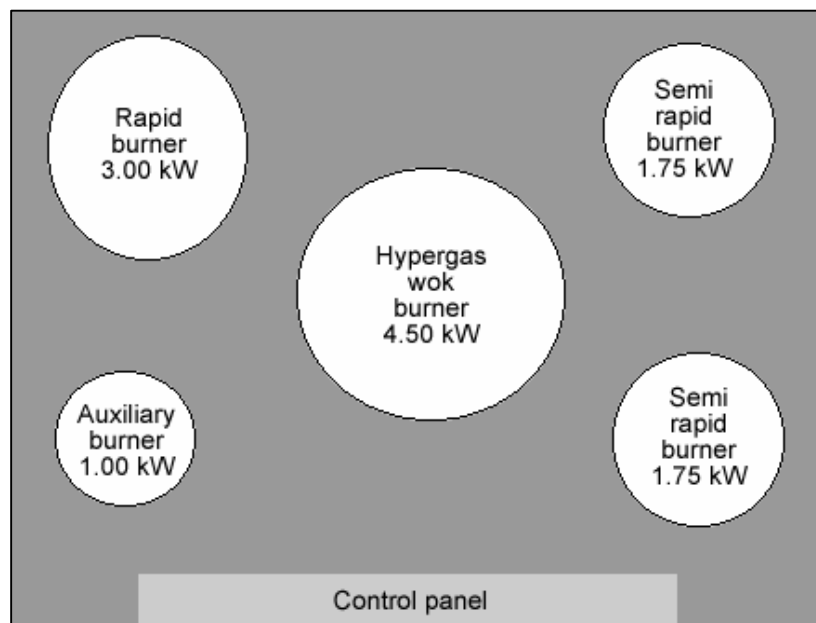
**Model Number** .....

**Serial Number** .....

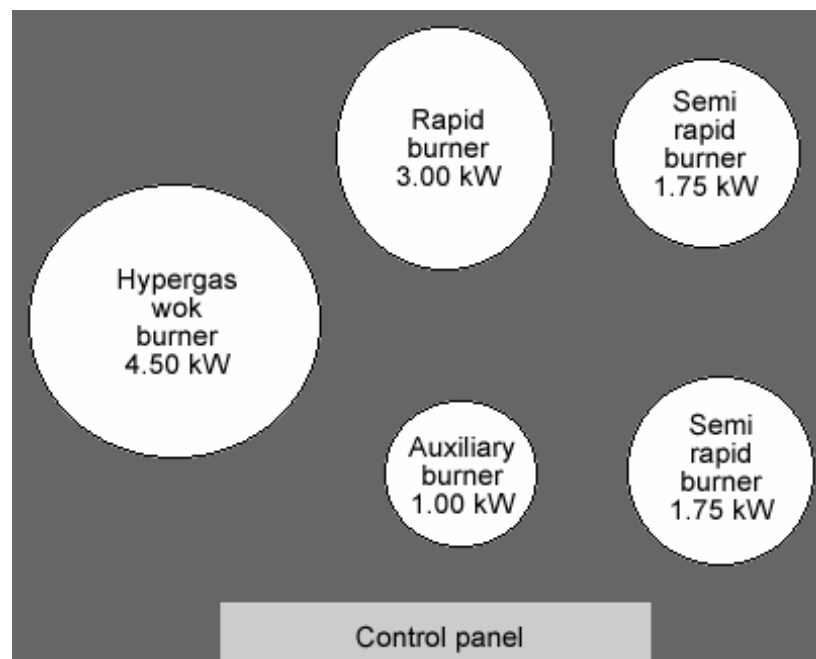
**Date of Purchase** .....

# Gas hob surface layout

## P75SS, PF75SS & P90SS



## P76SS



## Using the gas hob

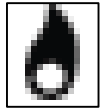


**IMPORTANT:** You should clean the hob surface (see "Cleaning and maintenance" section).

The following symbols will appear on the control panel, next to each control knob:



Black circle: gas off



Large flame: maximum setting



Small flame: minimum setting

- The minimum setting is at the end of the anti-clockwise rotation of the control knob.
- All operation positions must be selected between the maximum and minimum positions.
- Never select a knob position between the maximum and off position.

### Automatic electric ignition

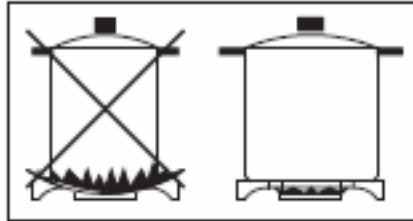
To ignite a burner:

- Press in the control knob of the burner that you wish to light and turn it anti-clockwise to the minimum position.
- If you keep the control knob depressed, the automatic ignition for the burner will operate.
- As each burner has a flame failure safety device, once the burner has lit, you will need to keep the control knob pressed in for approximately 10 seconds.
- If after you let go of the control knob, the flame goes out, you should repeat the above process.
- In case of power failure, the burners can be lit by carefully using a match.
- If the burner flame goes out once it is lit, then the flame failure safety device will cut the supply of gas to the burner.

## Energy saving tips

BURNERS	PANS	
	Ø min.	Ø max.
RAPID	180 mm	220 mm
SEMIRAPID	120 mm	200 mm
AUXILIARY	80 mm	160 mm
WOK	220 mm	260 mm

- The diameter of the bottom of the pan should correspond to that of the burner.



- The burner flame must never extend beyond the diameter of the pan.
- Use flat bottomed pans only
- When possible, keep a lid on the pan whilst cooking.
- Cook vegetables with as little water as possible, to reduce cooking times.

**IMPORTANT:** Always place pans centrally over the hob burners and position them so that the handles cannot get accidentally caught or knocked off. You should also make sure that the handle is not over one of the other hob burner flames.



**Cleaning operations must only be carried out when the hob is cool.**

**The appliance should be disconnected from your mains supply before commencing any cleaning process.**

### Cleaning the hob top



Any residues that are left on the hob top surface from cleaning agents **will** damage it. You should remove any residues with water and a little washing up.



Abrasive cleaners or sharp objects will damage the hob surface; you should clean it using water and a little washing up liquid.



**Although it is easier to clean some deposits whilst the hob surface is still warm. Make sure that the hob surface, pan supports and hob burners have all cooled sufficiently before you attempt to touch them.**

### After each use

- Remove the pan supports and wipe the appliance over with a damp cloth and a little washing up liquid.
- Dry the appliance by rubbing the surface with a soft, clean cloth.

### Cleaning the hob burners

The hob burners should be cleaned once a week or more frequently if they get soiled.

- **IMPORTANT:** Make sure that the hob surface, pan supports and hob burners have cooled before you attempt to touch them.
- Remove the hob burners by pulling them upwards and away from the hob top.
- Soak them for about ten minutes in hot water and a little detergent.
- After cleaning and washing them, wipe and dry them carefully.
- Before placing the burners back on the hob top, **make sure that the gas jet is not blocked.**

- **IMPORTANT:** Make sure that you reassemble the burners in the original way.

## Installation



**The installation must be carried out by a CORGI registered installer, in accordance with the current version of the following.**

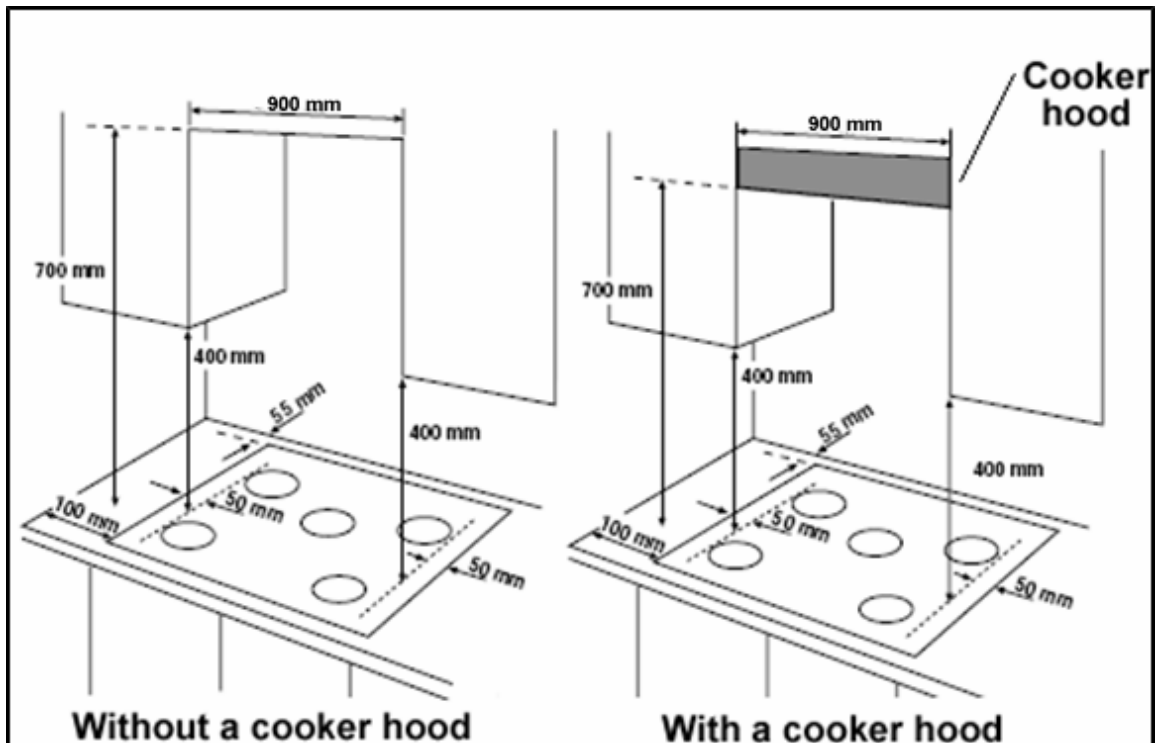
- Gas safety Regulations (Installation & Use)
- Building Regulations (issued by the Department of Environment)
- Building Standards (Issued by the Scottish Development Department)
- IEE Wiring Regulations
- Electricity at Work Regulations BS 6172
- Installation of Domestic Gas Cooking Appliances (if necessary, BS 5482 Installation of Domestic LPG Appliances)
- BS 5440 Installation of Flues and Ventilation for Gas Appliances
- Baumatic Ltd Installation Instructions

## Positioning



The adjacent furniture must be able to withstand a minimum temperature rise of 85°C above the ambient temperature of the room it is located in, during periods of use.

- This appliance can be located in a kitchen, a kitchen diner or a bed sitting room. **IMPORTANT:** The appliance must not be installed in a bathroom or shower room.



This appliance is classified as Class 3 and therefore is to be built into a kitchen unit (depending on size) or 600mm worktop, providing the following minimum distances are allowed:

- The edges of the hob must be a minimum distance of 55 mm from a side or rear wall.
- 700 mm between the hob surface and the underside of any horizontal surface directly above it.
- 400 mm between the hob surface, providing that the underside of the horizontal surface is at least 50 mm away from the outer edge of the hob.
- 50 mm clearance around the appliance and between the hob surface and any combustible materials.

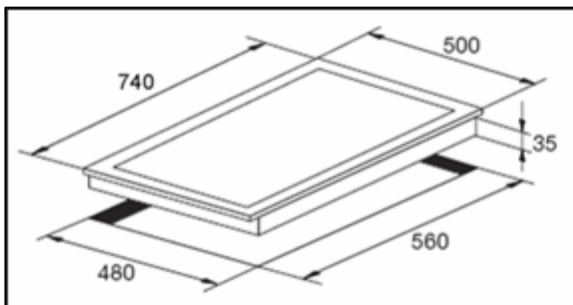
## Unpacking the appliance

When unpacking the appliance please check that the following items are contained within the packaging:

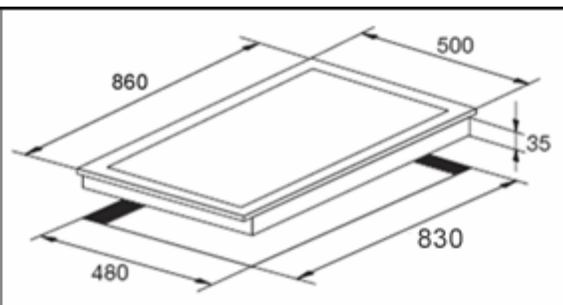
- 1 x Baumatic hob
- 2 x Pan supports
- 4 x Burner assemblies
- 1 x Installation and instruction manual
- 1 x Baumatic guarantee card
- 4 x Fixing screws
- 4 x Clamps
- 1 x Sealing strip
- 4 x LPG jets
- 1 x Self-adhesive label for amending the Gas Category on the appliance's rating plate (required if the LPG conversion kit is used).

## Installing the appliance

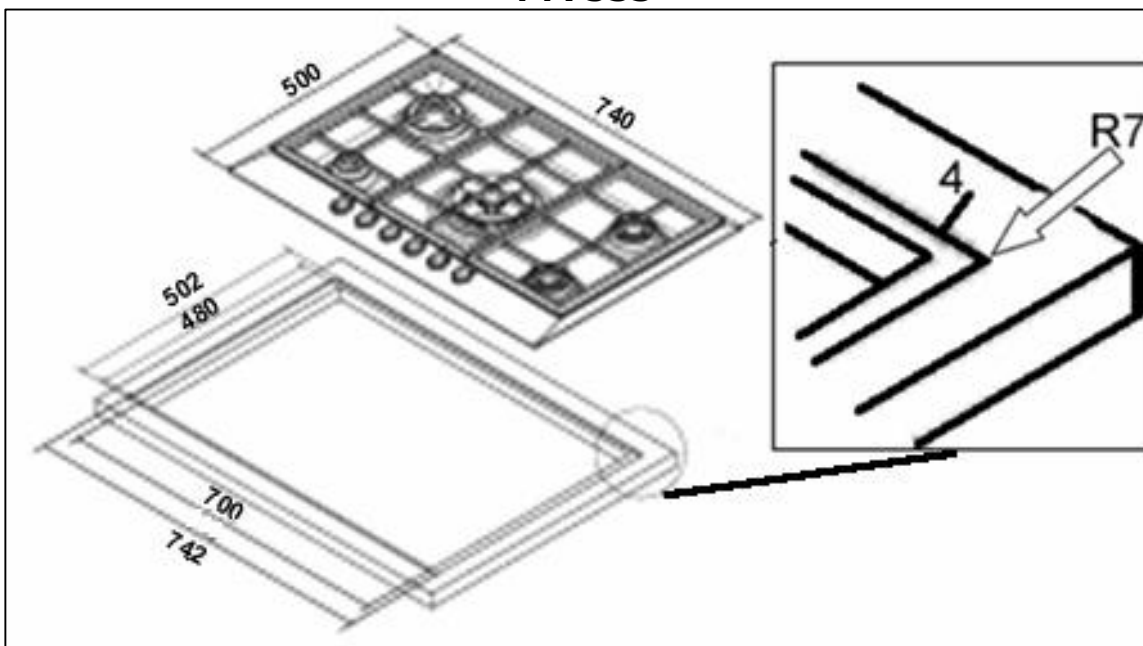
**P75SS & P76SS**



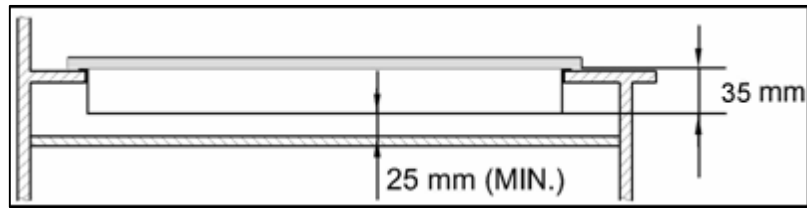
**P90SS**



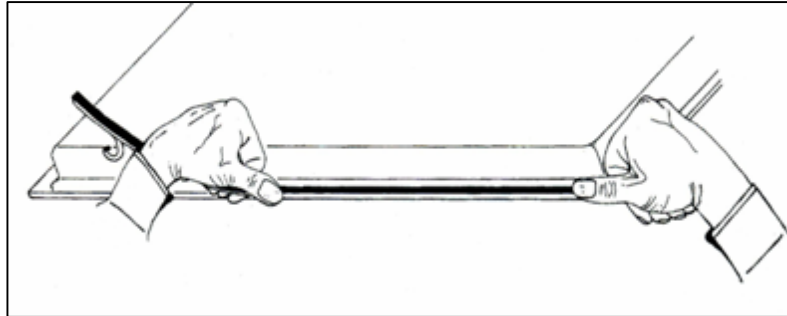
**PF75SS**



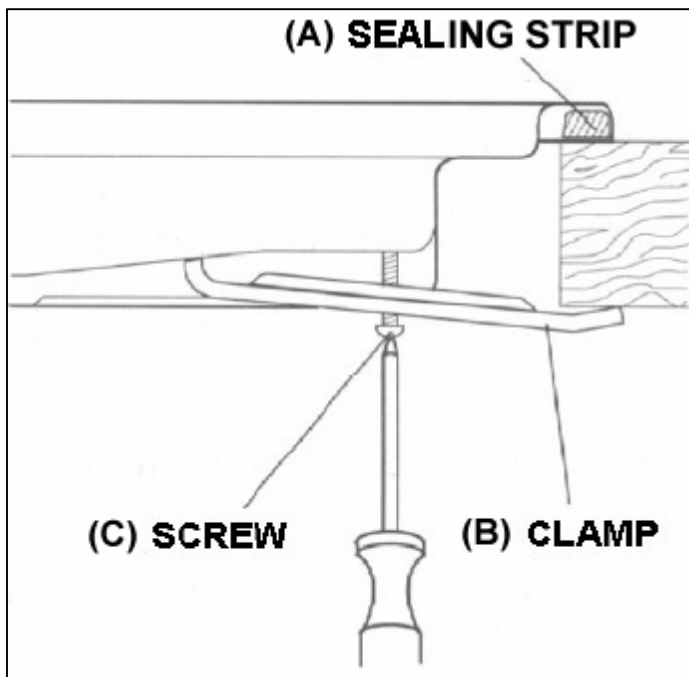




- Cut a hole in the worktop that corresponds with the drawing shown above and on the previous page.
- **IMPORTANT:** You must have a gap of at least 25 mm between the underneath of the appliance and any surface that is below it.



- Carefully turn the hob upside down and place it on a cushioned mat.
- Apply the sealing strip **(A)** provided around the edge of the appliance.
- The protective covering must be removed from both sides.
- Do not leave a gap in the sealing agent or overlap the thickness.
- **IMPORTANT:** Do not use a silicon sealant to seal the appliance against the aperture. This will make it difficult to remove the hob from the aperture in future, particularly if it needs to be serviced.



- (A) Sealing strip
- (B) Clamp
- (C) Screw

- Place the clamp **(B)** over the holes that match the size of the screws. There are one set of screw holes in each corner of the hob. Slightly tighten a screw **(C)** through the clamp **(B)** so that the clamp is attached to the hob, but so that you can still adjust the position of it.
- Carefully turn the hob back over and then gently lower it into the aperture hole that you have cut out.
- On the underneath of the hob, adjust the clamps into a position that is suitable for your worktop. Then fully tighten the screws **(C)** to secure the hob into position.

## Gas connection



**This appliance must be installed by a competent person in accordance with the current versions of the following UK (United Kingdom) or ROI (Republic of Ireland) Regulations and Safety Standards or their European Norm Replacements.**

### Important information

- This cooker is supplied to run on **natural gas only** and cannot be used on any other type of gas without modification.
- Conversion for use on LPG and other gases must only be undertaken by a qualified person. For information on the use of other gases, please contact the Baumatic Technical Department.
- The cooker must be installed by a qualified person, in accordance with the current edition of the Gas Safety (Installation and Use) (Amendment) Regulations and the relevant building/I.E.E. Regulations.
- Failure to install the appliance correctly could invalidate Baumatic's guarantee and lead to prosecution under the regulations quoted above.
- In the UK, **CORGI** registered installers are authorised to undertake the installation and service work, in compliance with the above regulations.

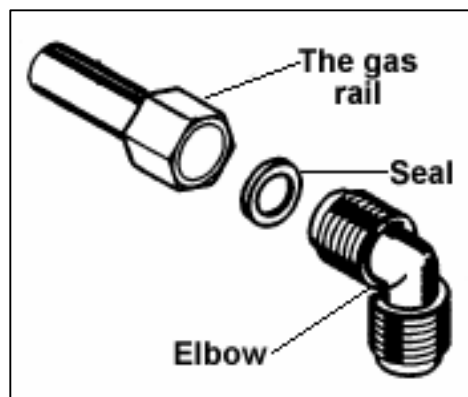
### Ventilation requirements

- The room containing the cooker should have an air supply in accordance with the current edition of BS 5440: Part 2:
- The room must have opening windows or equivalent; some rooms may also require a permanent vent.
- If the room has a volume between 5 and 10m<sup>3</sup>, it will require an air vent of 50cm<sup>2</sup> (effective area). Unless it has a door which opens directly to the outside.
- If the room has a volume of less than 5m<sup>3</sup>, it will require an air vent of 100cm<sup>2</sup> (effective area).
- If it is installed in a room with a volume that exceeds 11m<sup>3</sup>, then no air vent is required.

- If there are any other fuel burning appliances in the same room the current edition of BS 5440: Part 2: should be consulted to determine air vent requirements.
- Ensure that the room containing the cooker is well ventilated, keep natural ventilation holes or install a mechanical ventilation device (mechanical cooker hood).
- Prolonged intensive use of the appliance may call for additional ventilation, either by the opening of a window, or by increasing the level of the mechanical ventilation device (where present).
- This hob is not fitted with a device for discharging the products of combustion. Ensure that the ventilation rules and regulations are followed.
- The walls behind and near the hob should be resistant to heat, steam and condensation.
- Remember that the quantity of air necessary for combustion must never be less than 2m<sup>3</sup>/h for each kW of power (see total power in kW on the appliance rating plate).

### **Gas Safety (Installation and Use) Regulations**

- It is the law that all gas appliances are installed by competent persons in accordance with the current edition of the **Gas Safety Installation and Use Regulations**.
- It is in your interest and that of safety to ensure compliance with the law.
- In the UK, CORGI registered installers work to safe standards of practice. The cooker must also be installed in accordance with the current edition of BS 6172. Failure to install the cooker correctly could invalidate the warranty, liability claims and lead to prosecution.



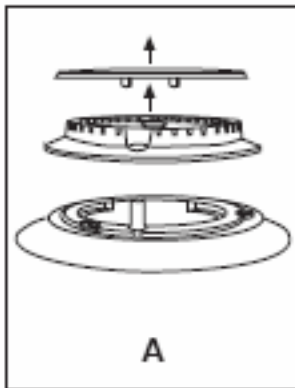
- Put the gas seal into the elbow.
- Fully tighten the elbow and seal onto the gas rail.
- The elbow **MUST** be pointing in a downwards direction.
- Gas pressure may be checked on a semi-rapid hob burner. Remove the appropriate injector and attach a test nipple. Light the other burners and observe that the gas pressure complies with the gas standards in force.
- **IMPORTANT: On completion carry out a gas soundness test.**

### Gas adjustment (Conversion to LPG and flow adjustment).

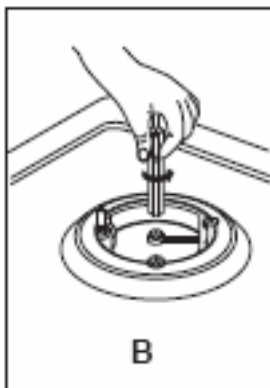


**All work must be carried out by a CORGI registered engineer.**

**IMPORTANT: Always isolate the cooker from the electricity supply before changing the injectors and/or adjusting the minimum flow of the burners.**



- Remove the pan-stands, burners and flame spreaders **(A)**.



- Unscrew the injector **(B)** and replace it with the stipulated injector for the new gas supply (see table below).

GENERAL INJECTORS TABLE				
Kind of gas	Nozzle mm/100	Burners Position-type	Power Watt	
			max.	min.
NATURAL	115	-Rapid	3000	750
	97	-Semi rapid	1750	440
	72	-Auxiliary	1000	300
	124	-Wok	3300	1300
L.P.G. BUTANE PROPANE	85	-Rapid	3000	750
	65	-Semi rapid	1750	440
	50	-Auxiliary	1000	300
	91	-Wok	3300	1300

- Reassemble all the burners carefully; in particular you should make sure that the flame spreader is correctly placed on the burner.

### Gas tap maintenance



**These maintenance operations MUST ONLY be carried out by a CORGI registered engineer.**

**IMPORTANT: Before carrying out any maintenance operations, disconnect the appliance from the gas and electricity supplies.**

If a gas tap becomes stiff to operate, then you should proceed as follows:

- Remove the control knobs, pan supports, burners, hob fixing screws and clamps.
- Remove the hob from the worktop and remove any underside protective covers.
- Disconnect the fixings holding the tap to the fascia panel and separate the assembly. Then clean the cone and seating, with a cloth dampened with solvent.
- Lightly smear the cone with high temperature grease, reassemble into position and rotate a few times.
- Remove the cone again and remove any excess grease, making sure that the gas ducts are not obstructed with grease.
- Carefully reassemble the components and perform a gas soundness test.

If it becomes necessary to replace a gas tap, then you should proceed as follows:

- Remove the control knobs, pan supports, burners, hob fixing screws and clamps.
- Remove the hob from the worktop and remove any underside protective covers.
- Disconnect the fixings holding the tap to the fascia panel and separate the assembly.
- Disconnect the gas pipe from the gas tap, then disassemble them from the gas rail by removing the fixing screws.
- When fitting a new tap, ensure that a new gasket is used.
- Reconnect the gas tap, perform a gas soundness test and then reassemble the hob.

### **Electrical connection**



**This appliance must be installed by a qualified person in accordance with the latest edition of the I.E.E. Regulations and in compliance with Baumatic's instructions.**

Before connecting the appliance, make sure that the supply voltage marked on the rating plate corresponds with your mains supply voltage.

- Cable type: H05 RRF 3 core x 0.75 mm<sup>3</sup>
- The mains supply cable is supplied with this product.

### **Replacing the mains supply cable**

If the mains supply cable is damaged, then it must be replaced by an appropriate replacement which can be obtained from the Baumatic Spares Department.

The mains supply cable should be replaced in accordance with the following instructions:

- **Switch the appliance off at the control switch.**
- Open the box of the supply board.
- Unscrew the clamp (A) fixing the cable.

- Replace the cable with one of the same length and in accordance with the specification given above.
- The “green-yellow” earth wire must be connected to the terminal marked  $\perp$ . It must be about 10 mm longer than the live and neutral wires.
- The “blue” neutral wire must be connected to the terminal marked with letter (N) - the live wire must be connected to the terminal marked with letter (L).

### **My appliance isn't working correctly**



**IMPORTANT: If your appliance appears not to be operating correctly, then you should disconnect it from your mains supply and then contact the Baumatic Service Department on telephone number (0118) 933 6911.**

**DO NOT ATTEMPT TO REPAIR THE APPLIANCE YOURSELF.**

Please note that if an engineer is asked to attend whilst the product is under guarantee and finds that the problem is not the result of an appliance fault, then you may be liable for the cost of the call out charge.

**The appliance must be accessible for the engineer to perform any necessary repair. If your appliance is installed in such a way that an engineer is concerned that damage will be caused to the appliance or your kitchen, then he will not complete a repair.**

**This includes situations where appliances have been tiled in, sealed in with sealant, have wooden obstructions placed in front of the appliance, like plinths. Or any installation other than the one specified by Baumatic Ltd. has been completed.**

Please refer to the conditions of guarantee document on page 25 of this instruction manual for clarification of this.



## Baumatic Ltd. Conditions of Guarantee

Dear Customer,

Your new Baumatic appliance comes complete with a free 12 month guarantee covering both parts and labour costs resulting from defective materials or workmanship.

Baumatic also gives you the opportunity to automatically extend the guarantee period for a further 12 months at no extra cost, giving an initial guarantee period of 24 months. The extended guarantee period applies to England, Scotland, Wales and Northern Ireland only.

To qualify for your full 24 months guarantee you **must** register your appliance within 28 days of purchase to be covered under this guarantee. This can be done online via: [www.baumatic.co.uk](http://www.baumatic.co.uk) or through returning the guarantee card which can be found in each new Baumatic appliance.

\* In addition, your appliance is covered by a 5 year parts warranty. Baumatic Ltd will provide free of charge the parts required to repair the appliance, only if they are fitted by a Baumatic engineer, for any defect that arises due to faulty materials or workmanship within a period of 5 years from the original purchase date.

\* An additional 1 to 3 year insurance scheme for labour is available should you wish to extend the warranty period.

Should any person other than an authorised representative of Baumatic Ltd interfere with the appliance, the policy is negated and Baumatic Ltd will be under no further liability.

The guarantee covers the appliance for normal domestic use only, unless otherwise stated.

Any claims made under the terms of the guarantee must be supported by the original invoice/bill of sale issued at the time of purchase.

This guarantee is transferable only with the written consent of Baumatic Ltd.

If the appliance fails and is considered either not repairable or uneconomical to repair during the manufacturer warranty period, a free of charge replacement will not be offered.

The guarantee for any replacement will only be for the remainder of the guarantee on the original product purchased.

The guarantee does not cover:

- Sinks and taps
- Failure to comply with the manufacturers instructions for use.
- The replacement of cosmetic components of accessories
- Accidental damage or wilful abuse.
- Subsequent loss or damage owing to the failure of the appliance or electrical supply
- Incorrect installation
- Losses caused by Acts of God, civil war, failure to obtain spare parts, strikes or lockouts
- Filters, fuses, light bulbs, external hoses, damage to bodywork, paintwork, plastic items, covers, baskets, trays, shelves, burner bases, burner caps, decals, corrosion, rubber seals.

In the course of the work carried out it may be necessary to remove the appliance from it operating position. Whilst all reasonable care will be taken, Baumatic Ltd cannot accept responsibility for damage sustained to any property whatsoever in this process.

This guarantee is in addition to and does not diminish your statutory or legal rights.

Contacting Baumatic Ltd

Sales	Service	Spares	Technical/Advice
TEL: 0118 933 6900	TEL: 0118 933 6911	TEL: 0118 933 6922	0118 933 6933
FAX: 0118 931 0035	FAX: 0118 986 9124	FAX: 0118 933 6942	0118 933 6942

For ROI (Republic of Ireland), please contact one of the numbers below:  
TEL: 01 – 6266798                      FAX: 01 - 6266634

Thanks you for buying Baumatic.

\* Applies to UK, Scotland, Wales & Northern Ireland only (Republic of Ireland has 1 year labour & 1 year parts warranty only)

# Baumatic Ltd

*You will be mine*

## **Headquarters**

Baumatic Ltd.  
Baumatic Buildings,  
6 Bennet Road,  
Reading,  
Berkshire  
RG2 0QX, United Kingdom

Sales Telephone  
+44 118 933 6900

Sales Fax  
+44 118 931 0035

Service Telephone  
+44 118 933 6911

Service Fax  
+44 118 986 9124

Spares Telephone  
+44 118 933 6922

Technical / Advice Telephone  
+44 118 933 6933

## **E-mail:**

[sales@baumatic.co.uk](mailto:sales@baumatic.co.uk)

[technical@baumatic.co.uk](mailto:technical@baumatic.co.uk)

Http (Internet site):  
[www.baumatic.com](http://www.baumatic.com)

