

Installation of the Door Entryphone System

From an electrical point of view, the combined systems may be regarded as separate door entry and coded access systems with the exception of a common lock release. The coded access system and its installation is described in detail in the preceding half of this manual. The wiring diagram on page 64 shows the wiring connections for the Door Entry Telephone System, including the simple connections which interface with the model 200 Coded Access Controller.

The Model 801 Door Entry Telephone

This is designed to be wall mounted in a convenient indoor location.

The Entrance Panel

The entrance panel, containing the speech unit, is supplied with either a surface or flush-mounting back box. It should be mounted on a wall near the front door, and in a sheltered location.

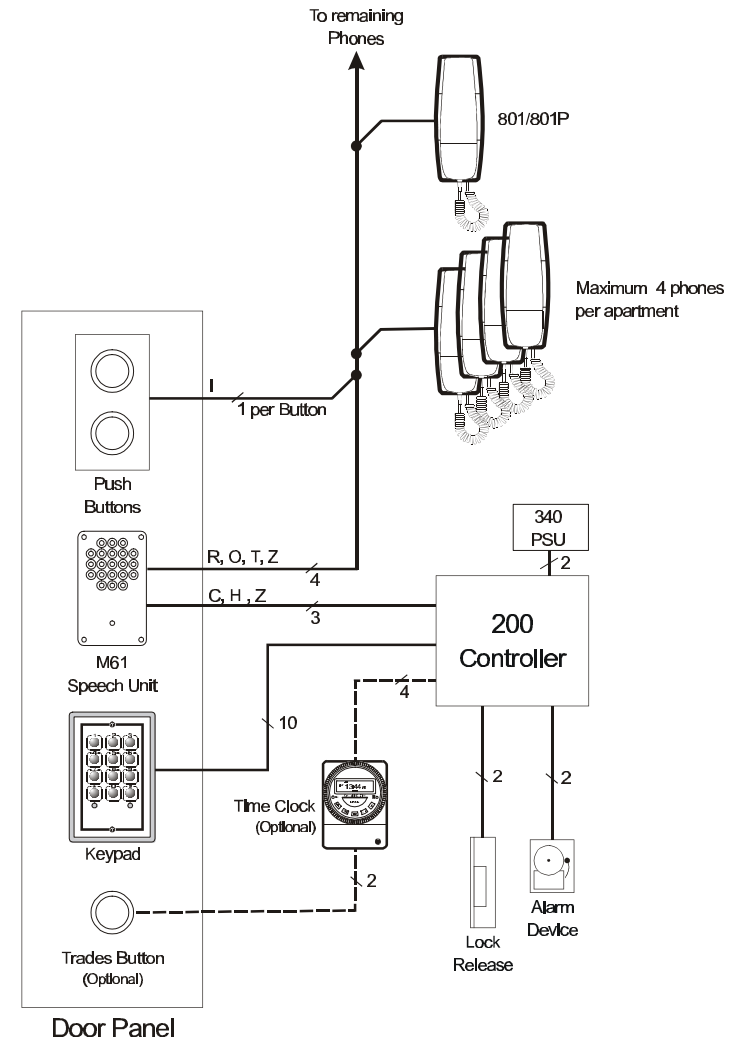
Extension Phones

Each apartment can have up to 3 extension phones (4 phones in total).

Tradesman button (optional)

This is used in conjunction with a time-clock (such as the TS2000) to allow tradesmen access during restricted hours. The time-clock may be 240V AC or 12V DC operated, but must have a voltage-free isolated contact.

Cable Planning



Cable requirements

For optimum clarity of speech it is strongly recommended that this system is installed using twisted-pair telephone cable (e.g. type CW1308). Use one of the pairs for the R & O connection between the speech unit and the telephone.

Connections	No. of cores	Core diameter	Cable length
340 PSU	2	1.0mm	3M max.
Phone	4 + 1 per phone	0.5mm	100M max.
Speech Unit and Keypad	13	0.5mm	100M max.
Lock release (up to 500mA)	2	0.5mm 1.0mm	up to 25M up to 100M
Alarm output (up to 50mA)	2	0.5mm	up to 100M
Time clock	4	0.5mm	100M max.
Exit	2	0.5mm	100M max.
Trades Button	2	0.5mm	100M max.

In most cases cable length restrictions should not present a problem, however where longer lengths are required please refer to the manufacturer for advice.

Installation Procedure

Connect all items by following the wiring diagram, on page 64 or 65. It is strongly recommended that a single telephone be connected at a time and fully tested before proceeding to the next.

Speech adjustment

The model 61 speech unit have two pots at the rear for adjustment of speech levels as follows:

Volume A (Speaker symbol): Speech level at the Entrance Panel

Volume B (Mic Symbol): Speech level at the Telephone

Troubleshooting

Use the table below to determine the most probable cause of a fault condition. Refer also to page 44 for problems with the coded access system.

Telephone Problems

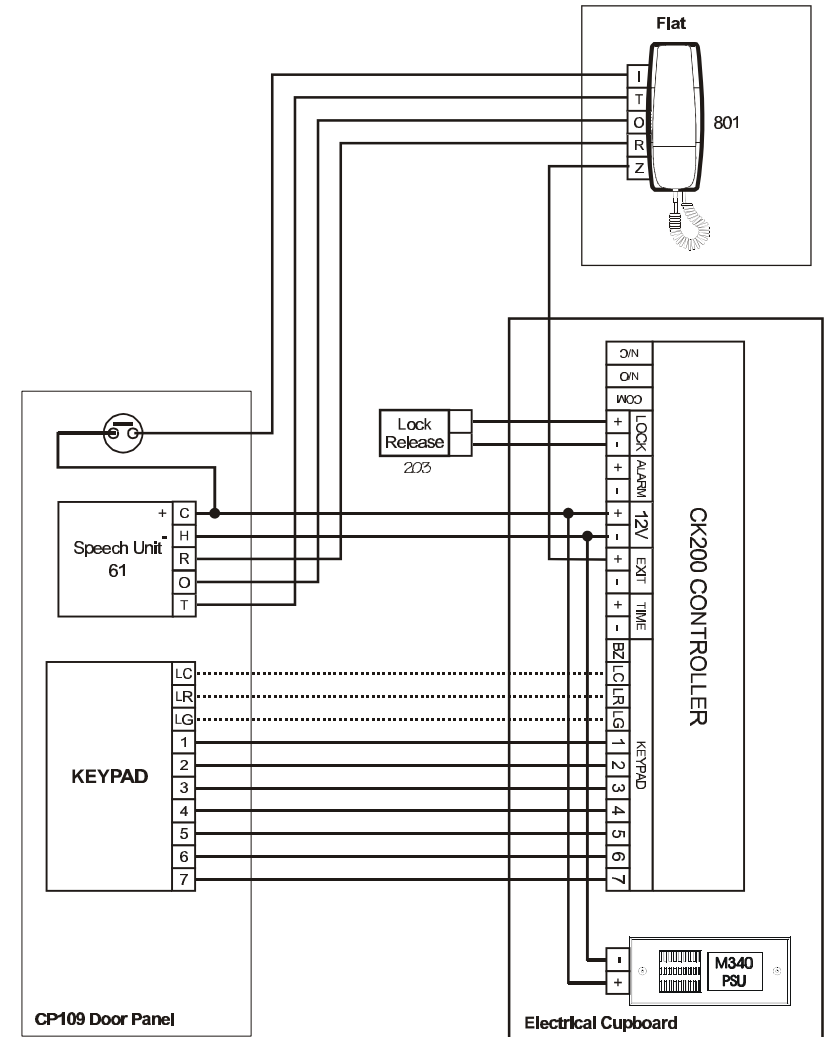
Symptom	Possible Cause/Remedy
Low Speech Volume	<ul style="list-style-type: none"> ● Volume adjustment required on speech unit. ● Speech unit is not tight against the panel grill. ● Panel grill is blocked ● More than one telephone is off the hook. ● Speech unit supply voltage is low. Check 10V - 15V across 'C' and 'H'.

Symptom	Possible Cause/Remedy
Constant tone/feedback when in use.	<ul style="list-style-type: none"> ● Volume adjustment required on the Speech Unit. ● Speech Unit is not tight against the panel grill. ● 'O' connection between Speech unit and telephone is open circuit. ● Entrance panel and telephone are too close together. ● The entrance panel is surrounded by reflecting walls. ● Panel grill is blocked.
No speech when the phone is buzzed	<ul style="list-style-type: none"> ● Wiring fault on the speech signal connections 'R' or 'T': 'R' carries the phone microphone signal to the speech unit; 'T' carries the Speech unit microphone to the phone.

Miscellaneous Problems

Symptom	Possible Cause/Remedy
Telephone will not buzz.	<ul style="list-style-type: none"> Faulty 'O' or 'I' line between power supply and phone. Check 10.5V - 15V across 'I' and 'O' when called.
Telephone 'DOOR' button does not operate release; Controller test button does operate the lock	<ul style="list-style-type: none"> Missing connection to Controller EXIT terminal. Fault on 'Z' or 'O' line. Faulty 'DOOR' button on telephone.
Trades, Exit button or Fire Switch inoperative.	<ul style="list-style-type: none"> Time-Clock is not running or incorrectly set (Trades button only). Faulty 'Z' or 'O' wires between Controller and button / switch. Check lock operates from phone.

CS109 - 1 Wiring



CS109 - N Wiring

