

**CLIPSAL®**  
  
**HERITAGE**

**INTERMEDIATE  
SWITCH**  
(with porcelain base)

Installation Instructions

Catalogue No's.  
1920/30MI  
and  
1920R30MI

**CLIPSAL®**

**Product of Gerard Industries Pty Ltd**

ACN 007 873 529

12 Park Terrace, Bowden, South Australia 5007

Telephone (08) 8269 0511 Facsimile (08) 8340 1724

Internet <http://www.clipsal.com.au>

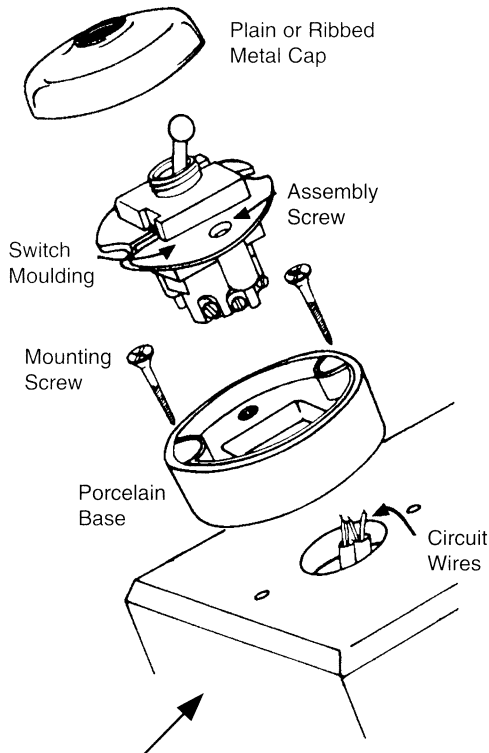
E-Mail [plugin@clipsal.com.au](mailto:plugin@clipsal.com.au)

# CLIPSAL HERITAGE RANGE 1920 SERIES INSTALLATION INSTRUCTIONS

**1920/30MI Series** 250V 10A a.c. only intermediate.

Round Surface Mounting, HERITAGE Switch.  
Terminals accommodate 3 x 2.5mm<sup>2</sup> Cables.  
Motor Rating M40.

## 1920/30MI SWITCH



Insulated Architrave or Clipsal Timber Mounting Block if required.

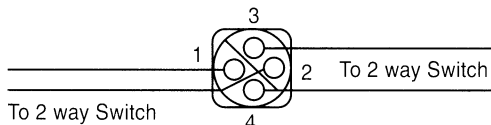
**NOTE:** All permanent electrical installations are required to be made by a licensed electrician, or similarly qualified person.

## IMPORTANT WARNING

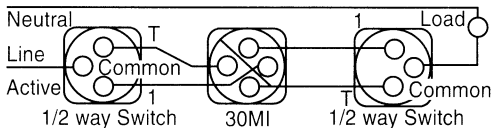
The **1920/30MI Series** switches should be directly mounted onto appropriate wooden architrave or other fully insulated surface, such as Clipsal Timber Mounting Block.

1. Remove metal cap. (Unscrew).
2. Remove switch moulding (2 screws), from porcelain base.
3. Mount porcelain base onto insulated surface over circuit wires (mounting screws arranged horizontally).
4. Place circuit wires into appropriate terminals, then tighten terminal screws.
5. Replace switch moulding onto mounted porcelain base, taking care to orientate "250V 10A" engraving on toggle.
6. Replace metal cap.

## TERMINAL IDENTIFICATION



## SCHEMATIC DIAGRAM



## WIRE STRIP LENGTH

