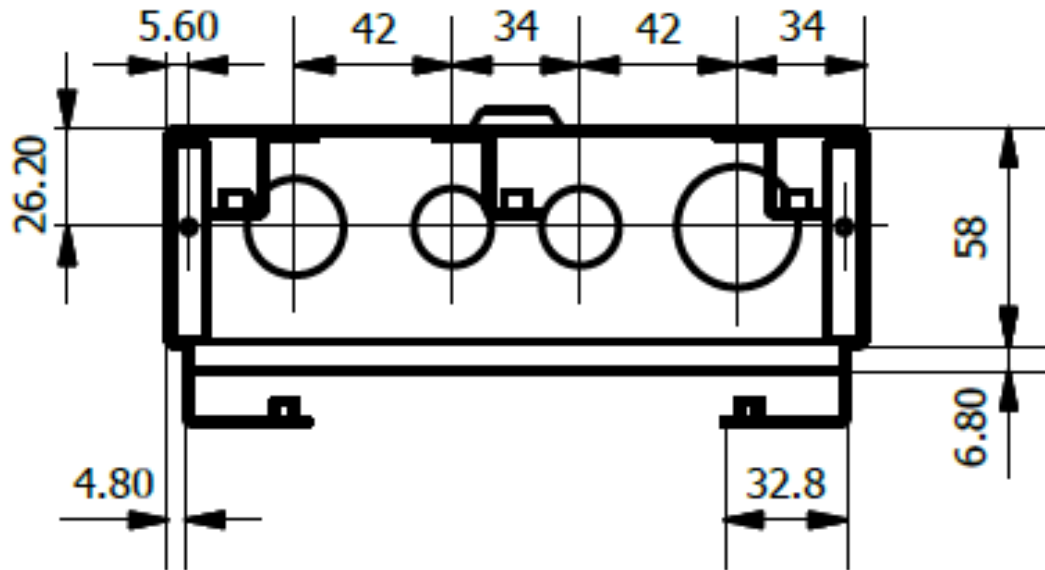


# Defender 1.0

Consumer Unit  
Knockout Placement &  
Dimensions

## 6 Module Enclosure Knockout positions & sizes

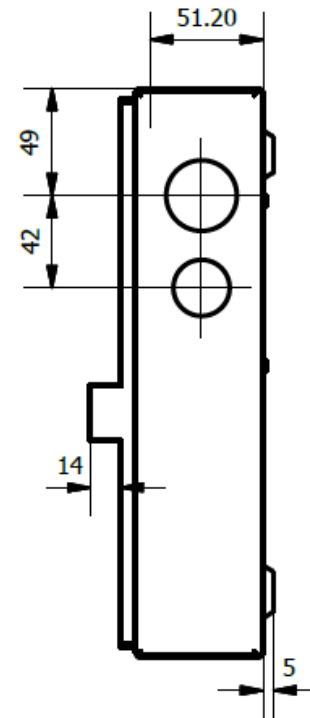


### Bottom & Top Elevations

Diameters: 25mm, 20mm, 20mm, 32mm

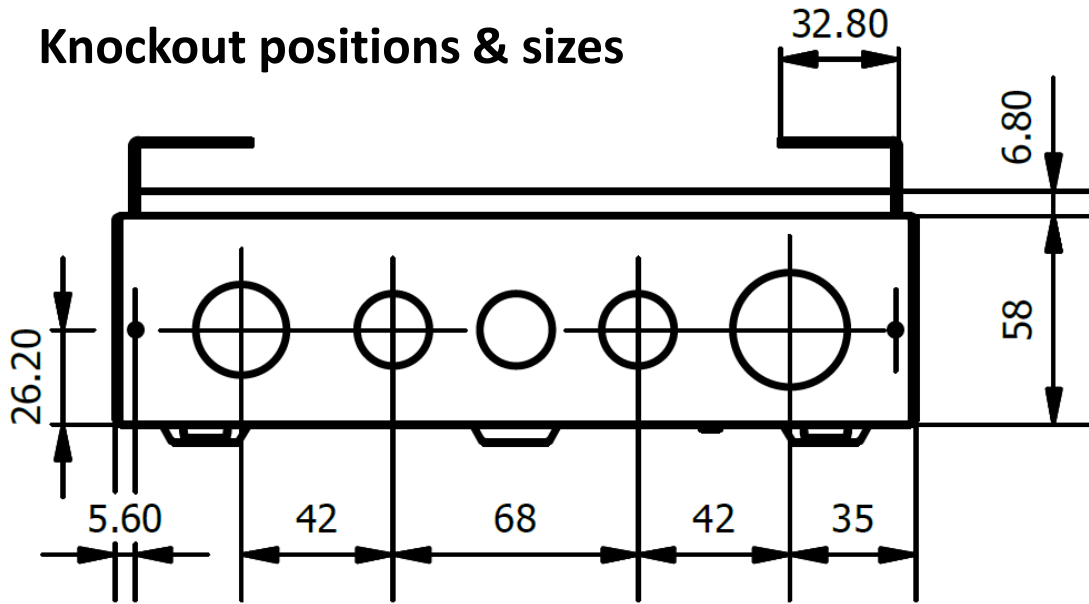
### Side Elevations

Diameters: 32mm, 25mm



DD041MS  
DD044MS  
DD046MS  
DR046MS  
DR044MS  
DR048MS

## 8 Module Enclosure Knockout positions & sizes

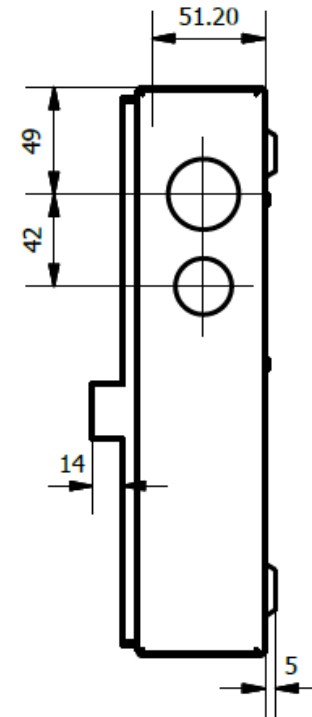


### Bottom & Top Elevations

Diameters: 25mm, 20mm, 20mm, 20mm, 32mm

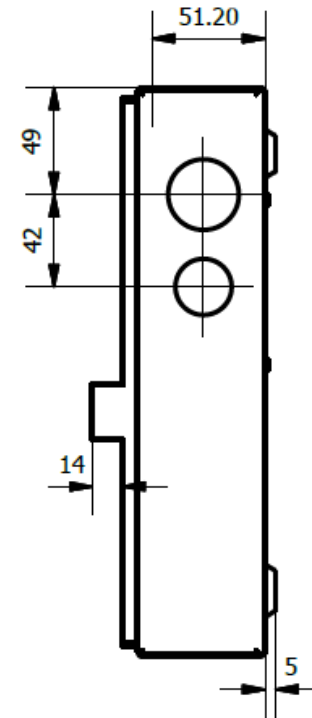
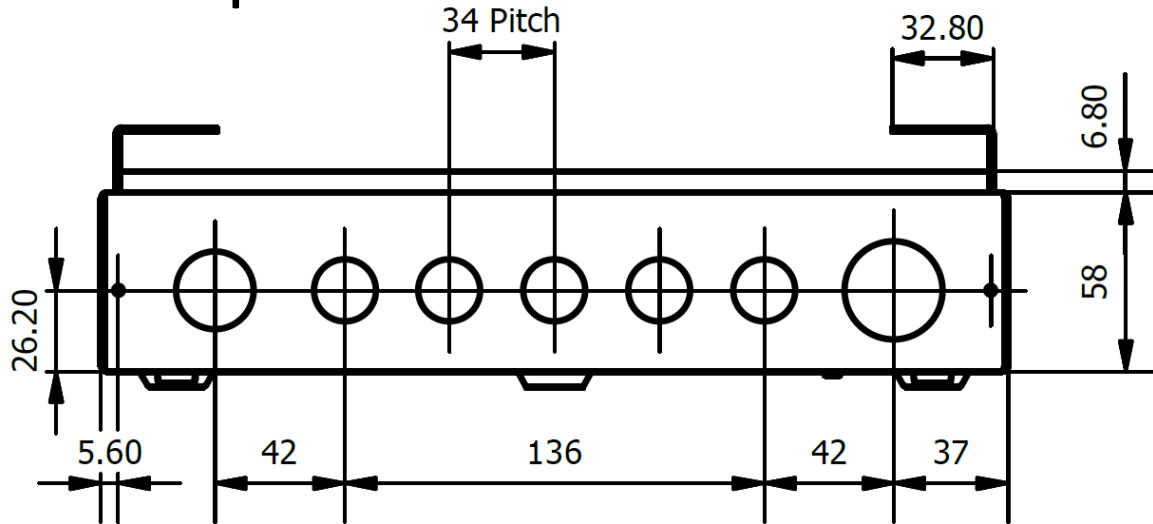
### Side Elevations

Diameters: 32mm, 25mm



DD061MS  
DD066MS  
DR061MS  
DR066MS  
DR068MS

## 12 Module Enclosure Knockout positions & sizes



### Bottom & Top Elevations

Diameters: 25mm, 20mm, 20mm, 20mm,  
20mm, 20mm, 32mm

### Side Elevations

Diameters: 32mm, 25mm

DD101MS

DDS06166MS

DDS06188MS

DR101MS

DR108MS

DS0818MS

DD106MS

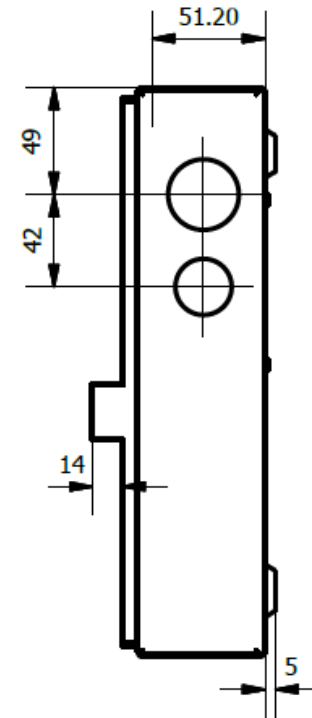
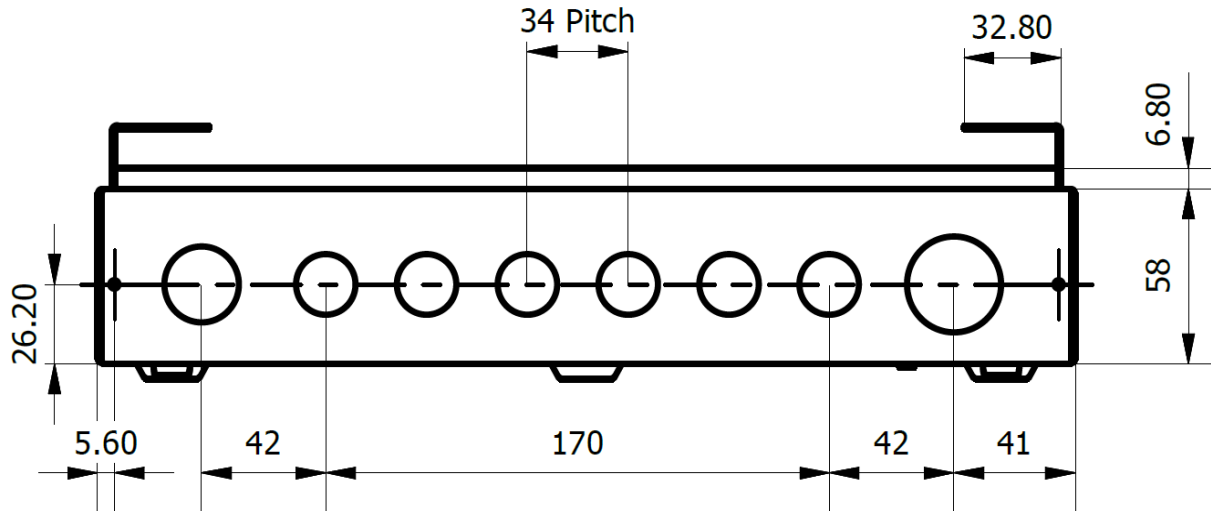
DDS06166MS-P01

DDS06188MS-P01

DR106MS

DS0816MS

## 14 Module Enclosure Knockout positions & sizes



### **Bottom & Top Elevations**

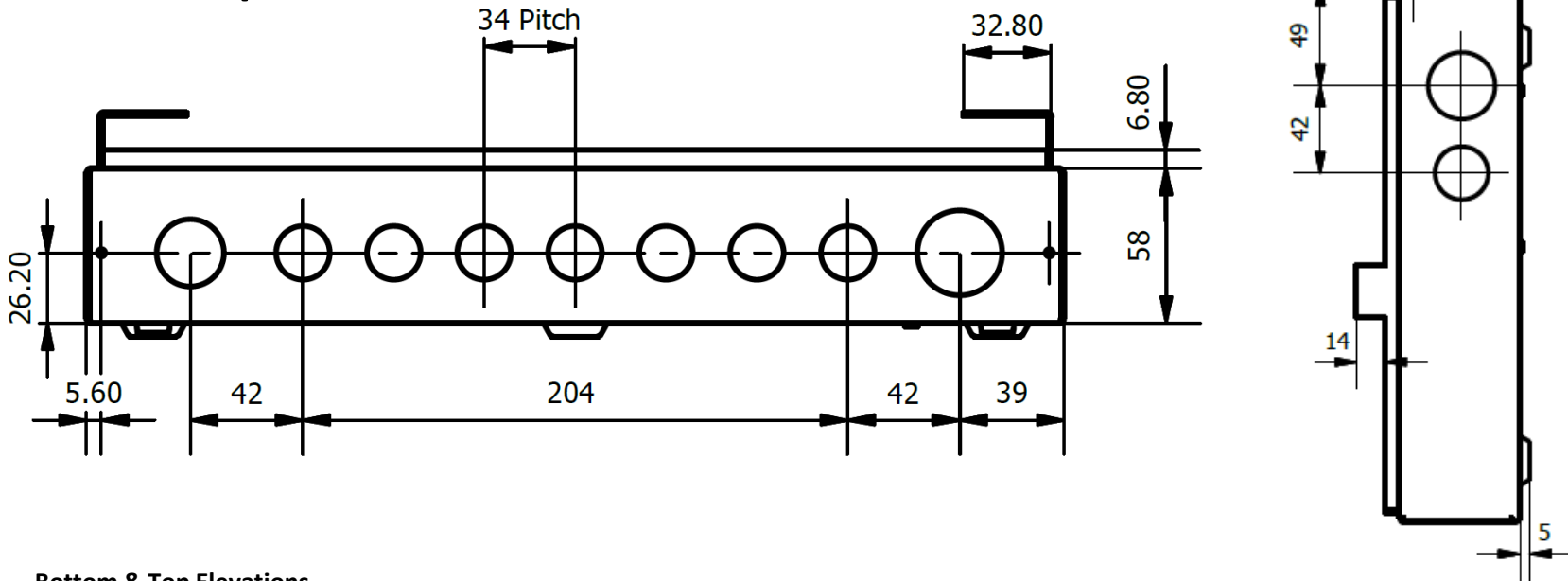
Diameters: 25mm, 20mm, 20mm, 20mm, 20mm, 20mm, 20mm, 32mm

### **Side Elevations**

Diameters: 32mm, 25mm

DD121MS  
DDS08166MS  
DDS08188MS  
DS1016MS  
DS1018MS

## 16 Module Enclosure Knockout positions & sizes



### Bottom & Top Elevations

Diameters: 25mm, 20mm, 20mm, 20mm, 20mm, 20mm, 20mm, 20mm, 32mm

### Side Elevations

Diameters: 32mm, 25mm

DD141MS

DDS10166MS-P01

DDS10188MS

DDS10188MS-P02

DR148MS

DS1218MS

DDS10166MS

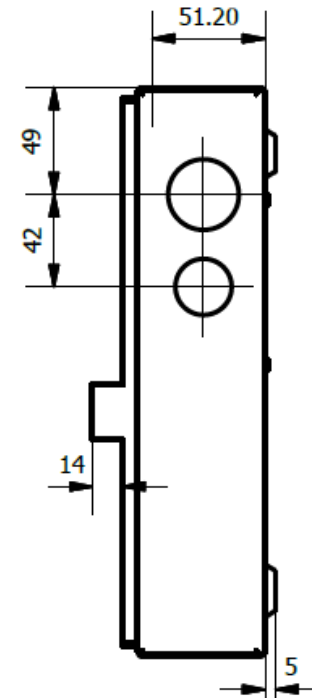
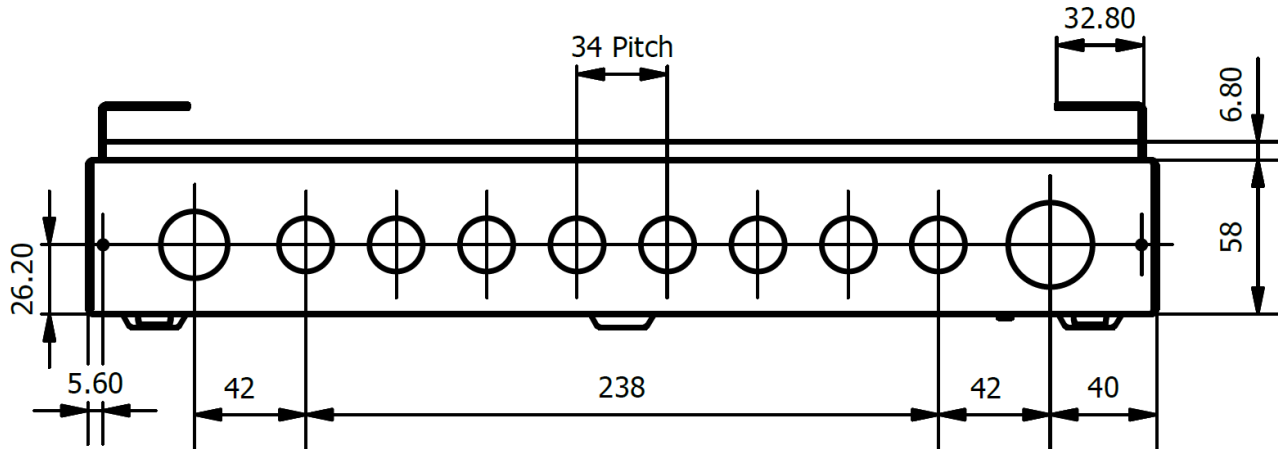
DDS10166MS-P02

DDS10188MS-P01

DR141MS

DS1216MS

## 18 Module Enclosure Knockout positions & sizes



### Bottom & Top Elevations

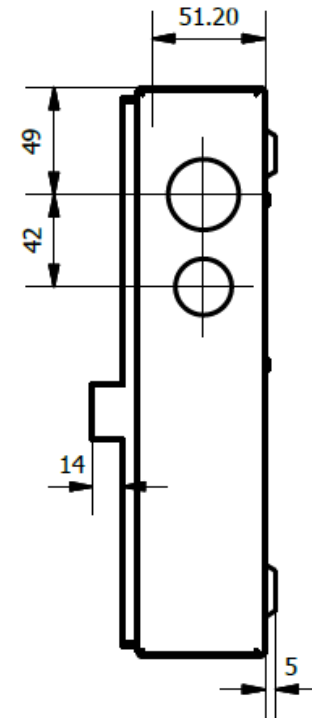
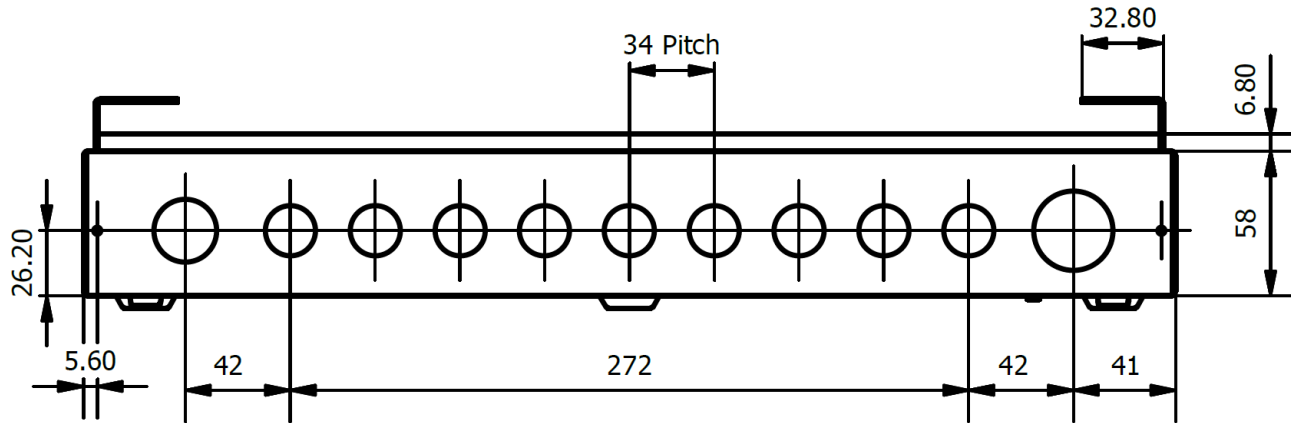
Diameters: 25mm, 20mm, 20mm, 20mm, 20mm, 20mm, 20mm, 20mm, 20mm, 32mm

### Side Elevations

Diameters: 32mm, 25mm

- DDS12166MS
- DDS12188MS
- DD161MS
- DR168MS
- DR161MS
- DS1416MS
- DS1418MS

## 20 Module Enclosure Knockout positions & sizes



### Bottom & Top Elevations

Diameters: 25mm, 20mm, 20mm, 20mm, 20mm, 20mm, 20mm, 20mm, 20mm, 20mm, 20mm, 32mm

### Side Elevations

Diameters: 32mm, 25mm

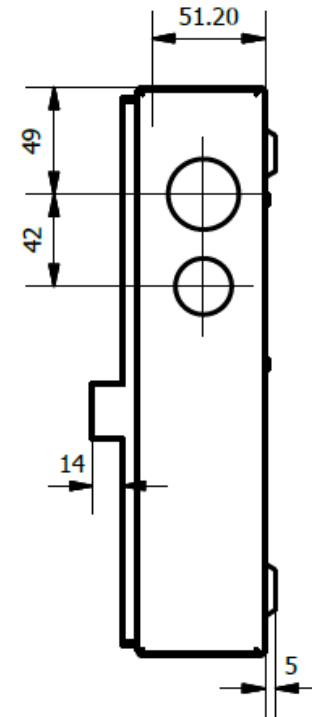
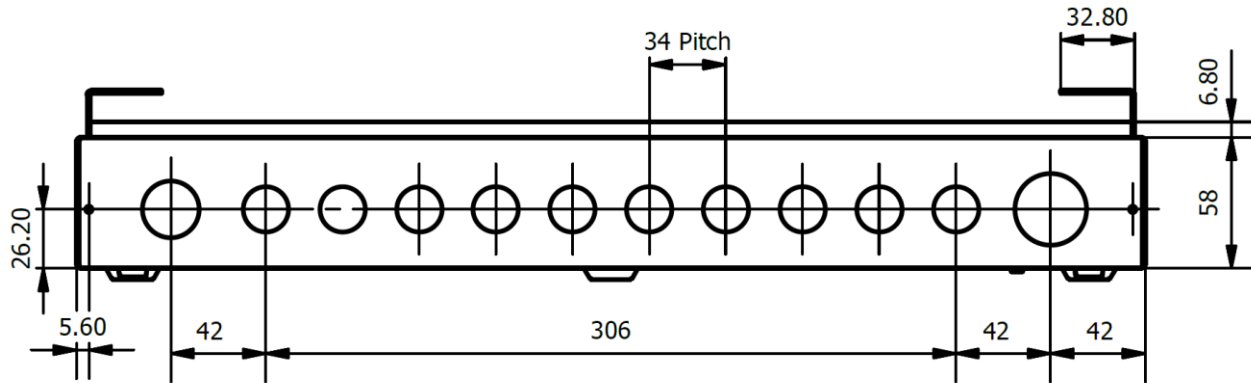
DDS14188MS-P02

DS1616MS

DS1618MS



## 22 Module Enclosure Knockout positions & sizes



### Bottom & Top Elevations

Diameters: 25mm, 20mm, 20mm, 20mm, 20mm, 20mm, 20mm, 20mm, 20mm, 20mm, 20mm, 32mm

### Side Elevations

Diameters: 32mm, 25mm

DD201MS  
DDS16166MS  
DDS16188MS  
DR201MS  
DS1818MS