

PIR OCCUPANCY SWITCHES



These directional PIR switches plug into a ceiling mounted socket. The socket can be mounted on a BESA box.

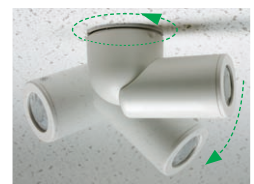
Ceiling directional PIR switches

Standard range version

Designed to give a directional view of the activity to be monitored. Detection angle 120°.

Specification

Time lag range:	10 seconds to 40 minutes in 9 steps
Photocell range:	100 to 1000 lux, and inactive
Loading:	up to 6 amps (1500W) of any type of load (including fluorescent lights and fans)
Wiring diagram:	see diagrams 11, 12, 13 below
Dimensions:	see below



CEDR 6P can be rotated and lowered to a 45° angle

Standard range

Order code:

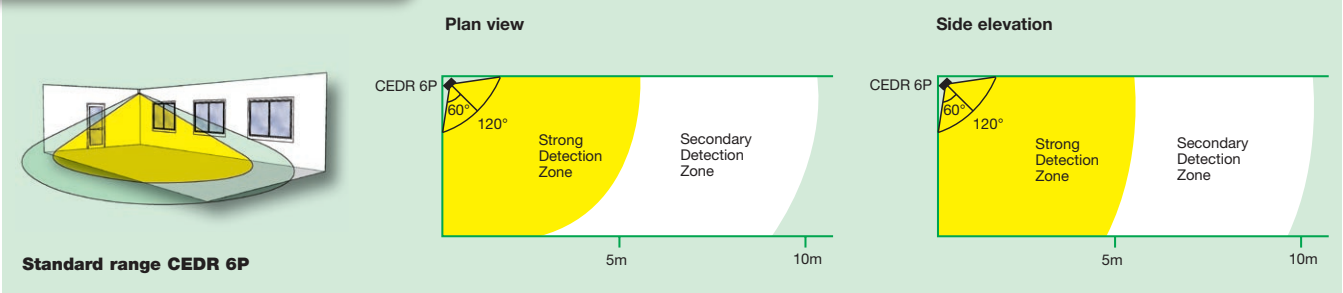
CEDR 6P

Requires socket, order code:

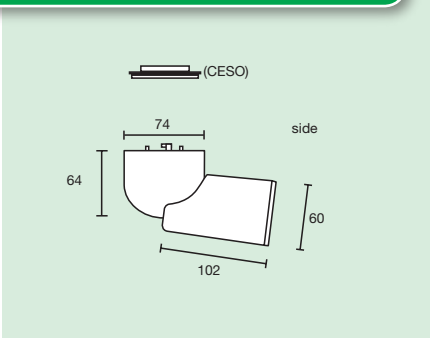
CESO

(see page 15)

Detection diagrams



Dimensions in mm



Wiring diagrams

