

PIR OCCUPANCY SWITCHES



Order code:
CEFL PIR

These neat and unobtrusive models are ideal for flush mounting through suspended or plasterboard ceilings.

Ceiling flush-mounted PIR switch

Specification

Detection zone:	360°
Time lag range:	10 seconds to 40 minutes in 9 steps
Photocell range:	100 to 1000 lux, and inactive
Loading:	up to 6 amps (1500W) of any type of load (including fluorescent lights and fans)
Wiring diagram:	see diagrams 1 and 2 below
Dimensions:	72 diameter x 68mm



Ideal for false or plasterboard ceilings

Order code:
CEFLP PIR



Special versions

Plug and socket version: CEFLP PIR

Model CEFLP PIR is provided with a plug suitable for the CESO Ceiling socket, shown on page 15.

Loading: Up to 6 amps (1500W) of any type of load (including fluorescent lights and fans)



CESO on a BESA box

Order code:
CEFL PIR SEALED



Splash-proof version: CEFL PIR SEALED

Model CEFL PIR SEALED is protected against light splashes and condensation, when installed in the ceiling. Ideal for bathrooms, shower rooms, etc.

Loading: Up to 6 amps (1500W) of any type of load (including fluorescent lights and fans)

Order code:
CEFL PIR 10A

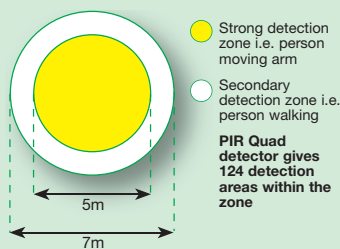


10 amp version: CEFL PIR 10A

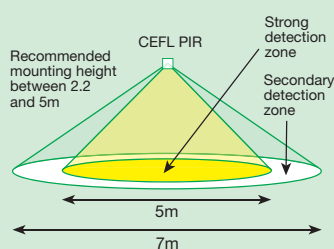
Model CEFL PIR 10A is suitable for switching up to 10 amps (2500W) of any type of load (including fluorescent lights and fans).

Detection diagrams

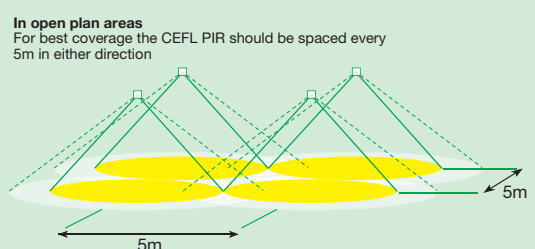
Plan view of detection zone



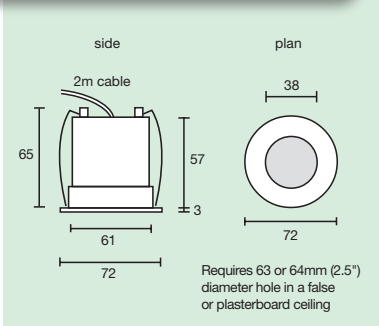
Perspective view of detection zone



Several PIR occupancy switches

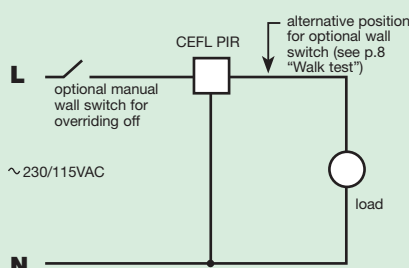


Dimensions in mm



Wiring diagrams

1. Single CEFL PIR



2. Several CEFL PIR wired in parallel

