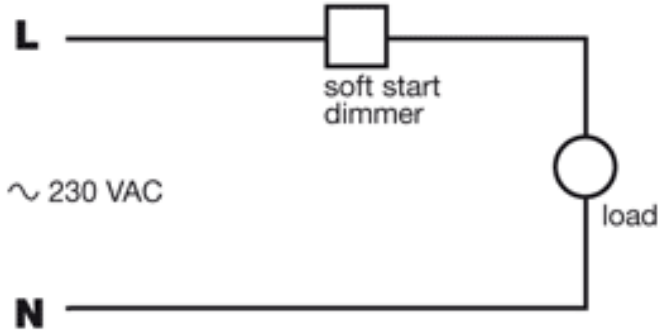
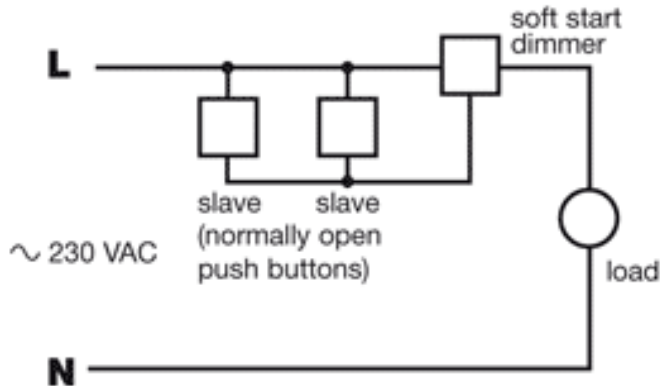


Soft start dimmers wiring

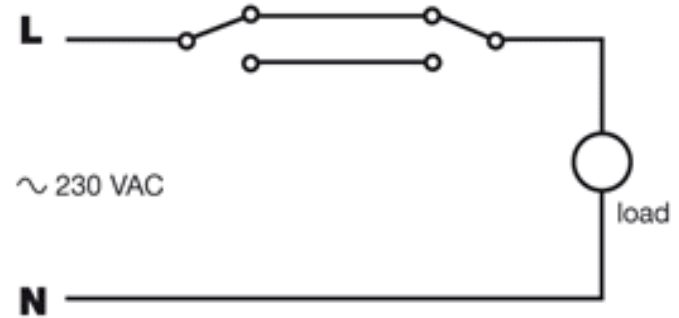
1-way switching and dimming



Multi-way switching and dimming (lights can be switched and dimmed from any position)



Example of an existing 2-way circuit



Replace the 2-way switches with a Soft start dimmer and a Slave, as shown

