

BR Towel Rails

08/17311/3 Issue 3

Models : BR150, BR200, BR250, BR350, BR400 & BR500

Dimensions

(millimetres)

| Model | Rails | Watts | A | B | C | D | Weight kg |
|-------|-------|-------|------|-----|-----|-----|-----------|
| BR150 | 10 | 150 | 665 | - | 385 | 155 | 6.5 |
| BR200 | 10 | 200 | 665 | - | 603 | 155 | 8 |
| BR250 | 10 | 250 | 665 | 610 | 447 | 155 | 9 |
| BR350 | 16 | 350 | 1003 | - | 603 | 155 | 13 |
| BR400 | 16 | 400 | 1003 | 610 | 447 | 155 | 14 |
| BR500 | 22 | 500 | 1345 | 610 | 447 | 155 | 19 |

F - Bleed valve
G - Drain plug

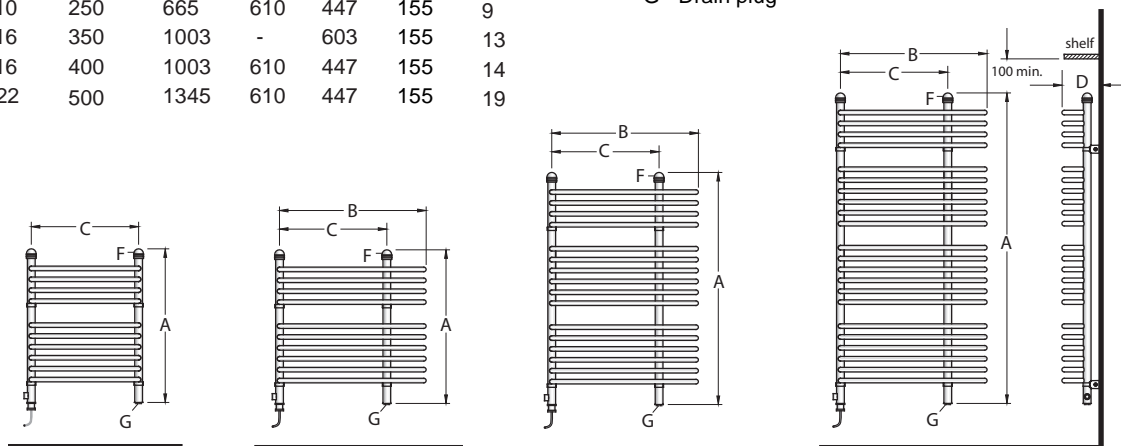


Fig. 1

IMPORTANT : THESE INSTRUCTIONS SHOULD BE READ CAREFULLY AND RETAINED FOR FUTURE REFERENCE

Important Safety advice

WARNING - THE SURFACE OF THIS RADIATOR CAN BE HOT.

In order to be effective the towel rail will get hot, however momentary contact with any part of it should not cause injury.

CAUTION - This appliance is not intended for use by children or other persons without assistance or supervision if their physical, sensory or mental capabilities prevent them from using it safely. Children should be supervised to ensure that they do not play with the appliance.

Precautions should be taken to ensure that prolonged contact with the towel rail cannot occur. Particular care should be taken in confined areas where accidental prolonged contact with the rail could be more likely to occur.

This appliance should only be used to dry fabrics washed in water using commonly available detergents.

IMPORTANT - If the towel rail is to be installed in a place used by the public, a warning notice should be placed adjacent to the rail advising that the surface can be hot.

WARNING - In order to avoid a hazard for very young children, this appliance should be installed so that the lowest heated rail is at least 600mm above the floor.

General

The BR towel rail is designed to provide an all year round service for airing towels and articles of clothing. It will also provide heat for bathrooms and other small rooms. The towel rail is permanently filled with a special water based liquid for years of trouble free service. No routine maintenance is necessary apart from occasional cleaning.

The towel rail has a sealed electrical element controlled by a pre-set thermostat which will switch off the rail should it overheat for any reason. It is splashproof to IPX4 standard.

The BR towel rail also has the facility for connection to a water radiator system and can be operated as part of a central heating system. (See section 'Use on a water radiator system').

Electrical

The electrical installation of this towel rail must be carried out by a competent electrician in accordance with the current I.E.E Regulations for Electrical Equipment. The towel rail is suitable for use on an A.C.~ electrical supply. Before installation check that the supply voltage corresponds with that marked on the rail.

WARNING - THIS APPLIANCE MUST BE EARTHED.

IMPORTANT - The wires in the mains lead are coloured in accordance with the following code:

| | |
|-------------------------|-----------|
| GREEN and YELLOW | - EARTH |
| BLUE | - NEUTRAL |
| BROWN | - LIVE |

As the colours of the wires in the mains lead of this appliance may not correspond with the coloured markings identifying the terminals in your plug, proceed as follows:

The wire which is coloured GREEN and YELLOW must be connected to the terminal in the plug which is marked with the letter **E** or by the earth symbol \oplus or coloured green or green and yellow.

The wire which is coloured BLUE must be connected to the terminal which is marked with the letter **N** or coloured black.

The wire which is coloured BROWN must be connected to the terminal which is marked with the letter **L** or coloured red.

This appliance must only be used on A.C. mains supply of 230/240 Volts~.

Bathroom Installations

If fitted in a room containing a bath or shower, to comply with the current I.E.E. Regulations, a cable outlet will be necessary with the supply to the heater controlled by a double-pole pull-cord switch having a contact separation of 3mm in each pole. The body of the switch should be situated as to be normally inaccessible to a person using a bath or shower. Should Equipotential Earth Bonding be required the earthing conductor in the supply cord is deemed to provide the supplementary bonding connection (see Regulation 547-03-0@,'16'h Edition I.E.E. Wiring Regulations).

Installation

IMPORTANT - Protect the electrical connection whilst handling the towel rail.

The towel rail must be permanently fixed to the wall using the wall brackets supplied. The rail must be mounted vertically as shown observing the minimum clearances stated.

WARNING - The towel rail is heavy. Do not remove without seeking specialist advice.

Wall mounting

The Wall mounting accessory pack contains:

- (a) 4 mounting straps
- (b) 4 screws (M4 x 10)
- (c) 4 wall mounting brackets
- (d) 4 locator pins
- (e) 4 wall mounting screws (No.10 x 40) and wall plugs

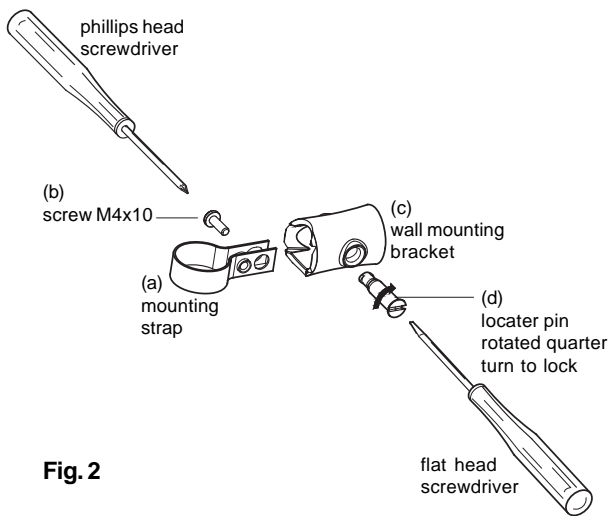


Fig. 2

Procedure for fixing Wall Brackets

Step 1

Using Dim. X (fixed) and Dim. Y (variable) as a guide, mark the hole positions for the four fixing brackets (or use the template when provided) and drill and plug the wall to suit. Note: Allow enough room above and below for the clearance stated. Screw the four fixing brackets securely to the wall - see Fig. 3.

Wall bracket Fixing Dimensions

| Model(s) | Dim. X | Dim. Y |
|----------|--------|--------|
| BR150 | 385 | 318 |
| BR200 | 603 | 318 |
| BR350 | 603 | 638 |
| BR250 | 447 | 318 |
| BR400 | 447 | 638 |
| BR500 | 447 | 958 |

Step 2

Place carefully around the upright bars the 4 mounting straps at the position shown - see Fig. 3. (Note the straps must be positioned up tight to the cross bar as indicated) Securely fix them by screwing in place fully the M4 x 10mm screw. Ensure the brackets are fitted with the rear of the straps facing directly backwards.

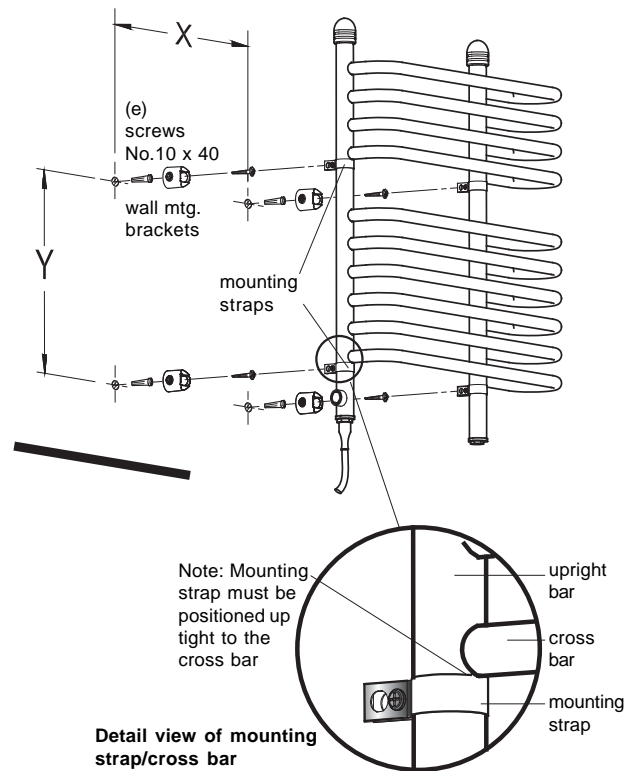


Fig. 3

Step 3

Place the towel rail straps into the wall mounted brackets, secure them with the locator pins by inserting it and giving it a quarter turn - see Fig. 2. Check the four brackets and towel rail are fitting horizontal. If not go back to step 2. The straps can be repositioned to ensure that the towel rail is horizontal when fitted to your wall. If the towel rail cross rails are not level, loosen both straps on either left or right hand upright bar. Lower the two straps and raise up the towel rail until it is horizontal, then secure as indicated in step 2 and 3.

Use on a water radiator system

The towel rail may also be connected to a water radiator system and operated as part of a central heating system. This work should be carried out by persons competent in plumbing and electrical installation.

Before installing as part of a central heating system the towel rail must first be drained of its liquid contents. **(see Important Safeguards).**

To drain the rail arrange it vertically and remove the screwed plug (see 'G' in **Fig. 1**) from the bottom of the right hand straight tube.

Unscrew the domed cap at the top of the tube and open the air bleed valve (see 'F' in **Fig. 1**) which is in the top of the tube. Finally remove screwed plug from the side of the left hand tube.

Mount the towel rail on the wall and connect the water supply inlet and outlet pipes to the ½ inch BSP connections provided.

Refill the rail with the water from the central heating system, ensuring that all air is bled from the rail. For electrical connection refer to **Electrical** section.

Operation (Water)

When the central heating system is in use, the towel rail will operate as a normal radiator. Out of season or when the central heating boiler is not in use, the towel rail may be operated independently by switching on the electric heating element.

IMPORTANT - When using the towel rail in this way expansion of the water must be guaranteed through the return connection. It is **COMPULSORY** that the return connection is left open to ensure this.

Drying and Airing Towels

It is recommended that for efficient drying, no more than two layers of towels or similar fabric should be draped over the rail. Items should be placed evenly over the whole surface of the rail where possible.

It is not advisable to leave very damp towels or clothes on the towel rail when not in use, as this may in time, affect the paint finish.

The rail, although hot to the touch is not hot enough to scorch or burn fabrics. However, soap and detergents remaining in articles after washing can cause discoloration. Therefore care should be taken to thoroughly rinse articles before airing.

Important Safeguards

WARNING - The towel rail is filled with a glycol based antifreeze/water solution. The following precautions should be followed when handling and disposing of the liquid.

- Avoid skin and eye contact. Wear protective gloves and goggles.
- Do not swallow.
- Keep out of reach of children.
- Keep away from pets.
- Do not empty into drains or watercourses.
- Dispose of it at an authorised disposal facility.

Operation (Electrical)

It is a feature of the product that the bottom rail remains cool to the touch. Some variation in the temperature across the surface of the rail is also normal. When the appliance is covered the heating pattern of the rails may alter, and generally temperatures at the upper part of that rail will rise

The towel rail may be switched on and off at the isolating wall switch which must be positioned outside the bathroom, or operated by means of a pull cord switch.

A further means of control would be to link the towel rail to a room thermostat and/or timer. A room thermostat will ensure that the rail automatically switches off in warmer weather. A timer will allow for short periods of use.

Note: If the towel rail is located in a bathroom the adjustment for these controls must be located outside the bathroom.

Maintenance

There are no user serviceable parts on the towel rail.

The rail is filled with a precise quantity of special liquid and for electric only operation should never need draining or refilling. Repairs requiring the opening of the liquid-tight seal must only be made by the manufacturer's Service Agent. Any leakage must be reported to the manufacturer's Service Agent.

The element and cable are a single unit and any maintenance must be carried out by the manufacturer's service agent using the recommended Parts Ref. Numbers : BR150 - TR400004, BR200 - TR20001, BR250 - TR9900, BR350 - TR20002, BR400 - TR9901 and BR500 - TR9902.

Cleaning

The finish on your towel rail can be maintained by occasionally wiping over with a damp cloth and lightly finishing with a soft dry cloth. This should only be carried out when the rail is cold. **Do not** use abrasive cleaning powders as this could damage the surface finish.

Recycling

For electrical products sold within the European Community.



At the end of the electrical products useful life it should not be disposed of with household waste. Please recycle where facilities exist. Check with your Local Authority or retailer for recycling advice in your country.

After Sales Service

Your product is guaranteed for two years from the date of purchase. Within this period, we undertake to repair or exchange this product free of charge provided it has been installed and operated in accordance with these instructions.

Your rights under this guarantee are additional to your statutory rights, which in turn are not affected by this guarantee.

Should you require after sales service you should contact our customer services help desk on 0845 600 5111. It would assist us if you can quote the model number, series, date of purchase, and nature of the fault at the time of your call. The customer services help desk will also be able to advise you should you need to purchase any spares.

Please do not return a faulty product to us in the first instance as this may result in loss or damage and delay in providing you with a satisfactory service.

Please retain your receipt as proof of purchase.



The product complies with the European Safety Standards EN60335-2-30 and the European Standard Electromagnetic Compatibility (EMC) EN55014, EN60555-2 and EN60555-3 which cover the essential requirements of EEC Directives 73/23 and 89/336

Glen Dimplex UK Limited
Millbrook House
Grange Drive
Hedge End
Southampton
Hampshire. SO30 2DF



UK customer help line 8.00am–5.00pm Mon-Fri and 8:30am-1.00pm Sat (Autumn–Winter only)

Customer Services: Tel. 0845 600 5111
Fax. 01489 773053
e-mail customer.services@glendimplex.com

Republic of Ireland Tel. 01 8424833

[c] Glen Dimplex UK Limited

All rights reserved. Material contained in this publication may not be reproduced in whole or in part, without prior permission in writing of Glen Dimplex UK Limited.