

this product information has been extracted from

the heat book

HANDYMAN

Tel: 0845 600 5111

Fax: Customer Care: 01489 773053

Email: customer.services@glendimplex.com

Website: www.dimplex.co.uk

instantaneous electric handwash

the Handyman

The Handyman is a quick and effective way to provide a simple handwash facility.

The Handyman operates off the cold mains water supply and heats water as it is used, making it an ideal solution for isolated locations away from other hot water sources and irregular use.

Complete with 200mm swivelling arm and spout.

Features

- Simple to use single on/off and temperature control.
- 3kW.
- Compact design.
- 200mm swivel arm.
- Open outlet.

Safety

- Thermal limiter set at 55°C +/- 3°C.

Electrical

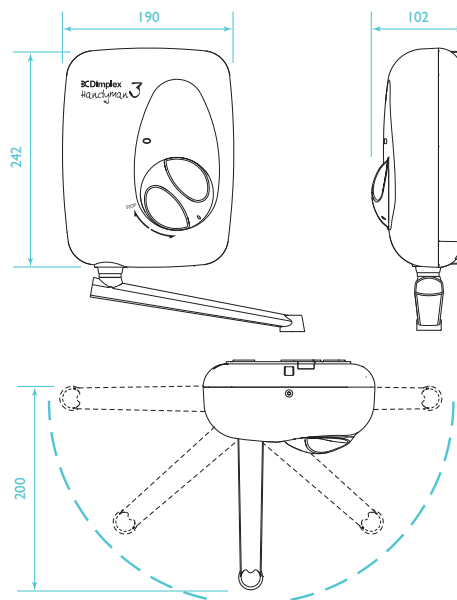
- Connects to spurred ring main 230-240V/50Hz.
- Unit must be directly connected to an isolating switch fitted with 13A fuse.

Water Supply

- Connects directly to the mains water supply.
- 15mm pipe connection.
- Open outlet, to be used only with the swivel arm and spout provided.
- Minimum supply water pressure/1bar running.
- Maximum supply water pressure 10bar static.



Main Dimensions (mm)



After Sales Service

After sales service if required is absolutely no problem with Dimplex – we have a network of appointed Service Agents spread throughout the Country who are qualified and trained to repair or service any of our appliances.

Bathrooms

Any electrical appliances installed in a bathroom should be fitted by a competent electrician in accordance with the current I.E.E. Regulations.

Portable heaters are NOT suitable for use in a bathroom.

Unless otherwise specified in this brochure, heaters that can be permanently fixed have to be so mounted that any controls cannot be reached by a person using a bath or shower. This restriction does not apply to Dimplex heated towel rails, which do not have controls.

Safety

Dimplex products are designed to comply with EN60335 the British Standard covering the safety requirements of electric heating appliances, and momentary contact with any part of the heater should not cause injury. However, in order to be effective, heaters or towel rails of any type do get hot especially (if applicable) around the air outlet grille. Therefore if aged or infirm persons, or young children, are likely to be left unsupervised in the vicinity of a heater we advise that precautions should be taken. We recommend that a guard is fitted around the heater, as is normal with many types of heating appliance in similar circumstances, to ensure contact with the heater is avoided and objects cannot be inserted into the product.

(Please see page 36 for details of accessory guards.)

Heating appliances should never be covered or positioned where objects may fall onto them.

Specifications

Dimplex policy is one of continuous improvement; the Company therefore reserves the right to alter specifications without notice. Although every care has been taken in the reproduction of product finishes in this brochure, the colour photographs should be taken only as a guide. The information contained in this brochure is correct at the time of printing. You are advised to consult your dealer before purchasing.

Plugs

All portable appliances are supplied with a fitted plug.

British Electrotechnical Approvals Board BEAB Approved



The mark of the British Electrotechnical Approvals Board signifies that the appliance bearing it has been produced to the stringent safety requirements for domestic electrical appliances as laid down in EN60335.

CE Mark



Products carrying the CE mark comply with European safety standards and the European Standard for electro-magnetic compatibility.

Installation Guidance

This brochure is designed to assist you with your choice of Dimplex products and it is not intended as an installation guide.

For safety, products should only be installed by a competent person, in accordance with current regulations and the manufacturers instructions. If you require further advice concerning the installation of our products – especially where the installed dimensions may be critical to your choice and the location of the product – please contact our Customer Care on 0845 600 5111 or consult your installer.

Please note that the dimensions contained within this brochure do not in all cases include clearances required around installed products for safe operation.

Useful Numbers

Tel: 0845 600 5111
Fax: Customer Care: 01489 773053
Brochure line: 01489 773063
Main Reception: 01489 773050
Email: customer.services@glendimplex.com
Websites: www.dimplex.co.uk
www.dimplex-resource.co.uk



© Glen Dimplex UK Limited
All rights reserved. Material contained in this publication may not be reproduced in whole or in part, without prior permission in writing from Glen Dimplex UK Limited.
Printed on accredited paper (from sustainable sources).

Dimplex
Making life comfortable

Glen Dimplex UK Limited, Millbrook House, Grange Drive, Hedge End, Southampton, SO30 2DF
For Northern Ireland please contact – Glen Dimplex N.I. Limited, Unit No. 24, Seagoe Industrial Estate, Portadown, Craigavon, Co. Armagh, BT63 5TH. Telephone: 02838 337317

Designed and produced by Carrington Caunter Associates Limited, Christchurch (Bournemouth). Telephone 01202 499612

D1254/0906