

Dimplex

Dimplex
WATER HEATER

Dimplex
Handyman

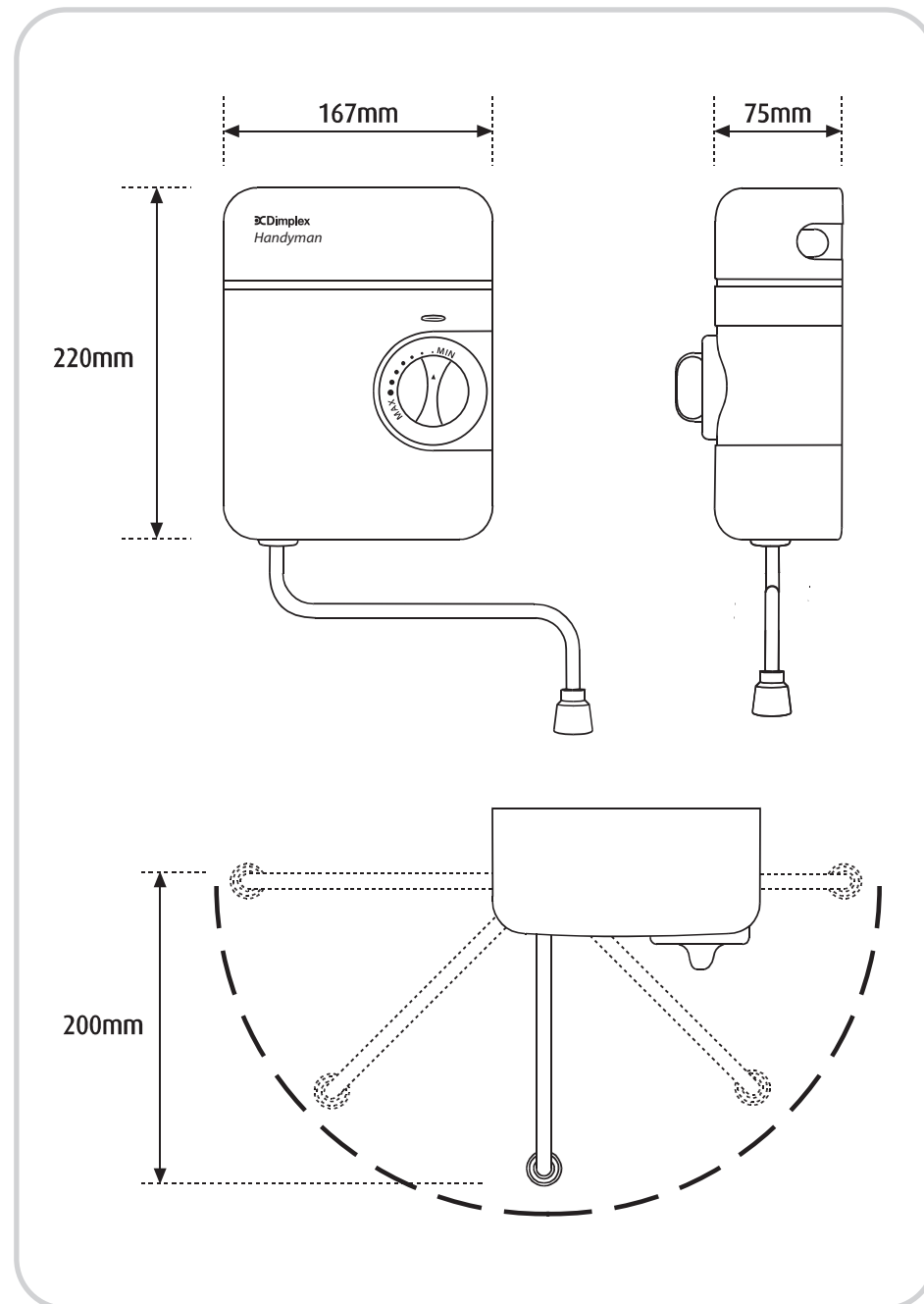


Handyman

Instantaneous Electric
Over-Sink Handwash
Installation Instructions

Customer Services Tel 0870 240 9402

Glen Dimplex UK Limited, Millbrook House, Grange Drive, Hedge End, Southampton SO30 2DF.
Tel 0870 077 7117 Fax 0870 727 0109 Email customer.services@glendimplex.com



Contents

- 1 x Handwash Unit
- 1 x Swivel Arm and sprayhead
- 1 x Screw Pack

Specification

Power Rating: 2.7kW at 230V/3kW at 240V
 Vented Open Outlet System
 High Temperature cut-out: 55°C +/- 3°C
 Electricity Supply~230-240V/50Hz

SECTION 1

Important

- 1) Installation must be carried out by a suitably qualified person and conform with IEE Regulations and National Water council bylaws.
- 2) This Handwash unit is designed to be connected to a 15mm cold water mains supply. Do not connect to a tank supply.
- 3) All plumbing connections must be completed before making the electrical connections.
- 4) The minimum recommended running water pressure to which the Handwash may be connected is 15lb/sq in (1 Bar) running pressure at 8 litres per minute. The maximum static pressure recommended is 150lb/sq in (10 bar).
- 5) The Handwash unit must not be fitted where it may be exposed to frost, for example in an outdoor area. The handwash must not be used if suspected of being frozen. Frost damage is not covered by the guarantee.

6) Plumbers jointing compound should not be used. The use of compound invalidates the guarantee.

7) The outlet of your handwash acts as a vent and must NOT be connected to any form of tap or fitting other than that supplied with the unit.

8) The sprayhead must be cleaned regularly to remove the scale and debris. If the water becomes hot and you are unable to obtain cooler water, check the spray head for blockage.

9) The handyman heats water as it passes through the unit. Water temperature may therefore vary accordingly to changes in water flow and temperature, which may be affected by other water apparatus operated in the building and seasonal variations in incoming water temperature.

10) Not suitable for drinking water.

SECTION 2

Installation

Plan the Installation carefully, before starting any part of the installation.

Use only the rising main, do not connect the handwash unit to the down service from a cold water storage tank.

The water supply pipe may enter the unit either from the bottom or the rear of the unit.

INSTALLATION

INSTALLATION

SECTION 3
Plumbing

Fit an isolation valve in the cold mains supply preceding the installation point of the handyman unit to allow the unit to be serviced.

Turn the temperature Control so that it is set to 'MIN'.

Remove the front cover by unscrewing the screw at the bottom of the unit and lifting the cover, complete with control knob, off the handwash unit.

Place the handwash unit on the wall, ensuring it is level, and mark the location of the fixing screws through the backplate.

The following procedure assumes installation onto a sound masonry surface, if installing onto other surfaces the procedure and fixings may need to be modified.

Carefully drill the holes using a 5.5mm masonry drill-bit and insert the rawl plugs into the holes.

Place the unit on the wall and secure it using the screws provided.

Run the water supply to the unit using 15mm copper or stainless pipe and flush the pipework for several seconds to remove any flux and debris within the pipe, before connecting to the unit.

Connect the mains water supply to the blue water inlet on the handwash unit using the compression nut and olive provided. Take care not to use excessive force when tightening the compression nut.

Fit the swivel arm to the end outlet of the handwash unit.

With the unit fully plumbed in turn on the mains water supply and check the system for leaks.

SECTION 4
Electricity Supply

Warning this appliance must be earthed!
 The unit is suitable for connection to ~230-240V/50Hz supply only

The wiring must conform to with I.E.E. wiring regulations. If in doubt seek professional advice.

The unit may be supplied from a ring circuit via a fused spur with a double pole linked isolating switch fitted with a 13A fuse. The supply cable should be 3 core and of 1.5 –2.5mm diameter.


The cable should be routed to the handwash unit so that it enters either via the cable entry point at the top right hand side of the unit or through the break-out hole at the rear of the unit.

The cable grommet should be inserted at the entry point and the wire routed into the unit.

Connect the Live wire to the terminal marked L.
 Connect the Neutral wire to the terminal marked N.
 Connect the Earth wire to the terminal marked E.

Ensure that the terminal screws are fully tightened and good electrical continuity is achieved.

Secure the cable to the unit using the cable clamp.

 Do not switch on the electricity supply to the unit!

SECTION 5
Final Assembly

Ensuring the temperature control knob is set to 'MIN', place the cover carefully onto the handwash unit and secure using the fixing screws.

SECTION 6
Commissioning

Turn the temperature control knob anti-clockwise to its 'MAX' setting and allow water to flow through the unit until a continuous stream of water, free of air bubbles is achieved.

Switch on the electrical supply at the isolating switch. The Power indicator should light.

After a few seconds check that the water from the unit is beginning to get warm. Adjust the temperature control clockwise and check that after a few seconds the water becomes hotter.

Turn off the unit by turning the temperature control knob fully clockwise. Switch off the electricity supply at the isolation switch

SECTION 7
Operation**Switch on**

- 1) Turn on the electricity supply at the isolating switch. The power indicator should light.
- 2) Turn the temperature control knob anti-clockwise to its 'MAX' position – indicating maximum water flow.
- 3) After a few seconds the water should run warm, ready for use.
- 4) If the temperature is required to be increased turn the knob slowly clockwise, wait a few seconds until the water temperature stabilises and adjust again if necessary.
- 5) To reduce the water temperature turn the knob anti-clockwise.

Do not under any circumstances restrict or cover the sprayhead or try to prevent water exiting the handwash unit as this will cause the safety cut-out to operate.

Turn off

- 1) To turn the unit off, turn the temperature knob fully clockwise until the water stops flowing. Note: some water may continue to drip from the unit for a few minutes as excess water drains from the unit.
- 2) Switch off the electricity supply at the isolating switch.

Note: variation in water temperature is achieved by varying the flow of water through the unit, hence for higher temperatures you will notice a reduction in the flow of water from the handwash unit.

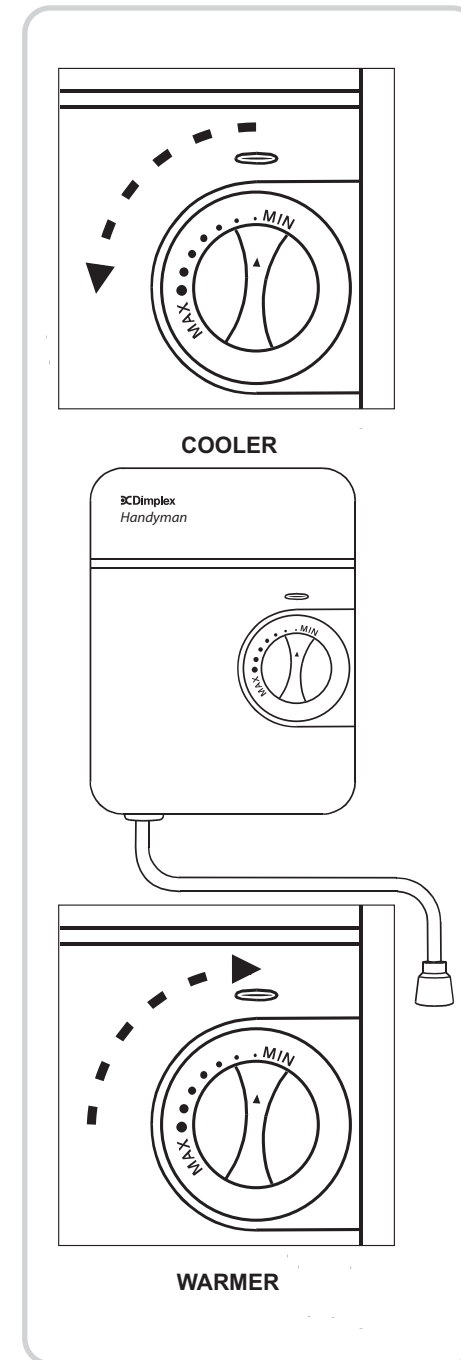
SECTION 8 Maintenance

The sprayhead should be cleaned periodically to remove limescale and any other particles trapped in the swivel arm. This may be done by unscrewing the sprayhead and scrubbing with a stiff-bristled brush.

If necessary immerse the sprayhead in a proprietary limescale remover for several hours and scrub away loose deposits. Rinse the sprayhead thoroughly before attaching to the swivel arm.

Service Policy

Should you need to contact the Dimplex Customer Service Centre regarding any fault with this product please have the Model Number; Serial Number and Date of Purchase of the Product readily available.



GUARANTEE

Glen Dimplex UK Limited guarantee this product for a period of one year, from date of purchase, against mechanical defects arising from faulty materials or from poor manufacturing workmanship, providing the product has been installed by a competent person in accordance with the fitting instructions.

Glen Dimplex UK Limited undertake to repair or replace, at their discretion, without charge, provided the product has been properly maintained and operated in accordance with the operating instructions. Any component found to be defective during this period, as the result of misuse or damage, or the effects of scaling, will not be covered by this guarantee.

This product must not be modified, repaired or taken apart except by a person authorised by Glen Dimplex UK Limited.

This guarantee is only valid within the United Kingdom.

This guarantee does not affect your statutory rights.