

Contact Details

Please note that some of the contact details on this PDF document may not be current.

Please use the following details if you need to contact us:

Telephone: 0844 879 3588

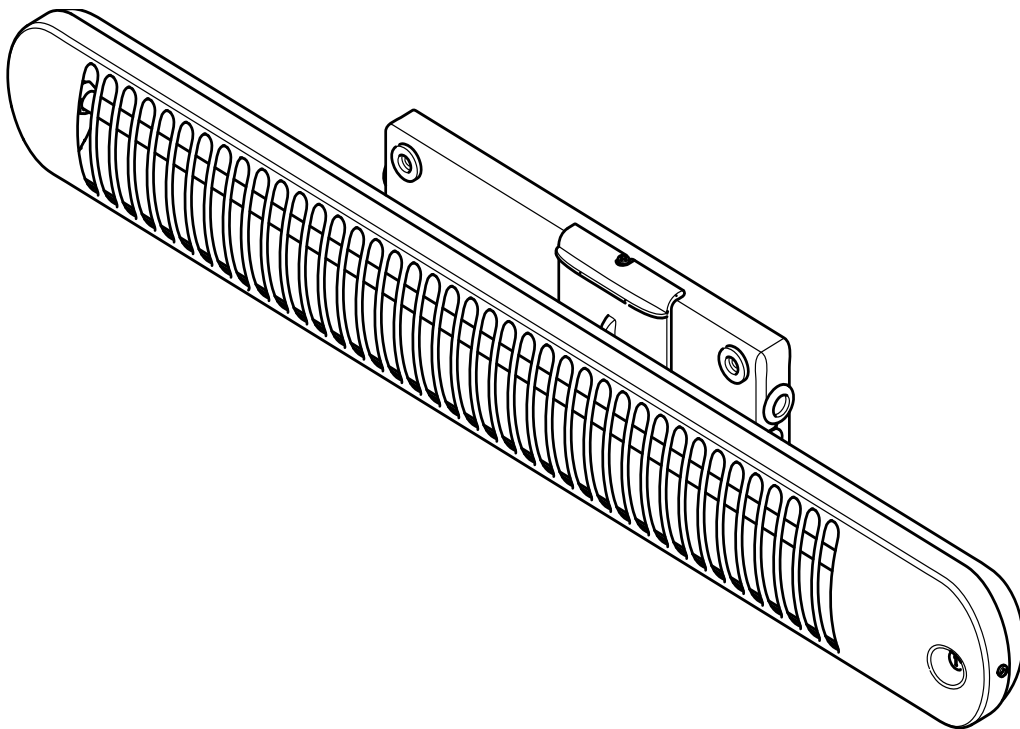
Email: customer.services@gdcgroup.co.uk

The customer support section of our website also features a wide range of information which may be of use to you and is available 24 hours a day. It includes:

- Operating and installation instructions
- Easy 'How to use' guides for storage heaters
- Service and repairs
- Where to buy our products
- Literature downloads
- Heating requirement calculator

Visit - www.dimplex.co.uk/support

INFRA - RED HEATERS

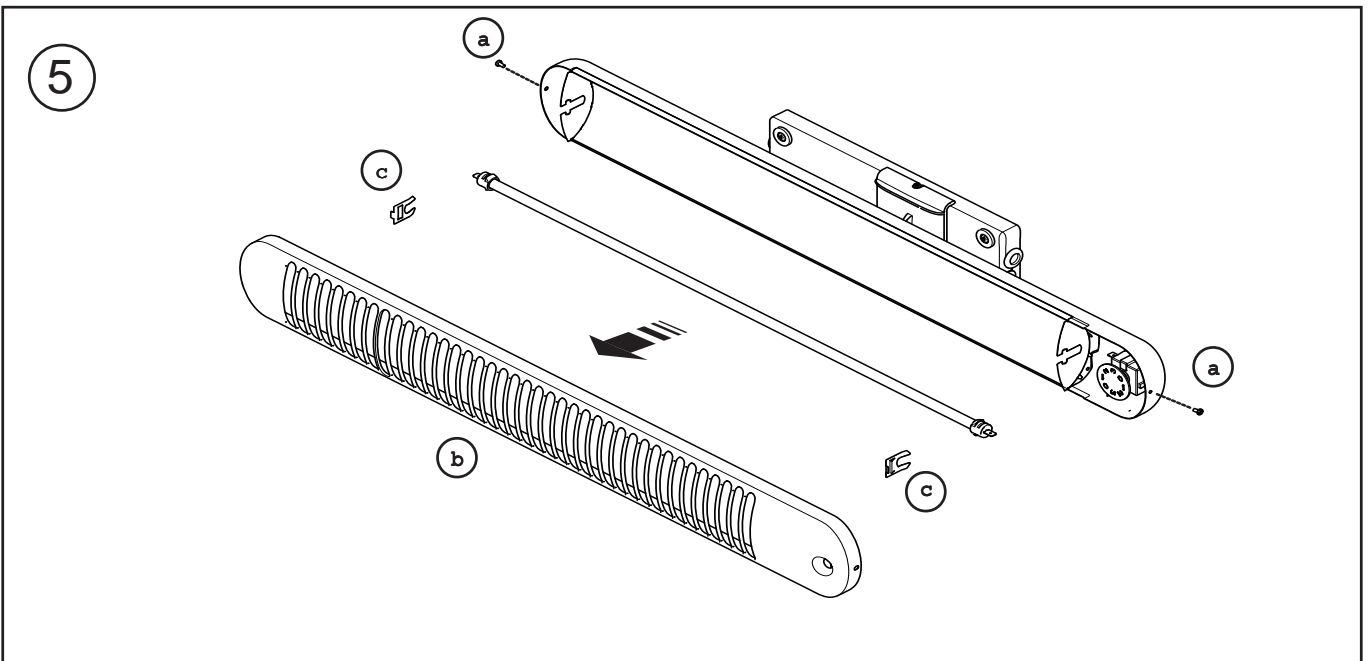
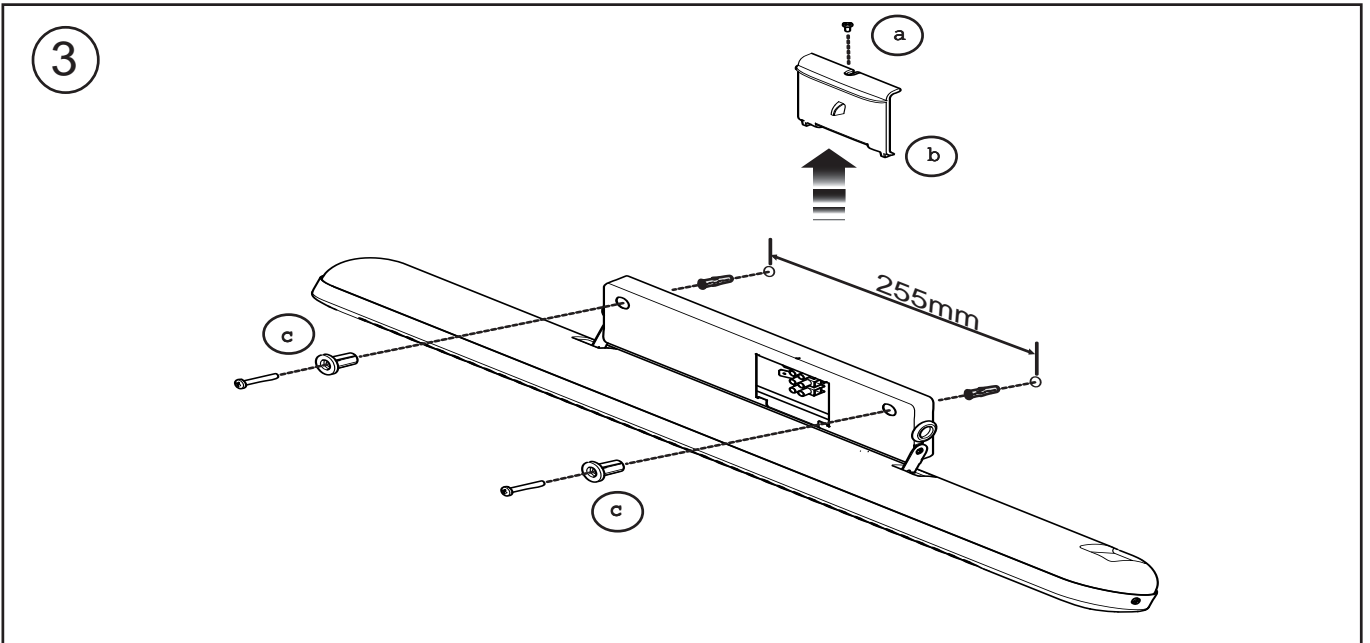
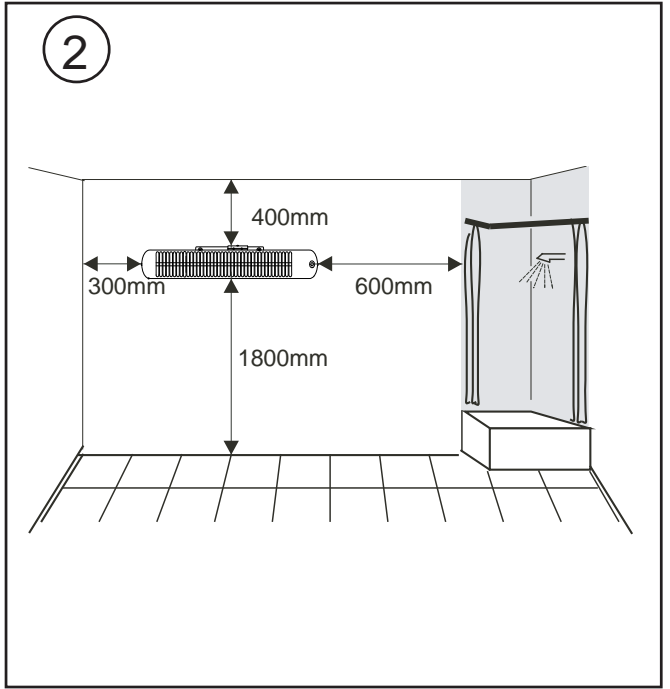
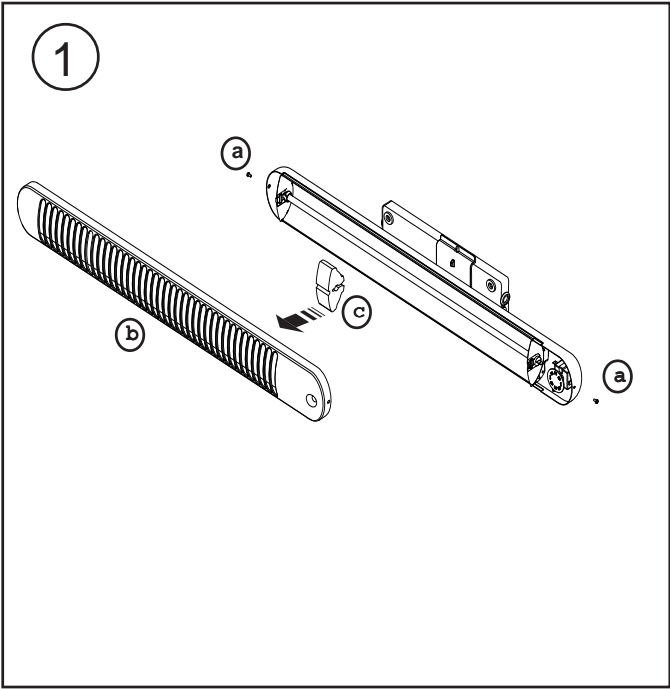


**Models:
IRX50N, IRX120N, IRX200N**

08/51090/0 (UK) Issue 0



The product complies with the European Safety Standards EN60335-2-30 and the European Standard Electromagnetic Compatibility (EMC) EN55014, EN60555-2 and EN60555-3. These cover the essential requirements of EEC Directives 2006/95/EC and 2004/108/EC



Infra - Red Heaters

Model(s) : IRX50N, IRX120N, IRX200N



(IP24)

THESE INSTRUCTIONS SHOULD BE READ CAREFULLY AND RETAINED FOR FUTURE REFERENCE

Model	Watts
IRX50N	500W
IRX120N	1200W
IRX200N	2000W

Important Safety Advice

Because the IRX Heater contains no moving parts little maintenance is required. Before undertaking any maintenance work on the heater due attention must be paid to the following:

This heater is designed to be horizontally wall mounted only, it must not be ceiling mounted.

Always ensure a safe mounting height, at or above a minimum height of 1.8 metres from ground level, so that the heater can not be touched when in operation.

The heater must be wall mounted level $\pm 5^\circ$ to the horizontal.

The appliance is not intended for use by young children or infirm persons without supervision unless they have been adequately supervised by a responsible person to ensure that they can use the appliance safely.

Young children should be supervised to ensure that they do not play with the appliance.

Do not locate the heater immediately above or below a fixed socket outlet or connection box.

Always disconnect the heater from the electricity supply before attempting to work on or near it.

Always ensure a safe means of access using an access tower or properly supported ladder.

Do not cover the heater.

Keep combustible materials away from the heater.

Do not look into the heater for prolonged periods

Do not use the heater if the elements are broken - as injury may occur.

Allow adequate time (minimum of 30 mins.) for the elements and body casing to cool before attempting to work on the heater.

Do not allow the supply cord to sit or hang in front of the heater while in use.

Note: Provide sufficient slack to the cable to allow for angular adjustment of the body.

The bulbs are extremely fragile and must be handled with extreme care at all times. If the bulb is accidentally touched by bare fingers remove the fingerprint with a soft cloth moistened with methylated spirits. The device must be installed in such a way that it cannot be touched by a person in the bathtub or under the shower.

General

The IRX range of infra-red wall heaters are a safe, practical source of heat in bathrooms, kitchens, work areas - anywhere where fast localised heating is required. The IRX uses quartz elements which emit a warm glow of medium wave infra-red. The IP24 rating means the appliance is suitably rated to be permanently installed either internally or externally.

Electrical

The installation of this appliance should be carried out by a competent electrician and be in accordance with the current IEE wiring regulations and any local or insurance regulations.

The IRX range are designed for use on a 230-240V AC single phase supply. A double pole isolating switch with a minimum separation of 3mm in each pole must be fitted to facilitate isolation. This switch must either be positioned inside a building or have an IP rating against water ingress suitable for external installation. The appliance must be supplied through a residual current device (RCD) having a rated residual operating current not exceeding 30mA. The appliance must be connected to a socket-outlet having an earthing contact (for Class I appliances).

Remove Packaging (See Fig.1)

Prior to installation remove the polystyrene inserts which secure the elements during transportation.

- Remove the two front grill screws.
- Remove the front grill in the direction of the arrow.
- Remove element protection polystyrene.

Replace front grill and reverse procedure.

Installation – Wall Mounting

The heater must be permanently fixed to the wall using the wall mounting bracket and screws supplied. The heater must be mounted horizontally as shown observing the minimum clearances stated in **Fig. 2**.

The minimum mounting height for the heater is 1.8 meters which requires that the mounting holes for the wall bracket be drilled at a height of 1.9 meters.

a. Remove the screw (a) to release the plastic control molding. This will allow the unit to tilt forward and allow access to the securing holes on the back of the unit - see **Fig. 3**.

b. Place heater horizontally against the wall, mark and drill holes to suit and insert the two wall fixings supplied - see **Fig. 3**

c. Place the two plastic inserts into the holes provided on the control housing and tighten screws to secure heater - see **Fig. 3**

Replace control molding and fix heater to required angle.

The bracket allows the heater to be inclined at the required angle. The siting of the heater(s) should be such as to allow an even and uninterrupted distribution of radiation to the area(s) to be heated. Heaters are most effective when the beam angle is inclined down at an angle of between 30° to 45° to the vertical. When deciding upon the best location, consideration must be given to the following requirements:

- Comfort and safety could be compromised unless the heater is mounted at or above 1.8m from ground level.
- The minimum clearance distances must be maintained as shown in **Fig. 2**.

Operation

The desired heating level can be set by pulling the pull cord switch once or repeatedly. The set heating level can be read in the display window. In position "0" the heating device is switched off.

Model	Display 0	Display 1	Display 2	Display 3
IRX50N	off	500W		
IRX120N	off	1200W		
IRX200N	off	800W	1200W	2000W

Element Replacement (see Fig. 5)

WARNING – BEFORE UNDERTAKING THIS TASK ENSURE THE HEATER IS DISCONNECTED FROM THE ELECTRICITY SUPPLY AND LEFT TO COOL FOR A MINIMUM OF 30 MINUTES.

1. Remove the two screws which hold the front grill onto the heater.
2. Remove the front grill in the direction of the arrow.
3. Remove the two element securing clips to release the element.
4. Disconnect the element wires from each side of the element.
5. Reverse procedure with new element.

Cleaning and User Maintenance

WARNING: BEFORE UNDERTAKING CLEANING OR MAINTENANCE WORK ON THE APPLIANCE, DISCONNECT THE ELECTRICITY SUPPLY.

Since the appliance contains no moving parts little maintenance is required beyond cleaning and element replacement. It is however essential that the heater is not operated with an accumulation of dust or dirt on the element, as this can cause a build up of heat and eventual damage. For this reason the heater must be inspected regularly, depending upon conditions and at least at yearly intervals. Allow adequate time for the element and body casing to cool before attempting to work on the heater - a minimum time of 30 minutes is recommended.

If the bulb is accidentally touched by bare fingers remove the fingerprint with a soft cloth moistened with methylated spirits.

Recycling

For electrical products sold within the European Community. At the end of the electrical products useful life it should not be disposed of with household waste.

Please recycle where facilities exist. Check with your Local Authority or retailer for recycling advice in your country.

After Sales Service

Your product is guaranteed for one year from the date of purchase.

Within this period, we undertake to repair or exchange this product free of charge (excluding element & subject to availability) provided it has been installed and operated in accordance with these instructions. Your rights under this guarantee are additional to your statutory rights, which in turn are not affected by this guarantee.



Should you require after sales information or assistance with this product please contact our help desk on 0845 6042330

Spare Part's information can be found on our website www.gdcgroup.co.uk by clicking on the Dimplex logo and selecting the spares information tab.

GDC Group Ltd
Millbrook House
Grange Drive
Hedge End
Southampton
SO30 2DF

Tel: 0845 604 2330
Fax: 01489 773050
Website: www.gdcgroup.co.uk
Republic of Ireland Tel. 01 8424833