

## Girona

### 4-zone wall mounted programmers: RXPW4 and RXMBS4

Dimplex 4-zone wall mounted programmers provide the flexibility of complete system control from the convenience of a single point. Each zone in the system can be individually configured with a custom 7 day time programme, allowing complete flexibility over system design. RXPW4 and RXMBS4 wall mounted programmers are compatible with Monterey, Girona, EPX, EVS, RPX, Apollo electronic panel heater and DuoHeat radiator.



- Wall mounted, mains powered units.
- Pilot wire or Mains Borne Signalling options.
- 4 zones, each with separate customisable user programme for each day of the week.
- Installer configurable option to allow switching between Comfort/Setback modes, Comfort/Off modes or Comfort/Frost protection modes.
- Manual programme over-ride facility, with automatic return to programme at next timed change.
- Continuous Comfort, Setback, Frost protection and Off modes\*.
- Holiday (time absence) mode.
- Easy to install and configure.
- Models RXPW4 (pilot wire) and RXMBS4 (mains borne signalling).
- Compatible with Monterey, Girona, EPX, EVS, RPX, Apollo electronic panel heater and DuoHeat radiator.
- RXPW4 pilot wire programmer can be used with RXPWIF interface unit to control ancillary appliances, such as towel rails or hot water systems.

Note: For MBS option, RX9913 receiver cassettes are required for each panel heater or RX03002 for each DuoHeat radiator.

Note: A mains filter RXMBSF4 is required for use with MBS controller and DuoHeat radiators, in addition to an RX03002 (which includes RXFER4 ferrite core) receiver for each DuoHeat radiator.

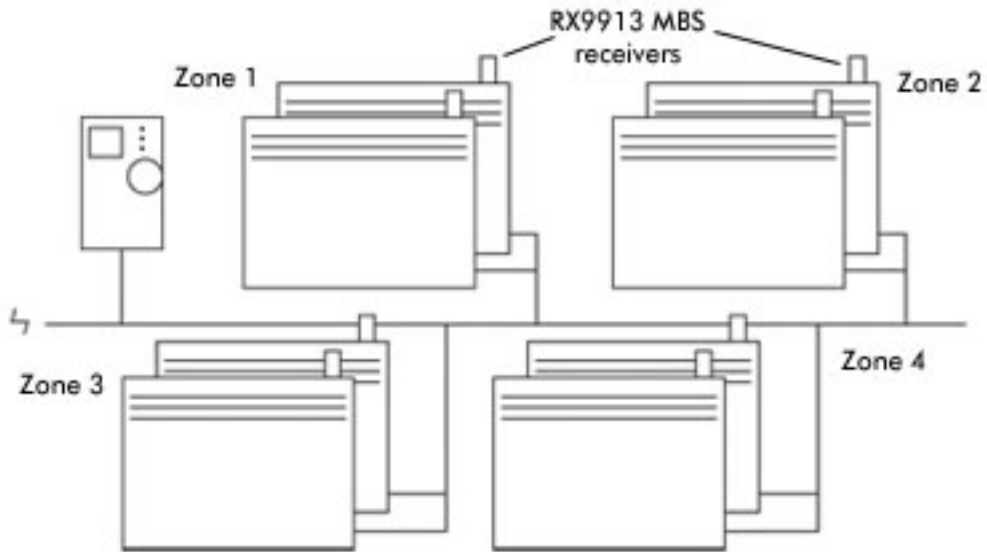
\* Off mode not applicable for DuoHeat radiators.

### Mains borne signalling connection

Mains borne signalling (MBS) uses the standard twin and earth wiring in the domestic supply circuit to carry a modulated signal between each heater. A receiver cassette is required in each slave heater to decode the signal. Unique electronic identity codes in each programmer prevent interference with receivers in different zones/buildings and negate the need for additional mains filtering.

This system is ideal for use in existing buildings where it is not possible to install an additional hard wired connection between heaters.

### MBS Four Zone Configuration

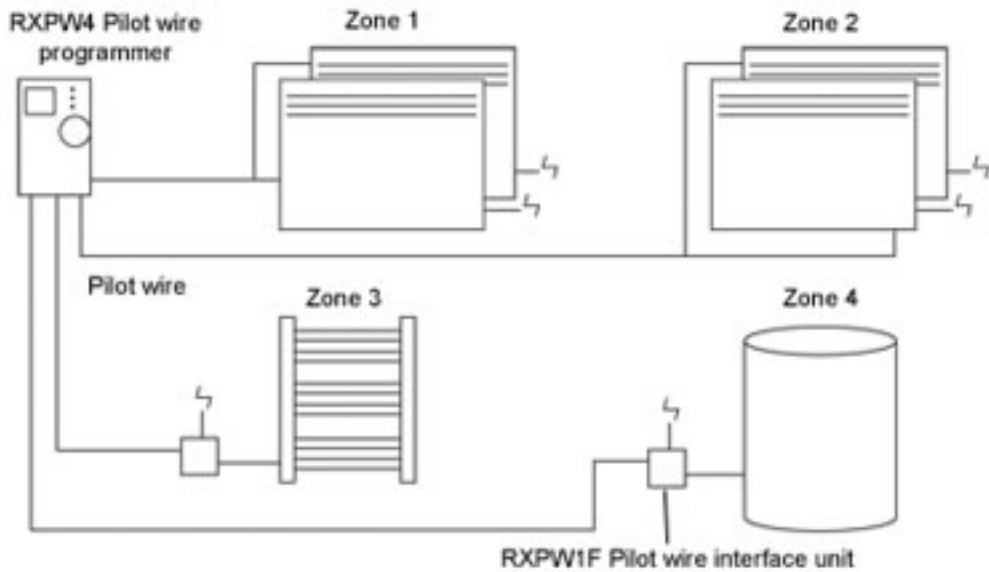


*Note: Heaters and programmers should be installed on the same supply circuit, connected to the same phase. For a 3ph installation a phase coupler should be used.*

### Pilot wire connection

Pilot wire installations utilise an additional control wire linked between each heater. This is a 240V live conductor, carrying a low current signal to activate the various modes on the heater electronic control. Up to 20 heaters per zone can be supported (dependent on controller and application). This system is ideal for new build applications as the pilot wire can be installed with the first fix wiring. As heaters require no additional receivers, this offers a cost-effective means of central control.

### Pilot Wire Four Zone Configuration



**Note: Pilot wire installations are appropriate for single phase connection only.**

## Girona

### Single zone programming cassettes: RX9911, RX9912, RX9913

RX single zone programming cassettes allow multiple Monterey, Girona, EVS, EPX, RPX and Apollo panel heaters to be controlled on a common time programme, with slave heaters linked to a master via pilot wires or mains borne signalling.



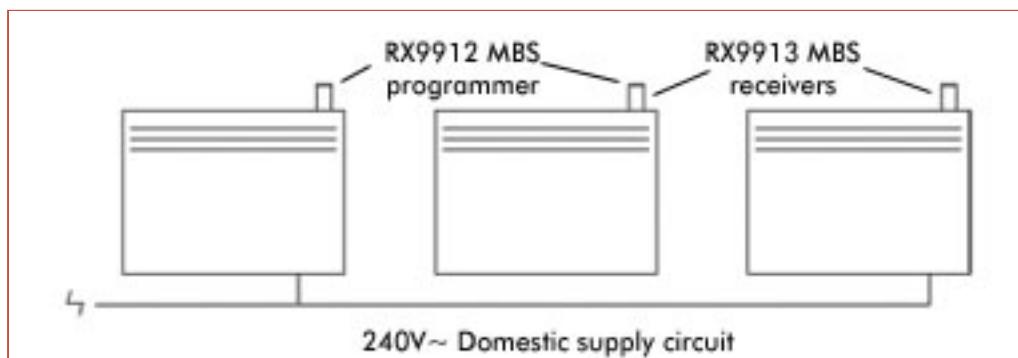
- Single zone pilot wire and mains borne signalling programming cassettes - plug directly into panel heater.
- Master/slave control - master heater fitted with programmer controls up to 20 slave heaters (receivers required for MBS versions).
- Choice of 7 preset or 1 customisable programme per day of the week, switching heater between comfort and setback modes (note: not On/Off).
- Cassette can be removed from heater for easy programming.
- Programmes saved in memory for 4 hours in event of power failure.
- Quick start user guides printed on rear of programming cassette.
- Models RX9911 (pilot wire programmer), RX9912 (MBS programmer), RX9913 (MBS receiver).
- Compatible with Monterey, Girona, EVS, EPX, RPX and Apollo ranges.
- RX9913 compatible with Monterey, Girona and EPX (white only).

### Mains borne signalling connection

Mains borne signalling (MBS) uses the standard twin and earth wiring in the domestic supply circuit to carry a modulated signal between each heater. A receiver cassette is required in each slave heater to decode the signal. Unique electronic identity codes in each programmer prevent interference with receivers in different zones/buildings and negate the need for additional mains filtering.

This system is ideal for use in existing buildings where it is not possible to install an additional hard wired connection between heaters.

### MBS Single Zone Configuration

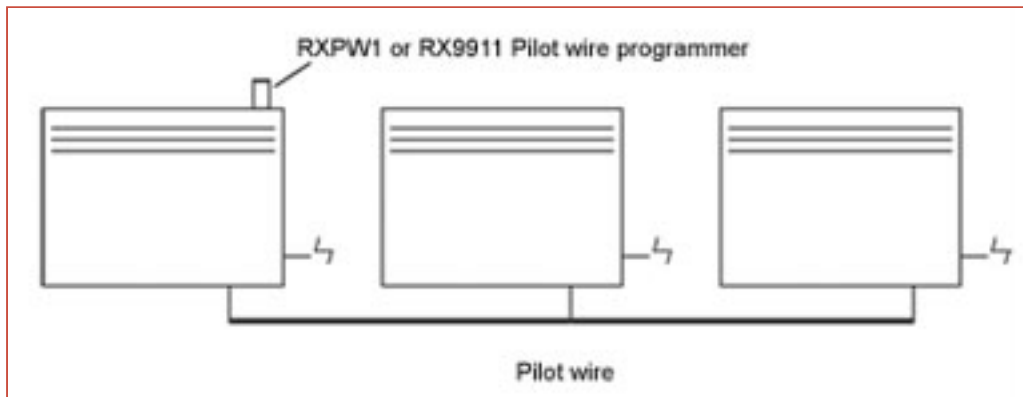


### Pilot wire connection

Pilot wire installations utilise an additional control wire linked between each heater. This is a 240V live conductor, carrying a low current signal to activate the various modes on the heater electronic control. Up to 20 heaters per zone can be supported (dependent on controller).

This system is ideal for new build applications as the pilot wire can be installed with the first fix wiring. As heaters require no additional receivers, this offers a cost-effective means of central control.

### Pilot Wire Single Zone Configuration





Comfort. By design

## Girona

### Programmable 24 hour digital timer: RX24Ti

The RX24Ti timer provides programmable 24 hour time control, so each panel heater can be configured to its own individual operating programme.

- Compatible with the EPX, Monterey and Girona ranges.
- 24 hour digital programming cassette -plugs directly into panel heater.
- 4 programmable time periods, switching heater between On/Off modes.
- Programme advance and manual override features.
- 1 timer required per heater.
- Cassette can be removed from heater for easy programming.
- Back lit LCD with power-save mode.
- Programmes saved in memory for 12 hours in event of power failure.
- Quick start user guides printed on rear of programming cassette.
- Available in white (RX24Ti) or black (RX24TiB).



## Girona

### Single zone programming cassette: RXPW1

RXPW1 single zone programming cassettes allow multiple EPX, Girona and Monterey panel heaters to be controlled on a common time programme, with slave heaters linked to a master heater via pilot wire.

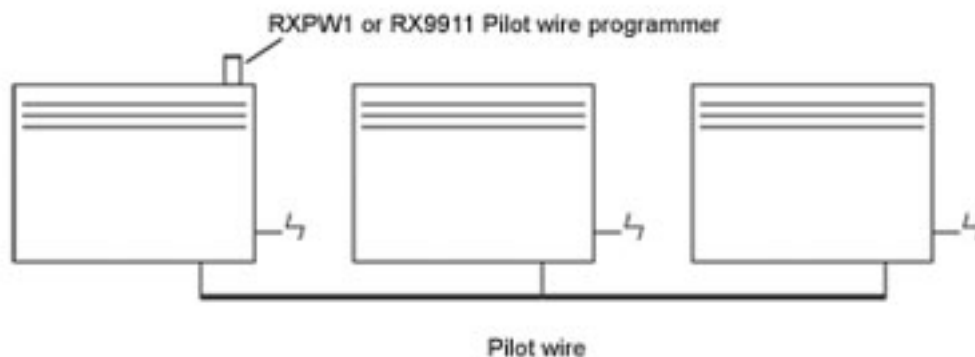


- Compatible with EPX, Girona and Monterey range only.
- 7 day, single zone pilot wire programming cassette - plugs directly into heater.
- Master/slave control - master heater fitted with programmer controls up to 10 slave heaters via pilot wire.
- 4 programmable time periods for weekdays and weekends, switching heater between On/Off modes.
- Programme advance and manual over ride features.
- Cassette can be removed from heater for easy programming.
- Back lit LCD with power-save mode.
- Programmes saved in memory for 12 hours in event of power failure.
- Quick start user guides printed on rear of programming cassette.
- Available in white only.

### Pilot wire connection

Pilot wire installations utilise an additional control wire linked between each heater. This is a 240V live conductor, carrying a low current signal to activate the various modes on the heater electronic control. Up to 20 heaters per zone can be supported (dependent on controller and application). This system is ideal for new build applications as the pilot wire can be installed with the first fix wiring. As heaters require no additional receivers, this offers a cost-effective means of central control.

### Pilot Wire Single Zone Configuration



*Note: Pilot wire installations are appropriate for single phase connection only.*



Comfort. By design

---

### Electronic runback timer: RXRBTi and RXRBTiB

The RXRBTi and RXRBTiB runback timer is ideal for controlling energy costs in areas such as student accommodation or hotels, allowing the heater to operate only for a preset period of time each time the controller is activated.



- Compatible with the EPX, Monterey and Girona panel heaters.
- Runback timer cassette - plugs directly into panel heater.
- Installer adjustable run backtime, 30 mins to 4 hours (in 30 min increments).
- Switches heater between On and Off modes on button press.
- 1 timer required per heater.
- Can be locked into heater by installer, preventing user from tampering with time settings.
- Neon indicates when time period is active.
- Alternative “advanced” mode allows heater to be controlled on comfort/background basis.
- Available in white (RXRBTi) or black (RXRBTiB).

### **After Sales Service**

After sales service if required is absolutely no problem with Dimplex - we have a network of appointed Service Agents spread throughout the Country who are qualified and trained to repair or service any of our appliances.

### **Bathrooms**

Any electrical appliances installed in a bathroom should be fitted by a competent electrician in accordance with the current I.E.E. Regulations. Portable heaters are NOT suitable for use in a bathroom. Unless otherwise specified, heaters that can be permanently fixed have to be so mounted that any controls cannot be reached by a person using a bath or shower. This restriction does not apply to Dimplex heated towel rails, which do not have controls.

### **Safety**

Dimplex products are designed to comply with EN60335 the British Standard covering the safety requirements of electric heating appliances, and momentary contact with any part of the heater should not cause injury. However, in order to be effective, heaters or towel rails of any type do get hot especially (if applicable) around the air outlet grille. Therefore if aged or infirm persons, or young children, are likely to be left unsupervised in the vicinity of a heater we advise that precautions should be taken. We recommend that a guard is fitted around the heater, as is normal with many types of heating appliances in similar circumstances, to ensure contact with the heater is avoided and objects cannot be inserted into the product. Heating appliances should never be covered or positioned where objects may fall onto them.

### **Specifications**

Dimplex policy is one of continuous improvement; the Company therefore reserves the right to alter specifications without notice. Although every care has been taken in the reproduction of product finishes in this brochure, the colour photographs should be taken only as a guide. This information is correct at the time of printing. You are advised to consult your dealer before purchasing.

### **Plugs**

All portable appliances are supplied with a fitted plug.

### **British Electrotechnical Approvals Board - BEAB Approved**

The mark of the British Electrotechnical Approvals Board signifies that the appliance bearing it has been produced to the stringent safety requirements for domestic electrical appliances as laid down in EN60335.

### **CE Mark**

Products carrying the CE mark comply with European safety standards and the European Standard for electro-magnetic compatibility.

### **Installation Guidance**

This information is designed to assist you with your choice of Dimplex products and it is not intended as an installation guide. For safety, products should only be installed by a competent person, in accordance with current regulations and the manufacturers instruction. If you require further advice concerning the installation of our products - especially where the installed dimensions may be critical to your choice and the location of the product - please consult your supplier.



Comfort. By design

Dimplex, Millbrook House, Grange Drive, Hedge End, Southampton, SO30 2DF  
For Northern Ireland please contact - Glen Dimplex N.I. Limited, Unit No. 24, Seagoe Industrial Estate, Portadown,



## Girona

### 4-zone wall mounted programmers: RXPW4 and RXMBS4

Dimplex 4-zone wall mounted programmers provide the flexibility of complete system control from the convenience of a single point. Each zone in the system can be individually configured with a custom 7 day time programme, allowing complete flexibility over system design. RXPW4 and RXMBS4 wall mounted programmers are compatible with Monterey, Girona, EPX, EVS, RPX, Apollo electronic panel heater and DuoHeat radiator.



- Wall mounted, mains powered units.
- Pilot wire or Mains Borne Signalling options.
- 4 zones, each with separate customisable user programme for each day of the week.
- Installer configurable option to allow switching between Comfort/Setback modes, Comfort/Off modes or Comfort/Frost protection modes.
- Manual programme over-ride facility, with automatic return to programme at next timed change.
- Continuous Comfort, Setback, Frost protection and Off modes\*.
- Holiday (time absence) mode.
- Easy to install and configure.
- Models RXPW4 (pilot wire) and RXMBS4 (mains borne signalling).
- Compatible with Monterey, Girona, EPX, EVS, RPX, Apollo electronic panel heater and DuoHeat radiator.
- RXPW4 pilot wire programmer can be used with RXPWIF interface unit to control ancillary appliances, such as towel rails or hot water systems.

Note: For MBS option, RX9913 receiver cassettes are required for each panel heater or RX03002 for each DuoHeat radiator.

Note: A mains filter RXMBSF4 is required for use with MBS controller and DuoHeat radiators, in addition to an RX03002 (which includes RXFER4 ferrite core) receiver for each DuoHeat radiator.

\* Off mode not applicable for DuoHeat radiators.

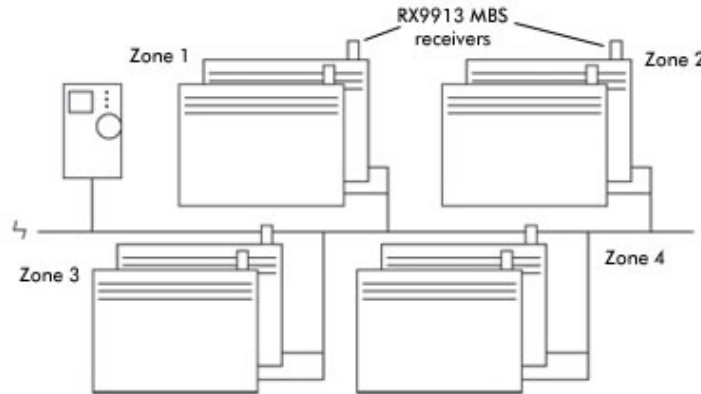
- [Range Features](#)
- [Technical Specification](#)
- [Control Options](#)
- [Where to buy](#)
- [Instructions](#)
- [Running Costs](#)
- [FAQ's](#)
- [Product information PDF](#)
- [Add to my PDF brochure](#)
- [My PDF Brochure](#)

**BUILDING REGULATIONS  
PART L COMPLIANT**

Mains borne signalling (MBS) uses the standard twin and earth wiring in the domestic supply circuit to carry a modulated signal between each heater. A receiver cassette is required in each slave heater to decode the signal. Unique electronic identity codes in each programmer prevent interference with receivers in different zones/buildings and negate the need for additional mains filtering.

This system is ideal for use in existing buildings where it is not possible to install an additional hard wired connection between heaters.

### MBS Four Zone Configuration



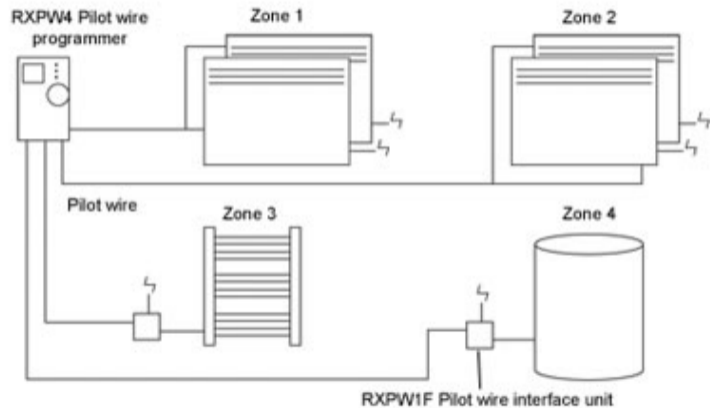
*Note: Heaters and programmers should be installed on the same supply circuit, connected to the same phase. For a 3ph installation a phase coupler should be used.*

### Pilot wire connection

Pilot wire installations utilise an additional control wire linked between each heater. This is a 240V live conductor, carrying a low current signal to activate the various modes on the heater electronic control. Up to 20 heaters per zone can be supported (dependent on controller and application).

This system is ideal for new build applications as the pilot wire can be installed with the first fix wiring. As heaters require no additional receivers, this offers a cost-effective means of central control.

### Pilot Wire Four Zone Configuration



Note: Pilot wire installations are appropriate for single phase connection only.