

Glen Skirting Heater Model : 2150



INGSUK2150 Issue 7

Dimensions (millimetres)

Model	Specification
2150	0.5KW Neon

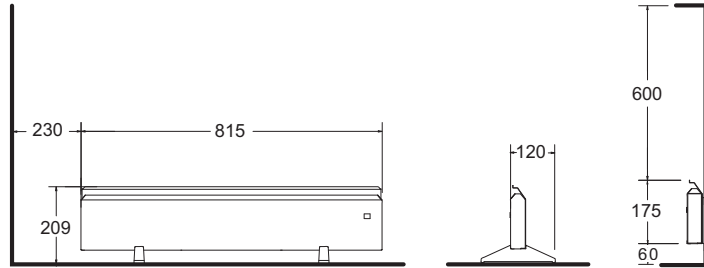


Fig. 1

IMPORTANT : THESE INSTRUCTIONS SHOULD BE READ CAREFULLY AND RETAINED FOR FUTURE REFERENCE

Important Safety Advice

If the appliance is damaged, check immediately with the supplier before installation and operation.

WARNING – THIS APPLIANCE MUST NOT BE USED IN A BATHROOM.

WARNING - DO NOT USE THIS HEATER IN THE IMMEDIATE SURROUNDINGS OF A BATH, A SHOWER OR A SWIMMING POOL.

WARNING – THIS HEATER MUST NOT BE LOCATED IMMEDIATELY BELOW A FIXED SOCKET OUTLET.

DO NOT USE THE HEATER UNTIL THE FEET ARE FITTED CORRECTLY OR IT HAS BEEN WALL MOUNTED.

FOLLOW these instructions carefully.

NEVER cover or obstruct in any way the heat outlet slots at the top of the heater or the air inlet slots in the base of the heater.

WARNING: This heater is not equipped with a device to control the room temperature. Do not use this heater in small rooms when they are occupied by persons not capable of leaving the room on their own, unless constant supervision is provided.

WARNING: In order to avoid overheating, do not cover the heater.

Caution: In order to avoid a hazard due to inadvertent resetting of the thermal cutout, this appliance must not be supplied through an external switching device, such as a timer, or connected to a circuit that is regularly switched on and off by the utility.


This appliance is not intended for use by persons (including children) with reduced physical, sensory or mental capabilities, or lack of experience and knowledge, unless they have been given supervision or instruction concerning use of the appliance by a person responsible for their safety. Children should be supervised to ensure that they do not play with the appliance.

If young children, the aged or infirm are likely to be left in the vicinity of the heater, we advise that adequate precautions should be taken. We recommend that a guard be fitted to ensure contact with the heater is avoided and objects cannot be inserted into the product.

If the supply cord is damaged, it must be replaced by the manufacturer, its service agent or a similarly qualified person in order to avoid a hazard.

IMPORTANT : If the plug is not suitable for your socket, the 13 amp plug should be removed. Before wiring the appropriate plug, please note that the wires in this mains lead are coloured in accordance with the following code :

GREEN AND YELLOW:	EARTH
BLUE :	NEUTRAL
BROWN :	LIVE

Connect the **GREEN AND YELLOW** wire to the terminal marked 'E' or by the earth symbol , or coloured **GREEN** or **GREEN AND YELLOW**.

Connect the **BROWN** wire to the terminal marked 'L' or coloured **RED**.

Connect the **BLUE** wire to the terminal marked 'N' or coloured **BLACK**.

General

The heater may be used free standing on feet or wall mounted on the brackets. The necessary feet and wall brackets are provided. The heater should only be operated when in the upright position as shown in Fig.1.

Fitting Feet

To attach the feet, use the two screws provided in the base of the heater.

Positioning the heater

When using the product free standing always ensure that the heater is stood on a firm, level base near to, but not directly beneath, a suitable mains supply socket, ensuring at least 600mm clearance from any shelf above.

Ensure that curtains and furniture are not positioned close to the chosen position, as this would create a potential fire hazard.

See also 'Important Safety Advice'.

NEVER USE THE HEATER FREE STANDING WITHOUT THE FEET FITTED.

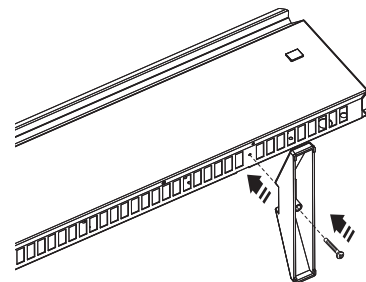


Fig. 2

Electrical connection

WARNING – THIS APPLIANCE MUST BE EARTHED

This heater must be used on an ~ supply only and the voltage marked on the heater must correspond to the supply voltage. This heater is fitted with a rewirable plug incorporating a 13 amp fuse. In the event of replacing the fuse in the plug supplied, a 13 amp fuse approved by ASTA to BS 1362 must be used. If any other type of plug is used, a 15 amp fuse must be fitted in the plug, the adaptor, or at the distribution board.

Lay the heater on its back, (If wall brackets attached, remove), locate the foot fixing screw (see 'a' in Fig. 3). Remove the screw using an X-head screwdriver, then align foot over hole in base and insert the foot fixing screw, tighten using a screwdriver to secure the foot.

Wall Mounting

IMPORTANT - The wall brackets supplied with the heater must be used.

Four identical wall mounting brackets are secured to the base of the heater with a fixing screw. To wall mount appliance, first remove the brackets as follows :

Lay the heater on its back. Following the sequence in Fig. 3 – identify and remove the fixing screw securing the brackets as shown in (a), then pull out brackets to disengage them from the slot (b), rotate them and withdraw the brackets from the slot (c).

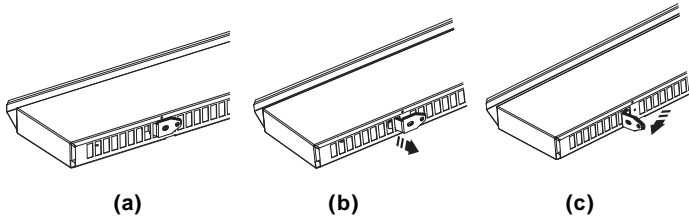


Fig. 3

The heater should be positioned observing the minimum clearances - see Fig.1 and in accordance with the safety warnings.

Select a suitable position on a wall, near to a mains power socket, making sure that there is *at least* 60 mm below the heater and *at least* 600 mm above the heater of unobstructed space. See also 'Positioning the heater'.

Fix the two top retaining brackets to the wall, using suitable fixings at 480 mm centres – see Fig 4.

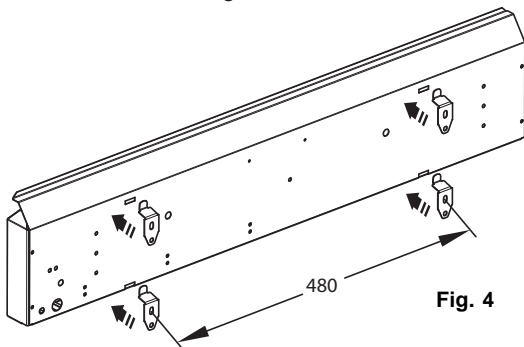


Fig. 4

Locate the heater on the top brackets and allow it to hang in place.

Fit the bottom brackets into the slots in the heater and then fix it to the wall.

Test that the heater is now securely fixed to the wall.

Using the heater

Plug in and switch on at the wall socket, the 'mains on' neon will light when the heater is connected to the power supply.

The heat output is 500 watts.

PLEASE NOTE – THE ELEMENT HAS BEEN COATED WITH A PROTECTIVE FILM WHICH WILL BURN OFF DURING THE FIRST FEW MINUTES OF USE AND MAY CAUSE A SMALL AMOUNT OF FUMING. THIS IS QUITE NORMAL – THE FUMES ARE NON-TOXIC AND WILL QUICKLY DISAPPEAR. WE RECOMMEND THAT YOU OPEN A WINDOW TO VENTILATE THE ROOM WHEN USING THE HEATER FOR THE FIRST TIME.

Safety - overheat protection

The heater is fitted with a cutout which switches off the supply in the event of overheating caused by covering the heater. Normal operation will be automatically resumed shortly after removing the covering article.

Cleaning and User Maintenance

WARNING – ALWAYS DISCONNECT FROM THE POWER SUPPLY BEFORE CLEANING THE HEATER.

Do not use detergents, abrasive cleaning powder or polish of any kind on the body of the heater.

Allow the heater to cool, then wipe with a dry cloth to remove dust and a damp cloth (not wet) to clean off stains. Be careful not to allow moisture into the heater.

Recycling



For electrical products sold within the European Community.

At the end of the electrical products useful life it should not be disposed of with household waste.

Please recycle where facilities exist.

Check with your Local Authority or retailer for recycling advice in your country.

After Sales Service

Your product is guaranteed for one year from the date of purchase.

Within this period, we undertake to repair or exchange this product free of charge provided it has been installed and operated in accordance with these instructions.

Your rights under this guarantee are additional to your statutory rights, which in turn are not affected by this guarantee.

Should you require after sales information or assistance with this product please go to www.dimplex.co.uk where you will find our self help guide by clicking on "After Sales" or ring our helpdesk on 0845 600 5111 (UK) or 01 842 4833 (R.O.I.) .

Please retain your receipt as proof of purchase.

CE The product complies with the European Safety Standards EN60335-2-30 and the European Standard Electromagnetic Compatibility (EMC) EN55014, EN60555-2 and EN60555-3. These cover the essential requirements of EEC Directives 2006/95/EC and 2004/108/EC

GDC GROUP LTD
MILLBROOK HOUSE
GRANGE DRIVE
HEDGE END
SOUTHAMPTON
SO30 2DF

TEL: 0845 600 5111
FAX: 01489 773050
WEBSITE: www.dimplex.co.uk
Republic of Ireland Tel. 01 8424833

[c] GDC Group Ltd,

All rights reserved. Material contained in this publication may not be reproduced in whole or in part, without prior permission in writing of Dimplex.
A division of GDC Group Ltd.