

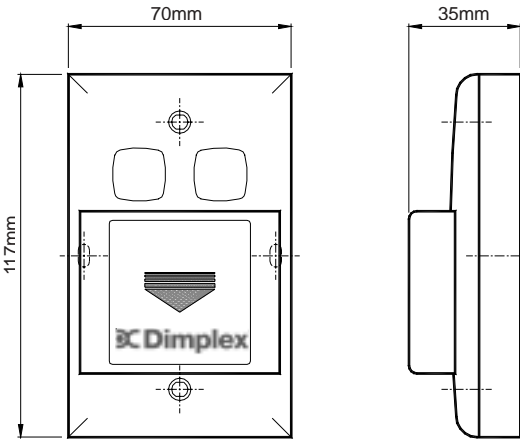
Key Switch

Model No. KX03001



08/18964/0 - Issue 0

DIMENSIONS (millimetres)



Important Safety Advice

- Do not use this appliance in the immediate surroundings of a bath, a shower or swimming pool.
- Do not use where excessive dust or moisture is present.
- This unit must only be used on an A.C. Mains supply of 230/240V.
- For use in normal pollution situations only.

THESE INSTRUCTIONS SHOULD BE READ CAREFULLY AND RETAINED FOR FUTURE REFERENCE

GENERAL DESCRIPTION

The KX03001 can be used in conjunction with the Dimplex PLX, SPX, EVS, EVX, RPX and Calidou panel heaters. The unit is designed to be flush mounted to a single BS backing box using the adaptor plate provided. The unit comprises 2 x 20 Amp (250VAC) rated single pole changeover mechanisms, together with a neon that is designed to provide an easily visible backlit card pocket.

Note 1:

When the fob is removed a neon will light to aid the user, whether used in On/Off or Pilot Wire installations.

Note 2:

This unit contains a second 20 Amp rated mechanism to allow another device to be switched (e.g. lighting).

OPERATING INSTRUCTIONS

Dependant on the heater used and wiring, the KX03001 can operate in either On/Off switching mode, or in Pilot Wire mode when used with a suitable heater.

ON/OFF SWITCHING

Using the key fob provided, place the fob into the pouch to switch the heater **On**. Removing the fob isolates the power and turns the heater **Off**.

PILOT WIRE SWITCHING

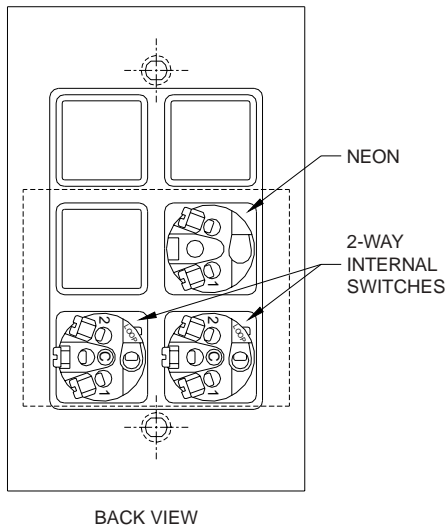
Using the key fob provided, place the fob into the pouch to switch the heater to its **comfort temperature** setting. Removing the fob switches the heater to its **background temperature setting** when the room is unoccupied.

INSTALLATION

Before undertaking installation work, ensure the electricity supply is disconnected from any fixed wiring.

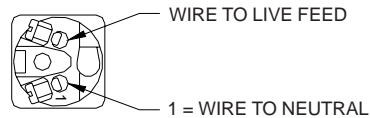
- All wiring should be carried out by a qualified Electrician in accordance with the current IEE Wiring Regulations.
- This unit is designed for fitting to a standard single BS backing box with a depth of 25mm.
- Please ensure the top and bottom lugs are removed, if fitted, from metal wall boxes prior to fitting.
- Ensure that there is adequate space for wiring.
- Please see the following diagrams for your chosen connection type (On/Off, Pilot Wire).

CONNECTIONS AND WIRING DIAGRAM

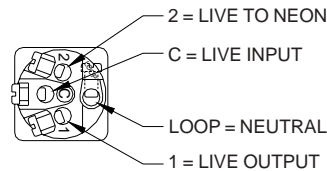


TERMINAL CONNECTIONS

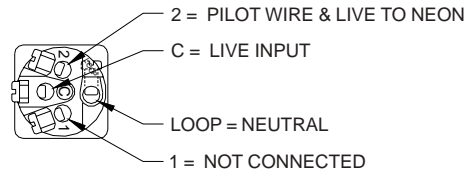
NEON INDICATOR UNIT



ON/OFF SWITCHING USING 2-WAY INTERNAL SWITCH UNIT



PILOT SWITCHING USING 2-WAY INTERNAL SWITCH UNIT



C = COMMON TERMINAL
1 = NORMALLY OPEN TERMINAL
2 = NORMALLY CLOSED TERMINAL
LOOP = NOT CONNECTED

GENERAL CLEANING

The outside of the unit should be wiped over with a soft damp cloth only. Do not use detergents or abrasives.

AFTER SALES SERVICE

Your Dimplex product is guaranteed for one year from the date of purchase. We undertake to exchange this product free of charge within this period if found to be defective and only when used as per instructions. Should you require after sales service, please contact the Dimplex customer help desk listed below. Please do not initially return a faulty product, as this may result in loss or damage which can cause delay in providing service. Let us know your difficulty quoting the model number and we will then take the appropriate action.

Glen Dimplex UK Ltd.
Millbrook House, Grange Drive
Hedge End, Southampton
Hampshire SO30 2DF

Tel: Customer Services 0870 727 0101
Fax: Customer Services 0870 727 0102
Email: customer.services@glendimplex.com
Website: www.dimplex.co.uk