

AUGUST 2007
CI/SFB (56)
www.dimplex.co.uk

outdoor heating

Feeling comfortable outside, whatever the weather



All the comfort of indoors, outdoors

Dimplex 'all-weather' outdoor heating

Whether it's to provide a comfortable place to smoke outside, increase the number of covers with outside dining, or just to offer suitable outdoor heating for the garden, Dimplex all-weather outdoor heaters are the ideal solution. They're simple to install, safe to use and one of the most effective solutions for outdoor heating currently available, with a number of benefits over gas patio heaters.

Never be out in the cold

“The easy and safe solution for outdoor heating”

Landlord, Rising Sun Public House
Christchurch, Dorset

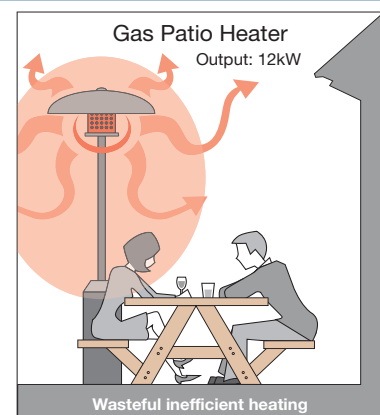
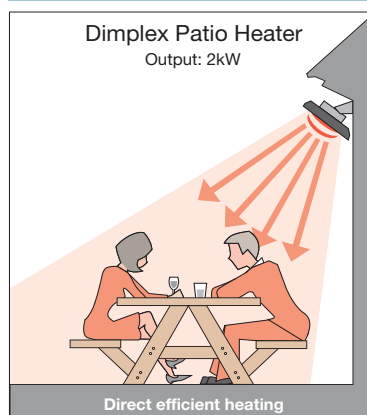


Convenience comes as standard

The Dimplex range of electric outdoor heaters are easy to install and need no regular maintenance unlike gas patio heaters, which also have inconvenient and expensive gas bottles to change and store. These heaters really do provide heat at the flick of a switch – 365 days a year, making them the ideal hassle free, 'fit and forget', outdoor heating solution.

How do they work?

The heaters transmit harmless infra-red radiant energy, like the sun, that turns into heat only when it comes into contact with a solid object i.e. people. So you're not heating the atmosphere or having the heat blown away in the wind - unlike outdoor gas heaters.





Eco sensitive

The Dimplex outdoor heating range are some of the most efficient outdoor heaters available and much kinder to the environment than a gas patio heater:

- They're extremely efficient, providing comfortable warmth with only a low energy input. The 2kW OPH20 gives off heat comparable to a 12kW gas heater.
- Heat loss is minimised with infra-red technology heating solid objects only.
- No need to transport heavy gas bottles, so reducing carbon intensive distribution.
- When linked to our PIR sensor the heater will switch off automatically, reducing running costs even further.

Safely secured

Dimplex outdoor heaters can be permanently mounted on a wall or on an umbrella*, so cannot be knocked over accidentally. And because they are electric you don't need to worry about poisonous carbon monoxide, or potentially explosive gas bottles stored on the premises.

**selected models only*



Better comfort

The instant directional heat can be felt straight away, with no waiting for the heater to warm-up. Even on a breezy day the heat will not be blown away and the heaters are water proof so even on rainy days, they can still be used.

Better efficiency

- Running costs of only 10p-14p per hour[†]
- Can be linked to PIR sensor
- No regular maintenance - heating elements lasting up to 5000 hours

[†]based on model and tariff of 7p kWh

radiant heating

What's the benefit?

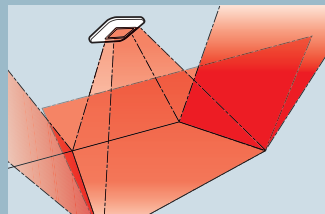
- **Heats like the Sun**
Radiant heat passes through the air and heats solid objects making it highly efficient wherever it's installed.
- **Instant heat**
No waiting around for the heat to be experienced, radiant heaters provide instant heat, cutting the cost of outdoor heating overall.
- **Low running costs**
Because people are heated, rather than the air around them, you only pay for the heat you really need, rather than heating the atmosphere.
- **Silent running**
With no moving parts, the Dimplex heaters are silent when operating, making them perfect where noise would otherwise be a problem.
- **Low capital cost**
With a highly focussed beam of heat, these heaters allow you to select fewer heaters, but place them exactly where the heating need is – cutting capital costs.

When used with PIR sensors, further energy savings are available.

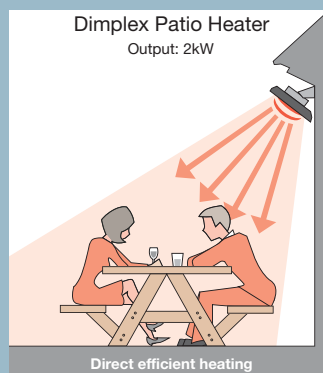
How does radiant heating work?



Radiant heaters use the oldest form of heating known to man. Just as the sun's rays heat the earth, so our radiant heaters use this same method of heating objects (the earth, people, buildings etc) rather than the air between them for effective performance.



These radiant heaters transmit infra-red energy which is converted into heat when it is absorbed by objects which in turn then begins to warm the surrounding areas as surface temperatures rise.



Because the energy is only turned into heat as it comes into contact with solid objects, this heating technology can be used either indoors where building insulation would normally be a problem, or outdoors where localised people heating is desired. In this instance the heat provided is highly efficient as very little is lost into the atmosphere, unlike other methods of heating.

The range

There are three types of outdoor electric radiant heaters in the Dimplex range.

Infra-red element



With fast heat-up and a warm glow, these quartz infra-red elements operate up to 1500°C for instant, trouble-free performance.

Gold finish halogen element



For extended performance, the quartz halogen element fitted to the OPH20 runs at up to 2,200°C and offers 2kW performance with a gold finished lamp for 15% greater transmission.

Ceramic



These ceramic encased aluminium elements operate over a longer wavelength with lower temperatures to provide a softer heat without the glow experienced with other element types.

outdoor patio heaters

the OPH range

With a high quality aluminium case and a choice of outputs, these new patio heaters provide long lasting performance with an attractive modern design, perfect for outdoor dining areas or heating for smokers!

With running costs as low as 10p kWh* and an optional mounting kit for fixed hanging installation or pole/mast mounting, they are truly flexible.

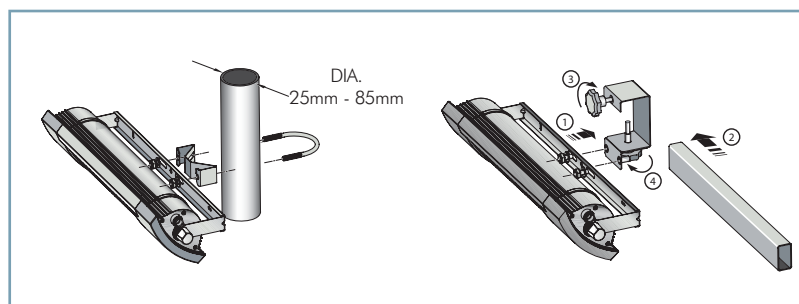


Model OPH13

Range features

- High quality aluminium case finished in two-tone silver.
- 1.3kW Quartz Infra-red model.
- 2.0kW Quartz halogen model with "gold" lamp for extended performance.
- Designed and rated for permanent external installations.
- Instant heat – avoiding the need for expensive pre-heating.
- Costs as little as 10p kWh* to run.
- 'In-situ' lamp preplacement for minimum downtime.
- Fitted guard included.
- Optional mounting kit for hanging or pole/mast mounting.

* dependant on tariff



OPH mounting kit containing pole/mast mounting bracket and hanging bracket

Technical Specification

Model	OPH13	OPH20
Heat output	1.3kW	2.0kW
Supply	230v 1P&N	230v 1P&N
Dims (HxWxD)	159x594x144	159x594x144
Construction	Aluminium	Aluminium
Element	Infra-red	Halogen
Colour	Silver	Silver
Approvals	CE, IP24	CE, IP24
Min Mounting Height	1.8m	1.8m
Rec. Mounting Height	2.0-2.3m	2.0-2.3m
Heat throw at 2m mounting height*	1.7m	2.0m
Heat spread at 2m mounting height*	3.0m	3.5m

* Heater mounting angle 45° angle giving 160W/m²

ceramic radiant heaters

the CXD range

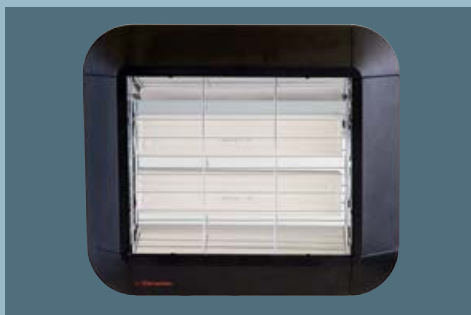
Using long-wave infra-red technology, these radiant heaters use ceramic elements to radiate heat with no distracting light output.

Perfect where robust radiant heating is required, these heaters can be mounted inside or outside giving a localised “zone” of heat.

Offered in vertical (2 x elements stacked) or horizontal (2 x elements side to side) formats, these 2kW models are ideal “people” heaters.



Model CXD2000H



Model CXD2000V



Model CXD2000H

Range features

- Robust ceramic elements for efficient radiant heating.
- Discreet heating without visible light output.
- Rated for permanent exterior use.
- Fitted guard included.
- Adjustable mounting bracket.
- Choice of two models.

Technical Specification

Model	CXD2000V	CXD2000H
Heat Output	2.0kW	2.0kW
No. Elements	2	2
Supply	230v 1P&N	230v 1P&N
Approvals	CE, IPX4	CE, IPX4
Colour	Black	Black
Dims (HxWxD)	380x442x121	255x735x122
Min Height	1.8m	1.8m
Rec. Height	2.0m	2.0m
Heat throw at 2m mounting height*	1.8m	2.0m
Heat spread at 2m mounting height*	1.3m	1.4m

* Heater mounting angle 45° angle giving 95W/m²

automatic PIR control

the DX4130 PIR Controller

The ideal solution where occupancy is variable.

This PIR sensor offers even greater energy savings by turning heaters off when no activity is detected within their zone. Suitable for use with all the Dimplex outdoor patio heaters, they can be installed in external locations with confidence.



Model DX4130

Product features

- Automatically switches the heater on or off depending on activity.
- IP54 rated for permanent external use.
- Full 180° coverage over 15m if required.
- Time delay adjustment (10 seconds to 21 minutes).
- Size of detection area can be reduced.
- Compatible with all Dimplex electric radiant heaters up to 3kW output.

Technical specifications

the OPH range

Construction

Aluminium case with specular quality electrochemically brightened aluminium reflector and fitted chromium plate mild steel guard.

Elements

OPH13 – Quartz infra-red spiral element in transparent silica sleeve.

OPH20 – Quartz halogen gold coated tungsten element in glass sleeve.

the CXD range

Construction

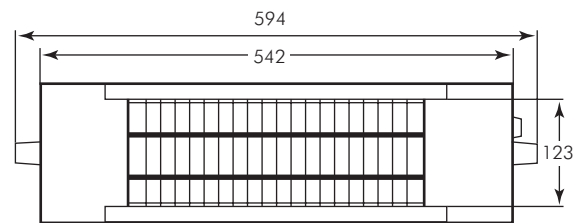
Matt black powder coated steel case with electrochemically brightened aluminium reflector and fitted chromium plate mild steel guard.

Elements

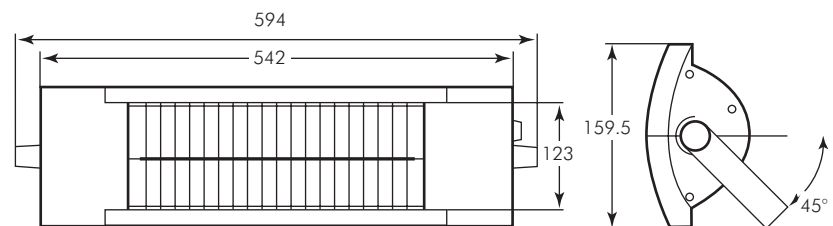
Ceramic encased aluminium heating element giving heat without visible glow.

General dimensions

the OPH range

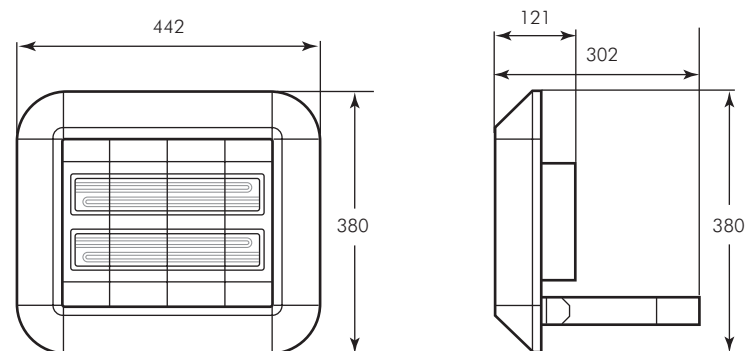


OPH13 WITH TWO QUARTZ ELEMENTS

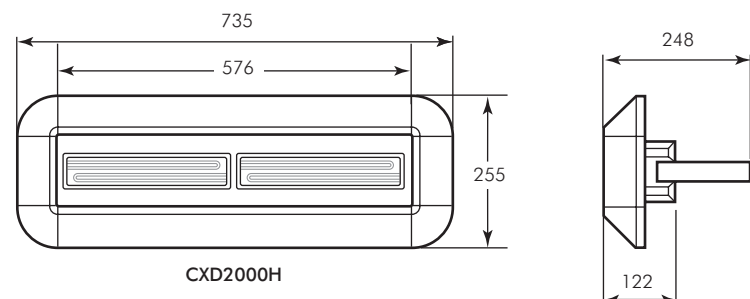


OPH20 WITH ONE HALOGEN ELEMENT

the CXD range



CXD2000V



CXD2000H

After Sales Service

After sales service if required is absolutely no problem with Dimplex – we have a network of appointed Service Agents spread throughout the Country who are qualified and trained to repair or service any of our appliances.

Safety

Dimplex products are designed to comply with EN60335, the British standard covering the safety requirements of electric appliances, and momentary contact with any part of a hot appliance should not cause injury. However, many of the Dimplex commercial products do contain heating elements that mean the appliance will get hot to touch, particularly close to air outlet grilles and near to heating elements. As a result, Dimplex recommend anyone in the vicinity of an appliance should be aware and take relevant precautions. For commercial buildings where building use is constantly changing or for individuals unable to understand we recommend grilles are used where available or supervision provided to avoid contact with appliances and foreign objects being inserted into the product.

Please do not cover or position a Dimplex product where objects may fall on it.

Specifications

Dimplex policy is one of continuous improvement; the Company therefore reserves the right to alter specifications without notice. Although every care has been taken in the reproduction of product finishes in this brochure, the colour photographs should be taken only as a guide. The information contained in this brochure is correct at the time of printing. You are advised to consult your supplier before purchasing.

British Electrotechnical Approvals Board BEAB Approved



The mark of the British Electrotechnical Approvals Board signifies that the appliance bearing it has been produced to the stringent safety requirements for domestic electrical appliances as laid down in EN60335.

CE Mark

Products carrying the CE mark comply with European safety standards and the European Standard for electro-magnetic compatibility.



Installation Guidance

This brochure is designed to assist you with your choice of Dimplex products and it is not intended as an installation guide.

For safety, products should only be installed by a competent person, in accordance with current regulations and the manufacturers instructions. If you require further advice concerning the installation of our products – especially where the installed dimensions may be critical to your choice and the location of the product – please contact our Customer Care on 0845 600 5111 or consult your supplier.

The Dimplex Range

Dimplex offers the widest range of electric space and water heating products in the world – nearly 400 – to meet almost any heating need. In addition to this publication, we have a wide range of brochures for both domestic and commercial applications. Choose from:



Commercial brochure



Water heating brochure



Heat pumps brochure



Range brochure



Ascari electric boiler brochure



Solar hot water brochure



Fires brochure



Portables brochure

Useful Numbers

Tel: 0845 600 5111
Fax: Customer Care: 01489 773053
Brochure line: 01489 773063
Main Reception: 01489 773050
Email: customer.services@dimplex.co.uk
Website: www.dimplex.co.uk



© Dimplex UK Limited
All rights reserved. Material contained in this publication may not be reproduced in whole or in part, without prior permission in writing from Dimplex UK Limited.
Printed on paper from sustainable sources.

Please note that the dimensions contained within this brochure do not in all cases include clearances required around installed products for safe operation.



Dimplex UK Limited, Millbrook House, Grange Drive, Hedge End, Southampton, SO30 2DF
For Northern Ireland please contact – Glen Dimplex N.I. Limited, Unit No. 24, Seagoe Industrial Estate, Portadown, Craigavon, Co. Armagh, BT63 5TH. Telephone: 02838 337317

Designed and produced by Carrington Caunter Associates Limited, Christchurch (Bournemouth). Telephone 01202 499612