

## TR Towel Rails

 TRC90/W / TRS120/W / TRC130/W /  
 TRB130/W / TRC150/W / TRS175/W


## Product Description

Permanently oil filled electric towel rails for maintenance free operation

## Key Features

- Oil filled
- Mains neon indicator
- All Models can be used with Dimplex energy regulator DX4123
- Supplied with wall mounting brackets as standard
- Feet available as an optional extra on selected models

## Technical Specification

**Controls**

No external controls.  
 Built in temperature limiter and overheat protection.  
 Suitable for connection to external thermostats or timers, in accordance with IEE regulations

**Cable**

1 metre of pre-fitted electrical cable

**Construction**

Tubular steel.  
 Permanently oil filled.

**Installation**

Suitable for connection to the fixed wiring of the premises via a suitable double pole isolating switch. Installation must be carried out in accordance with the current IEE Wiring Regulations.

Wall mounted with left or right cable entry.  
 TRC130W, TRC150W, TRS175W can be floor standing with feet as an optional extra

**Colour/Finish**

Chrome plated or White stove enamelled

**IP Rating**

IPX4

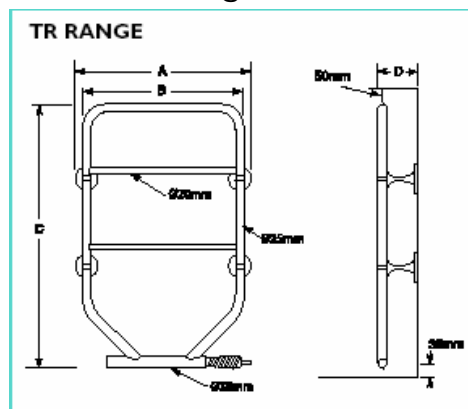
**Standard Warranty**

12 months

**Approvals**

CE and BEAB approved

## Product Range Details



	TRC90W	TRS120W	TRC130W	TRC150W	TRS175W
<b>Performance</b>					
Loading (W)	60	120	90	120	175
<b>Dimensions</b>					
A (mm)	570	570	570	825	570
B (mm)	533	533	533	787	533
C (mm)	616	616	851	851	851
D (mm)	114	114	114*	114*	114*
Depth with feet (mm)	N/A	N/A	165	165	165

## Additional Information

## Accessories

Towel Rail Energy Regulator (Part no.DX4123)

\*Including wall bracket. Feet (selected models only)

Chrome – for TRC130W, TRC150W (Part no.TR2212)

White – for TRS175W (Part no.TR2304)