

Dimensions (millimetres)

Models	Specification
DXC20	2.0kW On/Off Switch/Heat Switch/T'stat/Neon
DXC20Ti	2.0kW Heat Switch/T'stat/24hr Timer
DXC20F	2.0kW On/Off Switch/Heat Switch/T'stat/Neon/Turbo Fan
DXC20FTi	2.0kW Heat Switch/T'stat/Neon/24hr Timer/Turbo Fan
DXC30	3.0kW On/Off Switch/Heat Switch/T'stat/Neon
DXC30Ti	3.0kW Heat Switch/T'stat/24hr Timer
DXC30F	3.0kW On/Off Switch/Heat Switch/T'stat/Neon/Turbo Fan
DXC30FTi	3.0kW Heat Switch/T'stat/Neon/24hr Timer/Turbo Fan

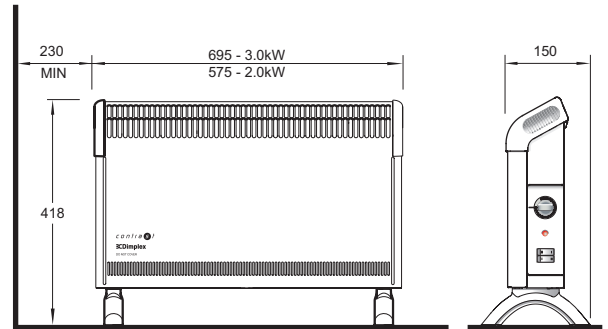


Fig. 1

IMPORTANT : THESE INSTRUCTIONS SHOULD BE READ CAREFULLY AND RETAINED FOR FUTURE REFERENCE
As with all portable heating appliances - This product is only suitable for well insulated spaces or occasional use

Important Safety Advice

WARNING: This appliance must not be used in a bathroom.

WARNING: Do not use this heater in the immediate surroundings of a bath, a shower or a swimming pool.

WARNING: This heater must not be located immediately below a fixed socket outlet.



The heater carries a warning symbol to alert the user to the risk of fire that exists if the heater is accidentally covered.

WARNING: In order to avoid a hazard due to inadvertent resetting of the thermal cut-out, this appliance must not be supplied through an external switching device, such as a timer, or connected to a circuit that is regularly switched on and off by the utility.

This appliance can be used by children aged from 8 years and above and persons with reduced physical, sensory or mental capabilities or lack of experience or knowledge if they have been given supervision or instruction concerning the use of the appliance in a safe way and understand the hazards involved. Children shall not play with the appliance. Cleaning and user maintenance shall not be made by children without supervision.

Children of less than 3 years should be kept away unless continuously supervised. Children aged from 3 years and less than 8 years shall only switch on/off the appliance provided that it has been placed or installed in its intended normal operating position and they have been given supervision or instruction concerning the use of the appliance in a safe way and understand the hazards involved. Children aged from 3 years and less than 8 years shall not plug in, regulate and clean the appliance or perform user maintenance.

CAUTION: Some parts of this product can

become very hot and cause burns. Particular attention has to be given where children and vulnerable people are present. If the mains lead is damaged, it must be replaced by the manufacturer or its service agent or a similarly qualified person in order to avoid a hazard.

WARNING: Do not use the heater on deep pile carpets or the long hair type of rugs. Keep combustible materials such as drapes and other furnishings clear from the front, sides and rear of the heater. Do not use the heater to dry your laundry.

The instruction leaflet belongs to the appliance and must be kept in a safe place. If changing owners, the leaflet must be surrendered to the new owner.

WARNING: Do not use heater in small rooms when they are occupied by persons who are not capable of leaving the room on their own, unless constant supervision is provided.

WARNING: The heater should only be used on a horizontal and stable surface with the feet securely fitted.

Electrical connection

WARNING – THIS APPLIANCE MUST BE EARTHED

The use of an extension lead or multi-plug adaptor is not advised when connecting this product to the mains. Connection through these devices could lead to a risk of overloading, overheating and even fire at the extension lead or adaptor due to inadequate connection quality.

This heater must be used on an AC (~) supply only and the voltage marked on the heater must correspond to the supply voltage. This heater is fitted with a rewirable plug incorporating a 13 amp fuse. In the event of replacing the fuse in the plug supplied, a 13 amp fuse approved by ASTA to BS 1362 must be used. If any other type of plug is used, a 15 amp fuse must be fitted in the plug, the adaptor, or at the distribution board.

IMPORTANT : If the plug is not suitable for your socket, the 13 amp plug should be removed. Before wiring the appropriate plug, please note that the wires in this mains lead are coloured in accordance with the following code :

GREEN AND YELLOW:	EARTH
BLUE :	NEUTRAL
BROWN :	LIVE

Connect the **GREEN AND YELLOW** wire to the terminal marked 'E' or by the earth symbol ⊕, or coloured **GREEN** or **GREEN AND YELLOW**. Connect the **BROWN** wire to the terminal marked 'L' or coloured **RED**. Connect the **BLUE** wire to the terminal marked 'N' or coloured **BLACK**.

Using the heater

WARNING: DO NOT USE THE HEATER UNTIL THE FEET ARE FITTED CORRECTLY.

The product can only be used as a portable unit. Once the requirements below have been met the product is ready to be used. Simply plug in and switch on at the wall socket.

There are various control options available with various combinations comprising of thermostat, switched, timer & indicating neons. Please note – the element has been coated with a protective film which will burn off during the first few minutes of use and may cause a small amount of fuming. This is quite normal – the fumes are non-toxic and will quickly disappear. We recommend that you open a window to ventilate the room when using the heater for the first time.

Positioning the heater

Always ensure that the heater is stood on a firm, level base near to, but not directly beneath, a suitable mains supply socket.

Ensure that curtains and furniture are not positioned close to the chosen position, as this would create a potential fire hazard. If young children, the aged or infirm are likely to be left in the vicinity of the heater, we advise that adequate precautions should be taken. We recommend that a guard be fitted to ensure contact with the heater is avoided and objects cannot be inserted into the product.

For further information, please contact our guard supplier direct on Tel. No. 0207 987 1184, or in case of difficulty or for further advice contact the Customer Helpline.

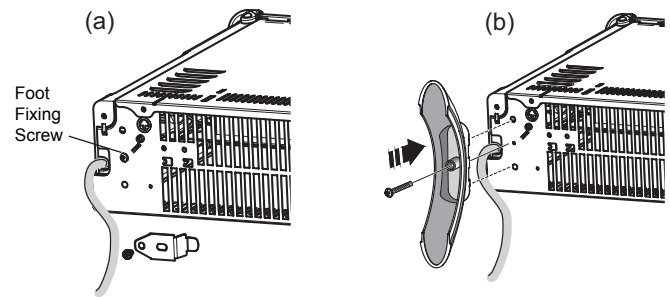


Fig. 2

Free standing use

NEVER USE THE HEATER FREE STANDING WITHOUT THE FEET FITTED.

Lay the heater on its back, locate the foot fixing screw (see 'a' in Fig. 2) and remove the screw using an X-head screwdriver, then align foot over slots and holes in base (see 'b' in Fig. 2) and push into the slots. Finally take the foot fixing screw, insert and tighten using a screwdriver to secure the foot.

Using the heater

Plug in and switch on at the wall socket. The mains neon indicator will glow showing that power is available.

On models with a timer clock, the clock will operate all the time that the heater is connected to the mains supply, regardless of the setting of the heat selector switch. Set the timer control switch as required for OFF, Manual or Automatic operation – see 'Timer Operations'.

The heat output is controlled by the thermostat - see 'Thermostat'.

Controls Thermostat

The thermostat controls the heat output according to the room temperature.

This ensures that the heater will not produce heat unnecessarily when the room is warm.

To set the temperature you require, turn the thermostat knob clockwise until the desired temperature is reached. Alternatively to heat a cold room quickly, turn the thermostat knob up fully.

When the room has reached the desired temperature, turn the thermostat knob anti-clockwise until the thermostat just clicks off.

The heater will now automatically operate at this temperature.

The thermostat also has a frost protection setting marked with a snowflake symbol. This setting is useful in areas such as garages to prevent frost damage. If the thermostat is set to its minimum setting with the snowflake symbol, the heater will cycle ON and OFF to maintain a temperature of approximately 5°C to help protect against frosty conditions.

On/Off Switch - see Fig. 4a

On the non-timer models the switch operates as follows:

O - The heater is Off

I - The heater operates with heat output as per the heat selection switch.

Note : The above description of the On/Off switch operation is with the turbo neon switch in the off position – see also the 'Turbo Fan model...' section.

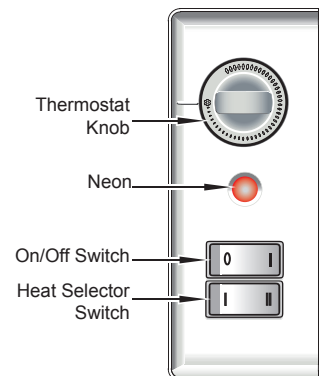


Fig. 4a
Non- Timer Models

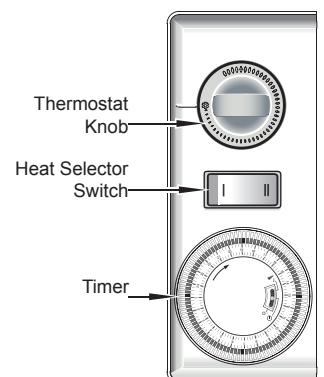


Fig. 4b
Timer Models

Heat Selector Switch - see Fig. 4a and Fig. 4b

Heat selection is available on all models as an economy feature. On all models the switch operates as follows:

- I - The heater operates with low heat output
- II - The heater operates with max. heat output

Mechanical Timer Operation - see Fig. 5

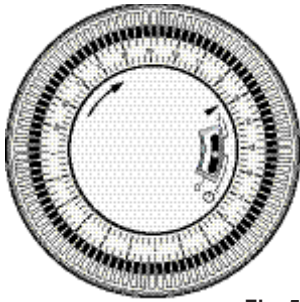


Fig. 5

Set the I - - slide switch on the timer (Fig. 6) to:

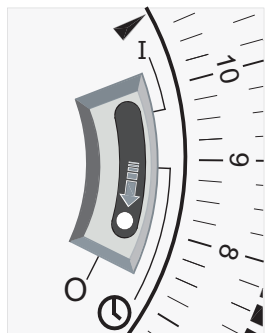


Fig. 6

Position - Heating Off

Position I - Manual operation

This setting allows power to the heater uninterrupted by the timer settings. The heat selector switch and thermostat will control the output (see 'Controls').

Position - 'Auto' operation

DO NOT disconnect this heater from the mains supply unless it is being taken out of use (e.g. in summer or for storage), otherwise the timer clock will stop.

Setting the time of day

To set the time of day, rotate the timer dial clockwise (indicated by the arrow) until the correct time of day is opposite the reference mark (see Fig. 6). The 24-hour clock is used; e.g. time shown for 4 pm is '16' (16:00hrs).

Setting the 'Auto' ON and OFF times

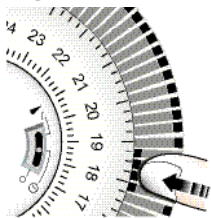


Fig. 7 timer set to switch the heater ON between 9.00am and 4.00pm and between 9.30pm and 7.00am.

To set the timer:

1. Using your finger tip or the tip of a pencil, push in as many segments as necessary around the dial, according to the times you don't require heat – see Fig. 7. Each segment pushed in switches the heater OFF for that part of the hour. All other segments will be ON. For example, Fig. 8 shows the timer set to switch the heater ON between 9.00am and 4.00pm and between 9.30pm and 7.00am.
2. You can select as many ON periods as you like, within the 24-hour day. The settings will repeat every day until changed.
3. To change ON and OFF times, simply push in any 'ON' segments you wish to cancel and pull out new 'ON' segments as required.

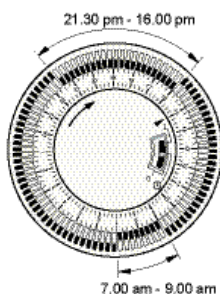


Fig. 8

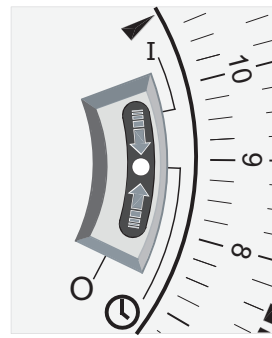


Fig. 9

Switching to auto

Set the heat selector and thermostat for the heat output required.

Check that the clock shows the correct time of day. Set the I - - slide switch to (see Fig. 9) - the heater will switch ON and OFF according to the timer settings (see Fig. 8).

IMPORTANT NOTES

Remember to observe all safety warnings when operating the heater on auto setting unattended or attended.

If the mains supply to the heater is interrupted, the timer clock will stop until power is restored; reset the time of day to ensure correct ON and OFF times.

Turbo Fan models - see Fig. 10



Turbo ON/OFF Neon Switch

Fig. 10

The turbo fan can be used to circulate the heat around the room to help it reach the desired temperature more quickly.

DXC20F & DXC20FTI

To circulate the heat around the room to reach the desired temperature quickly, set the heat selector switch to either the low or high setting and the turbo switch on. In warm weather the fan can be used to circulate cool air. Set the two switches to OFF and the turbo switch to ON, then turn the thermostat knob fully clockwise to the maximum setting.

DXC30F & DXC30FTI

On this model with the I / II switch at position I and the turbo switch in it's Off position (neon off) there is no heat output from the convector. With the I / II switch still in the I position you can have 1kw output but only with the turbo boost On (neon on). To get an output of 2kw leave the turbo switch off and set the I / II switch to position II. (Note 2kw is only possible with turbo Off). To achieve 3kw output now turn on the turbo switch which will combine the 2kW setting with a 1kW fan boost setting to give the total output of 3kw with fan boost.

Note that the fan and the neon on the Turbo switch will cycle on and off under the control of the thermostat – see 'Thermostat'.

Safety – overheat protection

For your safety, this appliance is fitted with a thermal cut-out. In the event that the product overheats, the cut-out switches the heater off automatically. To bring the heater back into operation, remove the cause of the overheating, then unplug or turn off the electrical supply to the heater for a few minutes. When the heater has cooled sufficiently, re-connect and switch on the heater.

Important Notes

Although this heater is manufactured to comply with the relevant safety standards, certain types of carpets could become discoloured by the temperatures under a portable heater. If you are concerned about this, we recommend that you contact the carpet manufacturer for guidance. Alternatively, either stand the heater on a suitable base to shield the carpet or call our Helpline for further advice.

You may notice some parts of the element appearing to be hotter from time to time because of the variable airflow through the heater. This does not cause a safety hazard.

The heat outlet grille may become discoloured with use – this is caused by airborne pollution and is not a fault.

Cleaning and User Maintenance

WARNING – ALWAYS DISCONNECT FROM THE POWER SUPPLY BEFORE CLEANING THE HEATER.

Do not use detergents, abrasive cleaning powder or polish of any kind on the body of the heater.

Allow the heater to cool, then wipe with a dry cloth to remove dust and a damp cloth (not wet) to clean off stains. Be careful not to allow moisture into the heater.

Recycling



For electrical products sold within the European Community. At the end of the electrical products useful life it should not be disposed of with household waste. Please recycle where facilities exist. Check with your Local Authority or retailer for recycling advice in your country.

After Sales Service and Guarantee terms and conditions

Your product is guaranteed for 3 years from the date of purchase. If you experience a problem with our Dimplex product, which is found to be defective due to faulty materials or workmanship within the Guarantee Period, this Dimplex Guarantee will cover repair or - at the discretion of Dimplex- replacement with a functionally equivalent Dimplex product. Within the guarantee period we undertake to repair or exchange this product free of charge providing:

- Proof of purchase such as a sales receipt should be provided, showing that the appliance was bought within the 36-months prior to registering the defect/fault.
- The appliance was correctly installed and operated in accordance with the manufacturer's instructions and used solely for domestic purposes.
- The defect/fault was not as a result of accident, misuse, unauthorised modification or inexpert repair

Your rights under this guarantee are additional to your statutory rights, which in turn are not affected by this guarantee.

If after following these steps your product still does not operate you should return it to your point of purchase. Please do not return a faulty product to us as this may result in loss or damage and delay in providing you with a satisfactory service.

Please retain your receipt as proof of purchase.

What is not covered by a Dimplex Guarantee?

The Dimplex Guarantee does not cover any of the following:

Any fault or damage to your Dimplex product due to faulty materials or workmanship occurring outside the [three year] Guarantee Period.

Normal wear and tear including parts that might wear out over time or consumables, such as [filters].

Any fault or damage occurring to any pre-owned Dimplex product or to any other equipment or property.

Accidental damage to your Dimplex product or damage to your Dimplex product from external sources (for example, transit, weather, electrical outages or power surges).

Fault or damage to your Dimplex product which is:

- not due to faulty materials or workmanship or which is due to circumstances outside Dimplex's control.
- caused by use of your Dimplex product for anything other than normal domestic household purposes in the country where it was purchased.
- caused by any misuse, abuse or negligent use of the Dimplex product, including but not limited to any failure to use it in accordance with the Operating Instructions supplied with the product.
- caused by any failure to assemble, install clean and maintain your Dimplex product in accordance with the Operating Instructions supplied with the product unless this was carried out by Dimplex or its authorised dealers.
- caused by repairs or alterations to your Dimplex product not carried out by Dimplex service personnel or its authorised dealer(s).

Please retain your receipt as proof of purchase.

Terms and Conditions

The Dimplex Guarantee is valid for three calendar years from the date of purchase of your Dimplex product from a recognised retailer in the country of purchase and use, or the date of delivery of the product if later, always provided the original receipt has been retained and is produced as proof of purchase.

You must provide to Dimplex or its authorised agents on request the original receipt as proof of purchase and - if required by Dimplex - proof of delivery. If you are unable to provide this documentation, you will be required to pay for any repair work required.

Any repair work under the Dimplex Guarantee will be carried out by Dimplex or its authorised dealer(s) and any parts that are replaced will become the property of Dimplex. Any repairs performed under the Dimplex Guarantee will not extend the Guarantee Period.

Any replacement of your Dimplex product by Dimplex during the Guarantee Period will start the three-year Guarantee Period afresh from the date of delivery of the replacement Dimplex product to you.

The Dimplex Guarantee does not entitle you to recovery of any indirect or consequential loss or damage including but not limited to loss or damage to any other property.

The Dimplex Guarantee is in addition to your statutory rights as a consumer and your statutory rights are not affected by this Dimplex Guarantee.

Contact Dimplex

If you have any questions about what the Dimplex Guarantee covers and does not cover or how to claim under the Dimplex Guarantee, please contact us:

GDC Group LTD, Millbrook House, Grange Drive, Hedge End, Southampton SO30 2DF

Telephone: 0844 879 3588

Email: customer.services@gdcgroup.co.uk

Visit: www.gdcgroup.co.uk

Model Identifier(s):		DXC20	DXC20Ti	DXC20F	DXC20FTi	DXC30	DXC30Ti	DXC30F	DXC30FTi	
Heat output										
Nominal heat output	Pnom	2.0	2.0	2.0	2.0	3.0	3.0	3.0	3.0	kW
Minimum heat output (indicative)	Pmin	0.8	0.8	0.8	0.8	1.95	1.95	1.95	1.95	kW
Maximum continuous heat output	Pmax,c	2.0	2.0	2.0	2.0	3.0	3.0	3.0	3.0	kW
Auxiliary electricity Consumption										
At nominal heat output	elmax	0.0	0.0	0.0	0.0	0.0	0.0	0.0	0.0	kW
At minimum heat output	elmin	0.0	0.0	0.0	0.0	0.0	0.0	0.0	0.0	kW
In standby mode	eISB	0.0	0.0	0.0	0.0	0.0	0.0	0.0	0.0	kW
Type of heat output/ room temperature control										
With mechanical thermostat room temperature control										Yes
Contact details	GDHV, Millbrook House, Grange Drive, Hedge End, Southampton, SO30 2DF									



The product complies with the European Safety Standards EN60335:2-30 and the European Standard Electromagnetic Compatibility (EMC) EN55014:1, EN55014:2, EN61000:3-2 and EN61000:3-3 which cover the essential requirements of EMC Directive 2014/30/EU and the LVD Directive 2014/35/EU.