

# ALPHA

## AUDIO

### ACCESS CONTROL SYSTEMS

## INSTALLATION INSTRUCTIONS



ISSUE : 001/UK

REF : ALPHA\_AS.PPP

#### MAIN FEATURES

**DOOR PANEL TYPES** - Aluminium, S/Steel & Polished Brass  
**HIGH QUALITY AMPLIFIER** - Individual volume & buzzer controls  
**LOW PROFILE SURFACE MOUNTING BOX** - Only 30mm deep  
**REVOLUTIONARY PHONE** - With tone generated buzzer  
**CALL TONE CONTROL** - Allows volume adjustment of call tone  
**ADDITIONAL VOLT FREE BUTTON** - Allows connection to gates  
**POWER SUPPLY** - May be either a simple 12VAC or DC input

#### TECHNICAL SPECIFICATION

**Amplifier Power** ... .. 12V AC/DC 50mA  
**Amplifier Speaker** ... .. 50mm dia. 8ohms 0.25w  
**Amplifier Microphone** ... .. 10mm dia. electret microphone  
**Handset Speaker** ... .. 50mm dia. 8ohms 0.25w  
**Handset Microphone** ... .. 50mm dia. carbon microphone  
**Door Panel to Handset** .. .. Typ. cable run 100M (8 wire)

#### SYSTEM DESIGN

ALPHA Audio Access Systems are a low cost but fully featured family of products that can be used in either simple single door applications, multiple apartment systems or multiple office situations. They can be combined with any of the DECA Digital, Mag Swipe Card or Proximity Tag access systems to provide control for single doors or more complex multiple door installations.

All of the items needed to install a working access control system are included in the kit, with the exception of the latch lock (see Notes). Any of the DECA Access systems (Digital, Mag Swipe or Proximity) can be connected to the DECA Printer Interface to provide an audit trail of entry events.

#### OVERVIEW & INSTALLATION INSTRUCTIONS

The ALPHA Audio Entry System is a simple to install door entry system allowing audio communication and remote operation of the door release to provide entry for unauthorized personnel.

##### EQUIPMENT

The audio system is normally supplied in kit form containing a door panel for mounting outside the door, wall mounted telephone handsets as required, and a standard surface fitting lock release.

##### SYSTEM OPERATION

The visitor presses the button on the door panel to activate a call tone at the handset, two way communication enables identification. Access is allowed with the release button.

##### TELEPHONE HANDSET

To release the telephone cover remove the handset from its cradle, press in the clips on each side and slide down.

##### ADDITIONAL PUSH BUTTON

The telephone handset has a volt free, (N/O) push button, with a "star" symbol, terminals "L & L", allowing connection to other access control systems or automatic gates etc.

##### AMPLIFIER

The amplifier has two volume controls marked "PHONE"

and "DOOR". These controls should be adjusted with a small screwdriver or a pot trimmer to give the maximum volume without feed back (ie. High pitched whistle or echo in the ear piece) when the handset is in use, lifted or replaced.

##### POWER SUPPLY

The audio system is powered by the 12VAC PSU supplied in the kit.

##### LOCK RELEASE

The lock release is a 12V surface fitting failsecure unit supplied in the installation kit, for an inward opening wooden door fitted with a surface latch lock.

#### INSTALLATION INSTRUCTIONS

##### DOOR PANEL

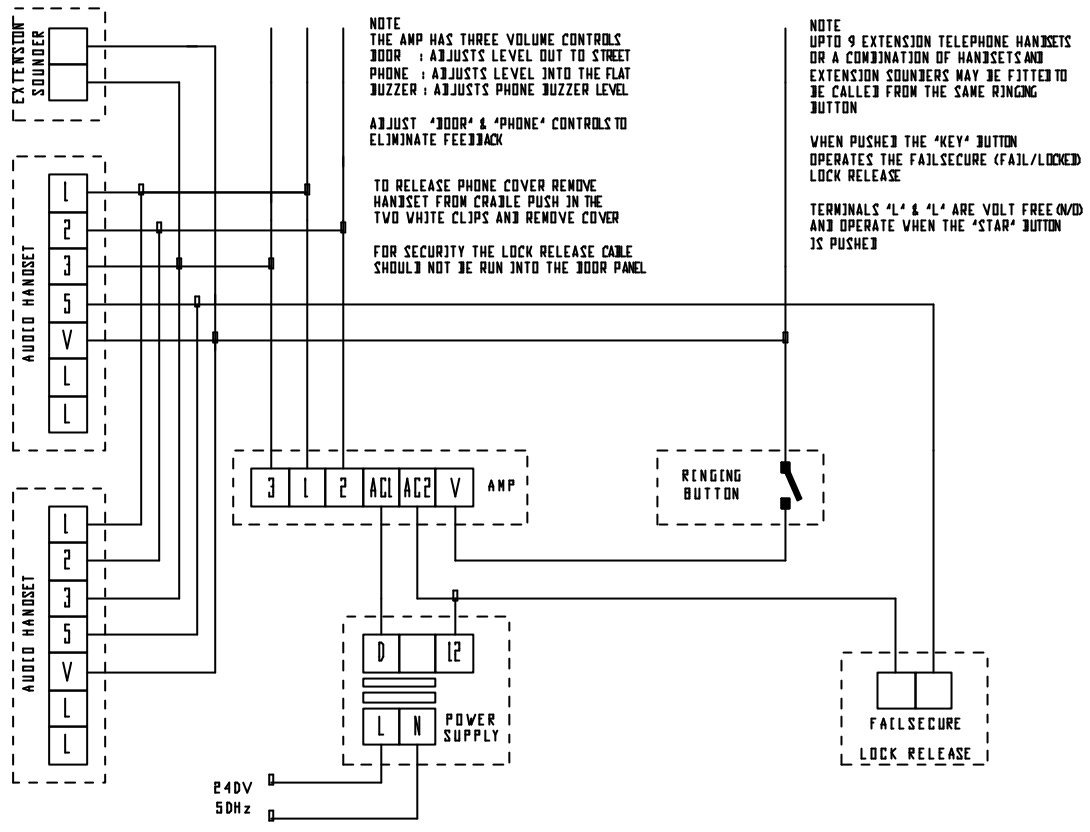
Install on the unsecure side of the door adjacent to the door frame, if external fit a weather shield and seal between the weather shield and wall. Adjust the volume and buzzer controls to the required level.

##### TELEPHONE HANDSET

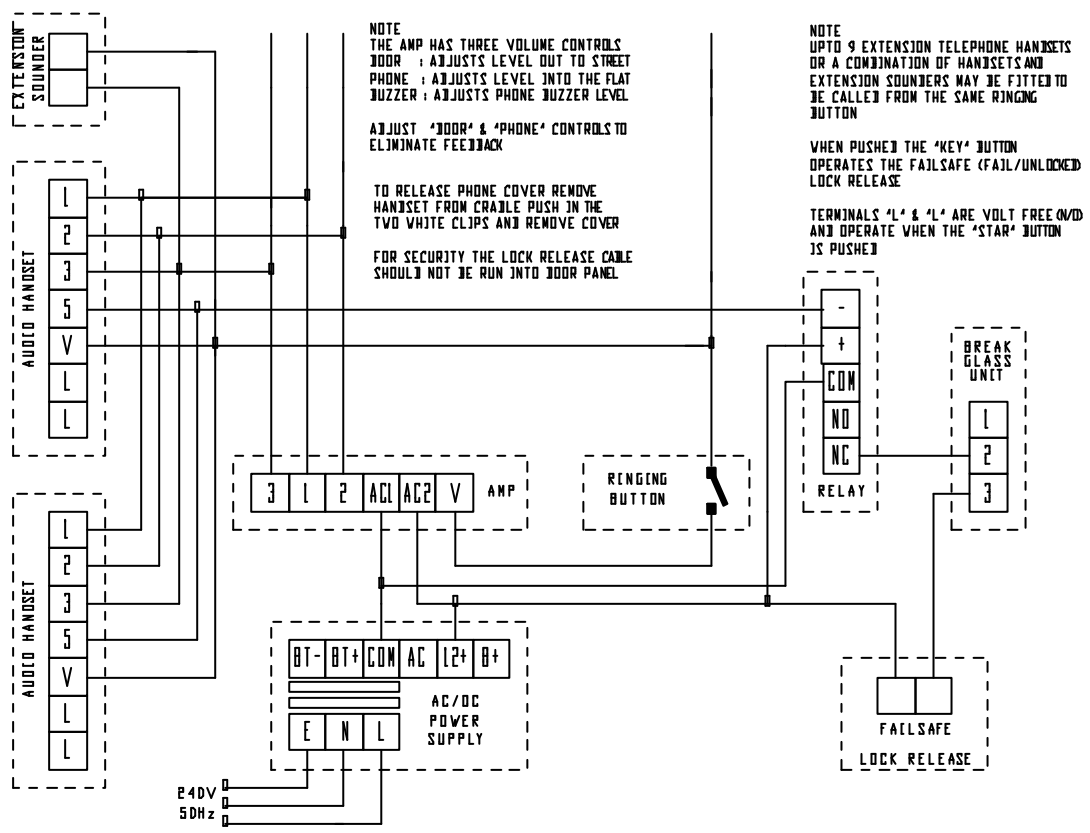
Install on the secure side internally wall mounted.

##### POWER SUPPLY

Install on the secure side, fed via a 5amp 240VAC supply.



(1) 12VAC PSU, ONE BUTTON DOOR PANEL, FAILSECURE (F/LOCKED) 12V RELEASE, 1 HANDSET & EXTENSION SOUNDER

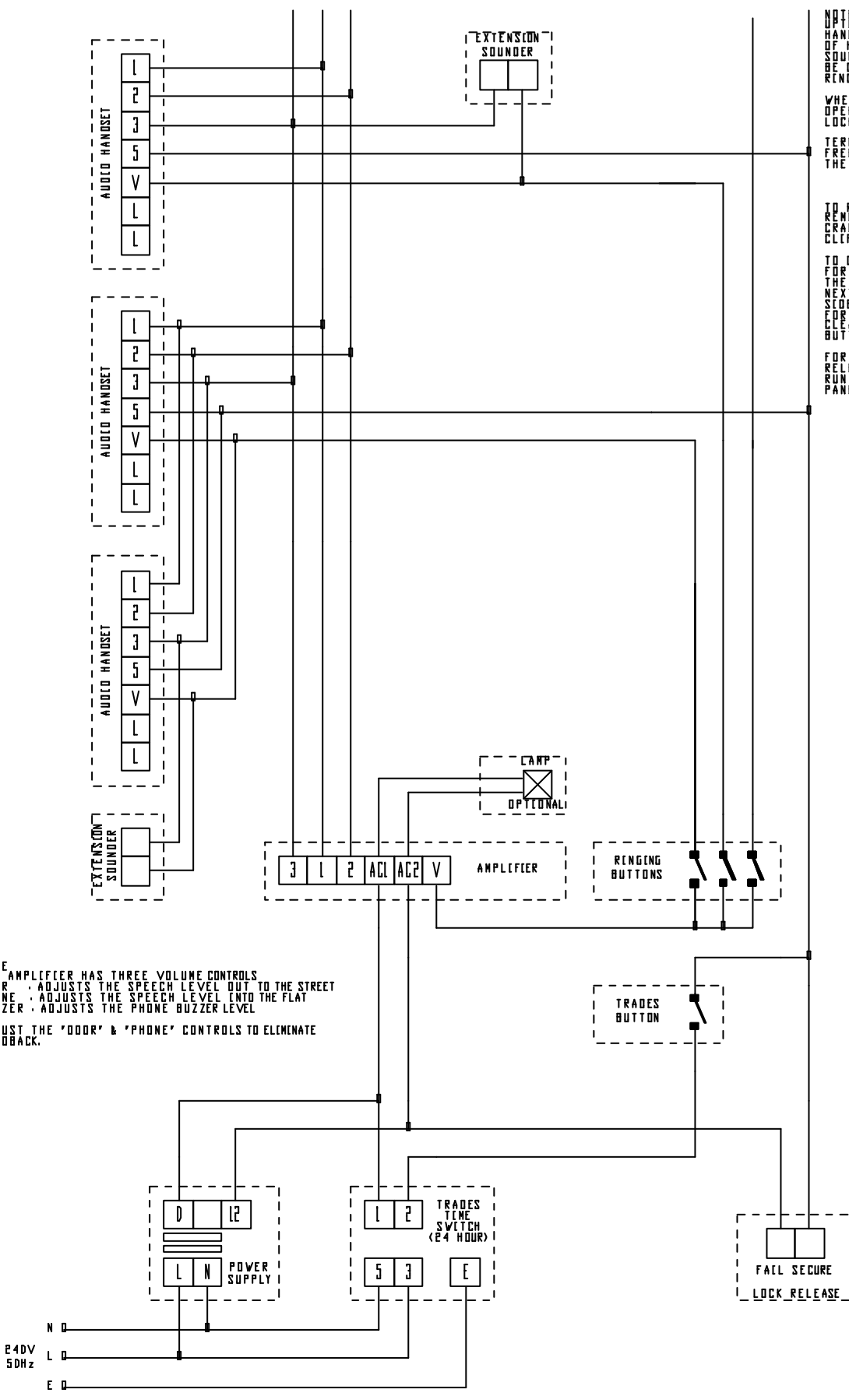


(2) 12VAC/DC PSU, 1 BUT PAN, F/SEC (F/LOCKED) 12V REL, RELAY, 1/GLASS, PHONES & E/SOUNDER

DATE 20-6-1999  
ISSUE D02  
DRAWN KGJ

ALPHA AUDIO  
ACCESS CONTROL SYSTEM  
(1) 12VAC PSU, 1 BUTT PANEL, F/SEC (F/LOCKED) 12V REL, 1 PHON & E/SOUNDER  
(2) 12VAC/DC PSU, 1 BUT PAN, F/SEC (F/LOCKED) 12V REL, RELAY, 1/GLASS, PHONES & E/SOUNDER

DRAWING NUMBER  
ALPHA-A  
040\_029



NOTE  
 UP TO 10 EXTENSION TELEPHONE  
 HANDSETS OR A COMBINATION  
 OF HANDSETS & EXTENSION  
 SOUNDERS MAY BE FITTED TO  
 BE CALLED FROM THE SAME  
 RINGING BUTTON.

WHEN PUSHED THE 'KEY' BUTTON  
 OPERATES THE FAIL SECURE  
 LOCK RELEASE.

TERMINALS 'L' & 'L' ARE VOLT  
 FREE (N/O) AND OPERATE WHEN  
 THE 'STAR' BUTTON IS PUSHED.

TO RELEASE THE PHONE COVER  
 REMOVE THE HANDSET FROM THE  
 CRADLE PUSH IN THE TWO WHITE  
 CLIPS AND REMOVE THE COVER.

TO INSERT NAME TAGS:  
 FOR SINGLE BUTTONS PRESS IN  
 THE CORNER OF THE NAME PLATE  
 NEXT TO THE BUTTON AND SLIDE  
 SIDEWAYS.  
 FOR DOUBLE BUTTONS UNCLIP THE  
 CLEAR LENS COVER FROM THE  
 BUTTON.

FOR SECURITY REASONS THE LOCK  
 RELEASE CABLE SHOULD NOT BE  
 RUN DIRECTLY INTO THE DOOR  
 PANEL.

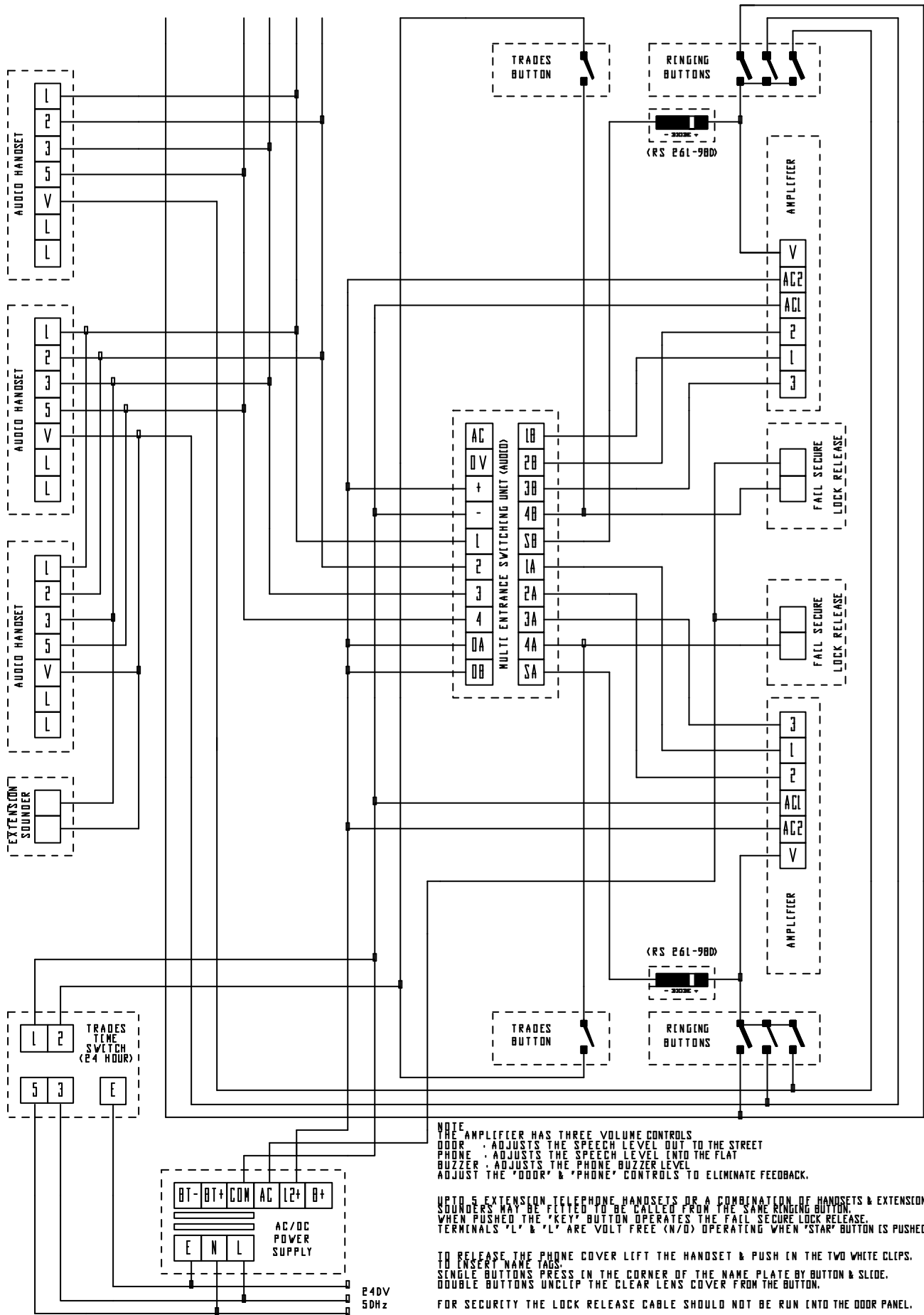
NOTE  
 THE AMPLIFIER HAS THREE VOLUME CONTROLS  
 DOOR : ADJUSTS THE SPEECH LEVEL OUT TO THE STREET  
 PHONE : ADJUSTS THE SPEECH LEVEL INTO THE FLAT  
 BUZZER : ADJUSTS THE PHONE BUZZER LEVEL

ADJUST THE 'DOOR' & 'PHONE' CONTROLS TO ELIMINATE  
 FEEDBACK.

DATE 23-11-1995  
 ISSUE 001  
 DRAWN KGJ

ALPHA AUDIO  
 ACCESS CONTROL SYSTEM  
 AUDIO DOOR SYSTEM WITH MULTIPLE BUTTON DOOR PANEL, 24 HOUR TRADEMENS FACILITY  
 LEVAC PSU, FAILSECURE LEVAC RELEASE, SINGLE TELEPHONE HANDSET PER FLAT  
 PLUS  
 EXTENSION TELEPHONE HANDSETS, EXTENSION SOUNDERS & OPTIONAL LAMP.

DRAWING NUMBER  
 ALPHA-A  
 040\_002



NOTE  
 THE AMPLIFIER HAS THREE VOLUME CONTROLS  
 DOOR : ADJUSTS THE SPEECH LEVEL OUT TO THE STREET  
 PHONE : ADJUSTS THE SPEECH LEVEL INTO THE FLAT  
 BUZZER : ADJUSTS THE PHONE BUZZER LEVEL  
 ADJUST THE 'DOOR' & 'PHONE' CONTROLS TO ELIMINATE FEEDBACK.

UPTO 5 EXTENSION TELEPHONE HANDSETS OR A COMBINATION OF HANDSETS & EXTENSION SOUNDERS MAY BE 'FLIPPED' TO BE CALLED FROM THE SAME RINGING UNIT.  
 WHEN PUSHED THE 'KEY' BUTTON OPERATES THE FALL SECURE LOCK RELEASE.  
 TERMINALS 'L' & 'L' ARE VOLT FREE (N/D) OPERATING WHEN 'STAR' BUTTON IS PUSHED.

TO RELEASE THE PHONE COVER LIFT THE HANDSET & PUSH IN THE TWO WHITE CLIPS.  
 TO INSERT NAME TAGS.  
 SINGLE BUTTONS PRESS IN THE CORNER OF THE NAME PLATE BY BUTTON & SLIDE.  
 DOUBLE BUTTONS UNCLIP THE CLEAR LENS COVER FROM THE BUTTON.

FOR SECURITY THE LOCK RELEASE CABLE SHOULD NOT BE RUN INTO THE DOOR PANEL.

DATE 4-1-1995  
 ISSUE D01  
 DRAWN KGJ

ALPHA AUDIO  
 ACCESS CONTROL SYSTEM  
 TWO ENTRANCE AUDIO DOOR SYSTEM WITH MULTIPLE BUTTON DOOR PANELS. 24 HOUR TRADEMENS FACILITY. LEVAC/DC PSU. FALL SECURE LEVAC RELEASES. SINGLE TELEPHONE HANDSET PER FLAT. PLUS  
 EXTENSION TELEPHONE HANDSETS & EXTENSION SOUNDERS.

DRAWING NUMBER  
 ALPHA-A  
 040\_003