



SPARE PARTS LISTING SHEET FOR

1500W 230V 125mm Wall Chaser

Stock No.30818

Part No.WC1500

KEY No.	PART No.	STOCK No.	DESCRIPTION
1	YWC1500-01	02173	Screw
2	YWC1500-02	02174	Gear box
3	YWC1500-03	02175	Circlip
4	YWC1500-04	02176	Spring
5	YWC1500-05	02177	Locking switch
6	YWC1500-06	02178	Bearing board
7	YWC1500-07	02179	Hex. nut M8
8	YWC1500-08	02180	Washer
9	YWC1500-09	08181	Screw
10	YWC1500-10	02182	Pinion
11	YWC1500-11	02183	Bearing
12	YWC1500-12	02184	Rotor
13	YWC1500-13	02185	Fan guide
14	YWC1500-14	02186	Screw
15	YWC1500-15	02187	Stator
16	YWC1500-16	02188	Magnet
28	YWC1500-28	02200	PCB
17	YWC1500-17	02189	Bearing
18	YWC1500-18	02190	Bearing seat
19	YWC1500-19	02191	Enclosure
20	YWC1500-20	02192	Trigger
21	YWC1500-21	02193	Locking button
22	YWC1500-22	02194	Spring
23	YWC1500-23	02195	Switch
24	YWC1500-24	02196	Capacitor
25	YWC1500-25	02197	Handle(right)
26	YWC1500-26	02198	Screw
27	YWC1500-27	02199	Screw
29	YWC1500-29	02201	Brush holder
30	YWC1500-30	02202	Carbon brush
31	YWC1500-31	02203	Brush holder cap
32	YWC1500-32	02204	Hex. bolt
33	YWC1500-33	02205	Washer
34	YWC1500-34	02206	Screw
35	YWC1500-35	02207	Cable pressing board

KEY No.	PART No.	STOCK No.	DESCRIPTION
36	YWC1500-36	02208	Cable sleeve
37	YWC1500-37	02209	Cable & plug
38	YWC1500-38	02210	Handle (left)
39	YWC1500-39	02211	Dust outlet
40	YWC1500-40	02212	Hex. bolt
41	YWC1500-41	02213	Flat washer
42	YWC1500-42	02214	Spring washer
43	YWC1500-43	02215	Hex. screw
44	YWC1500-44	02216	Cover
45	YWC1500-45	02217	Knob
46	YWC1500-46	02218	Locking cap
47	YWC1500-47	02219	Ruler
48	YWC1500-48	02220	Hex. bolt
49	YWC1500-49	02221	Handle
50	YWC1500-50	02222	Hex. bolt
51	YWC1500-51	02223	Outer guard
52	YWC1500-52	02224	Active guard
53	YWC1500-53	02225	Shaft
54	YWC1500-54	02226	Washer
55	YWC1500-55	02227	Pin
56	YWC1500-56	02228	Roller
57	YWC1500-57	02229	Screw
58	YWC1500-58	02230	Inner guard
59	YWC1500-59	02231	Inner flange
60			Cutting disc
61	YWC1500-61	02232	Flange
62	YWC1500-62	02233	Flange
63	YWC1500-63	02234	Upper flange
64	YWC1500-64	02235	Output shaft
65	YWC1500-65	02236	Key
66	YWC1500-66	02237	Screw
67	YWC1500-67	02238	Spring washer
68	YWC1500-68	02239	Washer
69	YWC1500-69	02240	Front cover
70	YWC1500-70	02241	Oil seal

Helpline: (023) 8049 4344. Sales Desk: (023) 8049 4333. General Enquiries: (023) 8026 6355.

DRAPER TOOLS LTD, HURSLEY ROAD, CHANDLER'S FORD, EASTLEIGH, HANTS. SO53 1YF. U.K. internet: www.draper.co.uk e-mail: sales@drapertools.com

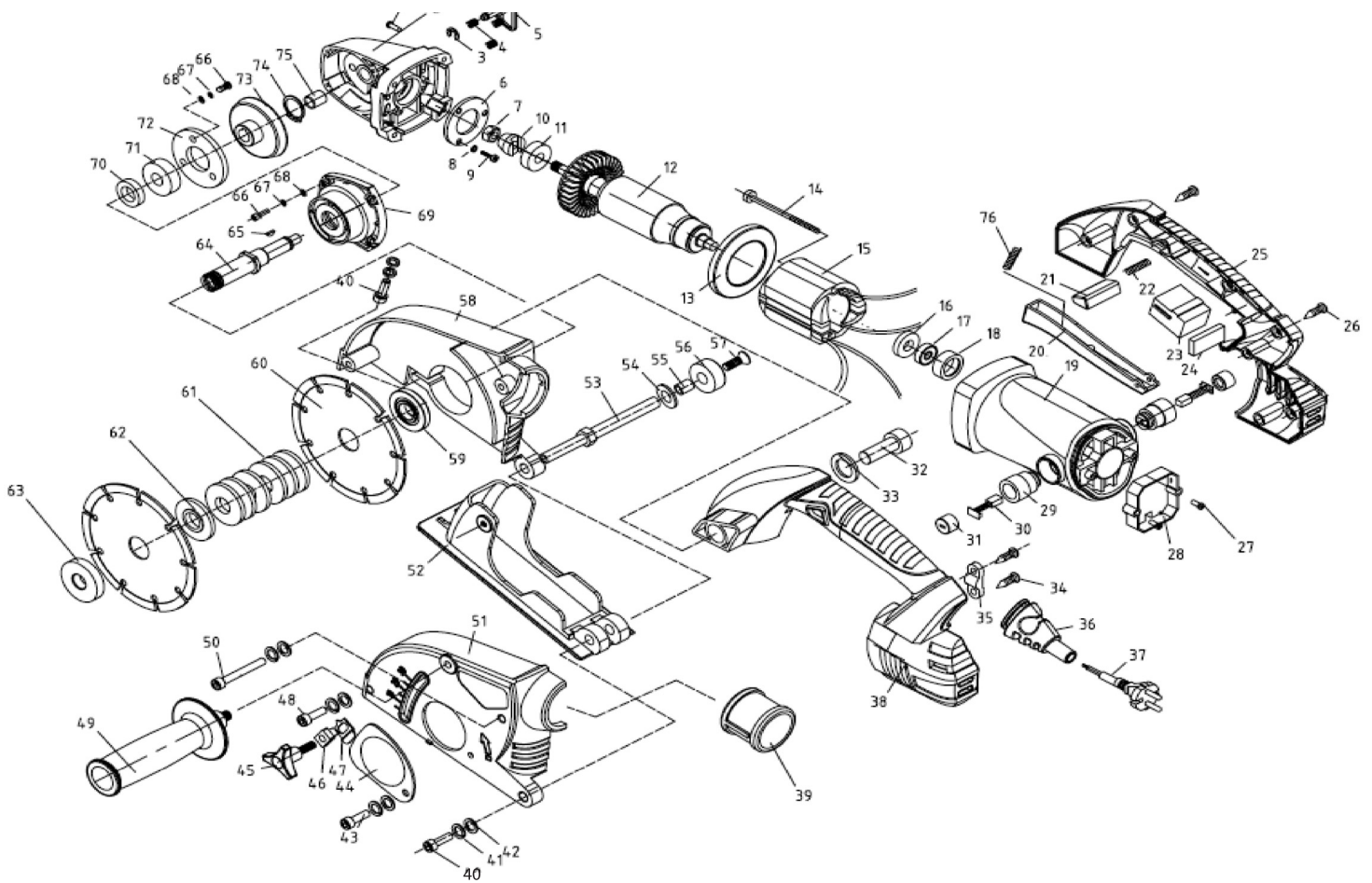


SPARE PARTS DRAWING SHEET FOR

1500W 230V 125mm Wall Chaser

Stock No.30818

Part No.WC1500



KEY No.	PART No.	STOCK No.	DESCRIPTION
71	YWC1500-71	02242	Bearing
72	YWC1500-72	02243	Bearing pressing board
73	YWC1500-73	02244	Gear

KEY No.	PART No.	STOCK No.	DESCRIPTION
74	YWC1500-74	02245	Circlip
75	YWC1500-75	02246	Bearing
76	YWC1500-76	02947	Spring

Helpline: (023) 8049 4344. Sales Desk: (023) 8049 4333. General Enquiries: (023) 8026 6355.

DRAPER TOOLS LTD, HURSLEY ROAD, CHANDLER'S FORD, EASTLEIGH, HANTS. SO53 1YF. U.K. internet: www.draper.co.uk e-mail: sales@drapertools.com