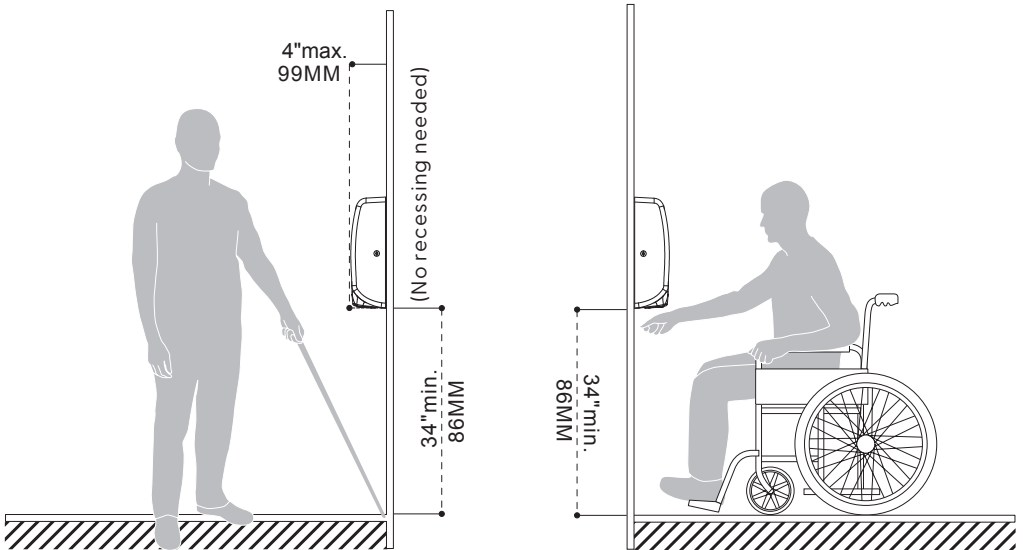
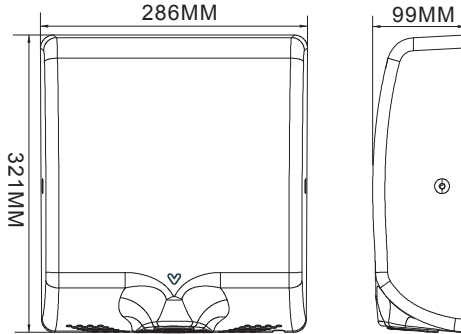


Vega 4 User Manual



Everything Hand Dryers®

1. WARNING

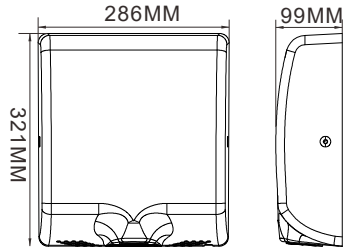
- . This product is intended for installation by a qualified service person.
- . Disconnect power at the service breaker before installing or serving.
- . Failure to properly ground unit could result in severe electrical shock.
- . All units must be supplied with a 3-wire service. The ground wire must be connected to the dryer's backplate.

3. SPECIFICATION

Voltage:	220V-240V 50/60Hz,1000W
Air Temperature:	35°C(D=10CM,Room Temp.=25°C)
Air Velocity:	100M/S
Air Flow:	130M ³ /H
Drying Time:	12S
Sensor Range:	5-15CM
Protection Level:	IPX1
Electric Isolation:	CLASS 1
Brush Motor:	30000RPM
Noise(at 1M):	70dB
Cabinet Material:	Stainless Steel 304

2. NOTE

Do not install dryer over washbasin. If the power supply cord is damaged, it must be replaced by the manufacturer or its service agent or similar qualified person in order to avoid a hazard. Means for disconnection must be incorporated in the fixed wiring in accordance with the current wiring regulations.



4. INSTALLATION

1. Installation must be carried out in accordance with the current edition of the local wiring regulations code having jurisdiction. Installation should be performed only by a qualified electrician.
2. Place template against wall at desired height(see mounting height recommendations) and mark locations of 4 mounting holes Dia. 8mm(5/16").
3. Remove and retain 2 side security hex cover screws and cover. Then mount the hand dryer base on the wall.
4. Before replacing cover, there is an option to run dryer heater on(1000W) or heater off(600W). The switch is clearly marked. Replace cover. Do not over-tighten screws.
5. Connect the hand dryer plug to the power supply.
6. If hand dryer is supplied in hard wired:
 - a. Connect the live wire(Coloured Brown, Red, or Black) to the terminal block marked "L".
 - b. Connect the neutral wire(Coloured Black, Blue) to the terminal block marked "N".
 - c. Connect the ground wire(Coloured Green or Yellow) to the terminal block marked "E".
7. It is proposed to move the HEPA filter if needed when does installation.

5. OPERATION

- No-touch operation.
- There is a blue LED light to guide user to the air flow.
- Shake excess water from hands.
- Place hands under the outlet to start operation.
- Rub hands lightly and rapidly. Stops automatically after hands are removed.

6. MAINTENANCE

- Periodic cleaning of the unit is recommended.
- Remove cover and clean dryer dust lint.
- Wipe the cover with a damp cloth and mild cleaning solution. Do not soak.
- Never use abrasives to clean the cover.

7. PACKING LIST

Hand Dryer: 1PC
User Manual: 1PC Installation
Template: 1PC Plug in Dia.:
8×38mm: 4PCS Screw in Dia.:
5×36MM: 4PCS HEX Screwdriver:
1PC Rubber grommet: 4PCS

8. DIAGNOSTICS & REMEDIES

SYMPTOM	CORRECTIVE ACTION
Hand dryer fails to start	Ensure the breaker supplying the dryer is operational. If it is, disconnect the power and remove the hand dryer cover. Check all the wire connection to sure they are well fixed. Turn on power and if it does not work then replace circuit board. Turn motor blower several times by hand to see it is blocked.
Hand dryer turns on/off erratically or not sensitive enough	Ensure that there is no obstruction on or in front of the infrared sensor zone. Clean any dirty off the sensor lens. Try adjusting the sensitivity potentiometer on program board. If not still not work, replace circuit board and sensor board.
Not hot air	Check if the heat element switch is power on. Check if the heat element was broken. If yes, replace a new one.
Hand dryer makes ticking noise	Check the motor brush worn condition. Replace them or a new motor.

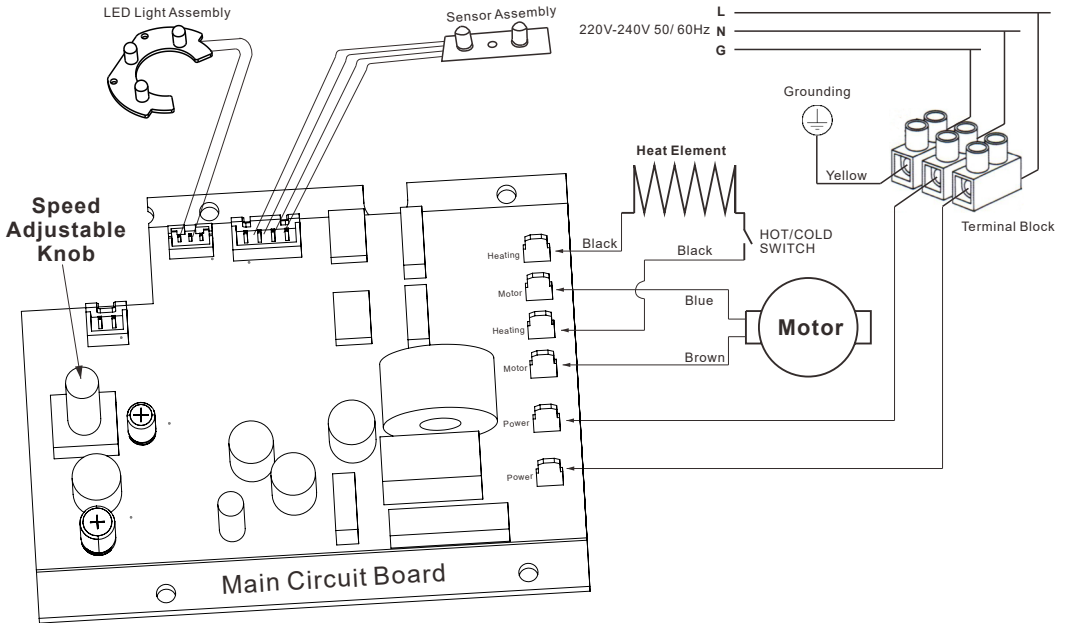
9. HEPA CLEAN & REPLACEMENT

The service life of a HEPA filter depends on the environment in which the dryer is installed and frequency of use. High traffic washrooms or high usage will require more frequent inspection and replacement of the HEPA filter. The HEPA filter should be inspected at least four times per year in washrooms with light to moderate traffic and normal environments. In environments with excessive, dust and debris or in washrooms with high traffic, inspection of the HEPA filter is recommended on a monthly basis. When visual inspection of the HEPA filter shows excessive buildup of lint, dust and debris, the filter should be replaced.

Examining and changing a HEPA filter regularly keeps hand dryers working efficiently. Operating a hand dryer with an excessively dirty or clogged filter can damage your machine. The HEPA filter cannot be cleaned and re-used. Do not clean the HEPA filter or allow it to come into contact with water.

The hand dryer is also workable with Coarse Particulate Filter. The dryer has a coarse particulate air filter to prevent lint and debris build up that can damage the motor and heating element. Routine replacement or cleaning of the air filter is needed to maintain the dryer in good operating condition. With light to moderate wash room traffic, replacing or cleaning the air filter once a year is recommended. If the wash room traffic is high, the air filter should be replaced or cleaned every 6 months.

11. DIAGRAM FIXED SPEED ADJUSTABLE CIRCUIT BOARD



12. DIAGRAM FIXED CIRCUIT BOARD WITHOUT SPEED ADJUSTABLE

