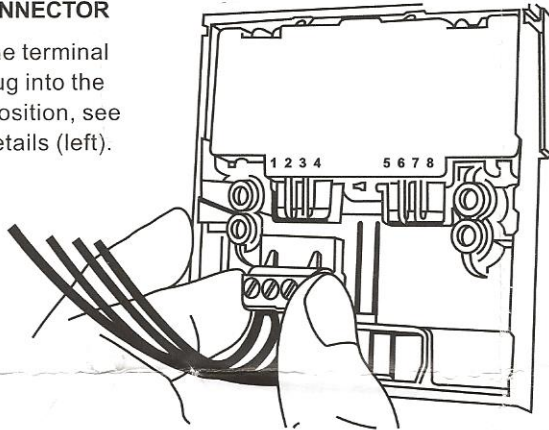


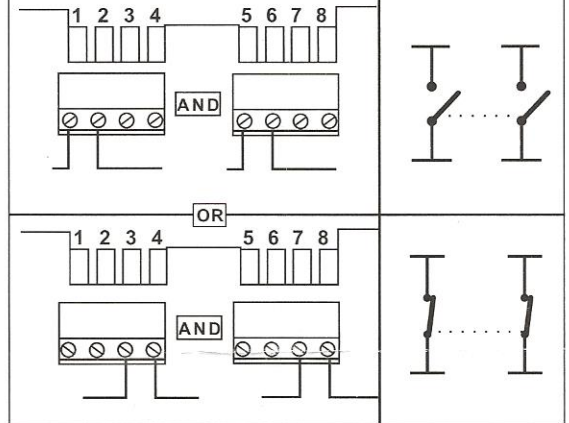
INSTALLATION INSTRUCTIONS FOR THE MANUAL CALL POINT

PUSH FIT CONNECTOR

After wiring the terminal connector, plug into the appropriate position, see connection details (left).



CONNECTION DETAILS



TECHNICAL DATA



30VDC Max



-30° C to 70° C



Important Notes:
Please do not over tighten fixing screws. The use of lubricants, cleaning solvents or petroleum based products should be avoided.



2A Max



Red, Ral 3001
Yellow, Ral 1006
Green, Ral 6016
White, Ral 9010
Blue, Ral 5002

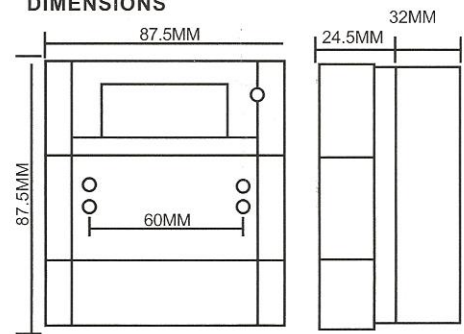


IP24D



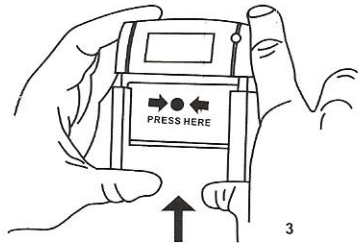
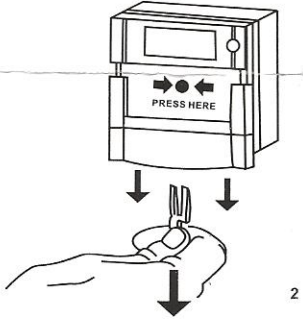
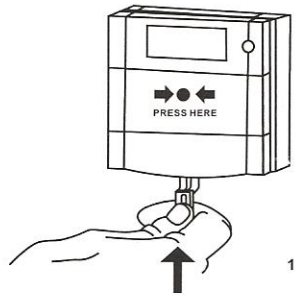
110/160g

DIMENSIONS



INSTALLATION INSTRUCTIONS FOR THE MANUAL CALL POINT

TO TEST / TO RESET



TO REPLACE GLASS / RESETTABLE ELEMENT

