

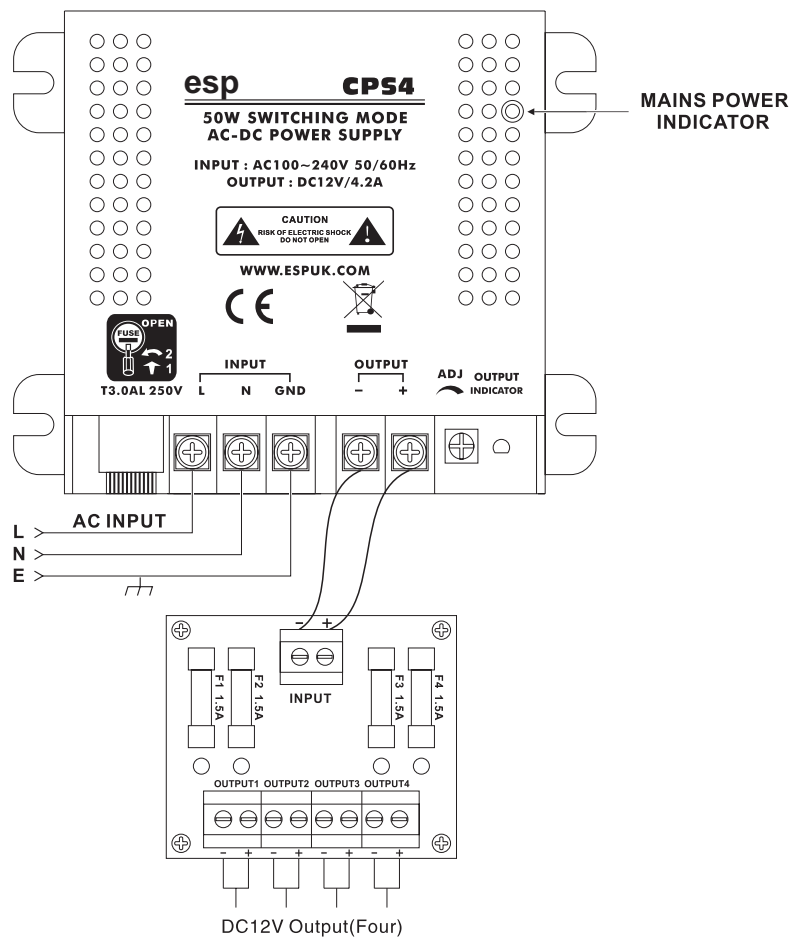
# CPS4

Multi Output CCTV Power Supply

## Overview:

The CPS4 is a Switching Power Supply that converts a 100VAC~240VAC (50/60Hz) input to a 4.2 Amp of continuous supply current at 12VDC distributed via 4 fuse protected power limited output.

## Diagram:



**Note : Total maximum power loading not over 4.2Amp at 12VDC**

12VDC power limited output
4amp supply current
4 fuse protected output
100VAC-240VAC (50/60Hz) universal input
Filtered and electronically regulated output
Short circuit and mal overload protection
AC input and DC output LED indicators
Dimensions (mm) : 152(W) x 250(H) x 68(D)

For further assistance: technical 01527 51 51 45 fax 01527 51 51 44

E-mail via our website

www.espuke.com