

GuardCam^{RF}

Combined security camera floodlight system
with remote signalling capability



IMPORTANT NOTES - PLEASE READ

The requirement to install back up batteries has now been removed from the latest version of GuardCam. Time and date settings will now be maintained during mains power outages for a minimum of 72 hours.

The minimum requirements of a PC / Laptop required to provide accurate reading and re-writing of an SD card used within the GuardCam is as follows:

CPU	Minimum 1GB
RAM	Minimum 2GB
OS	Windows 2000 / XP / Vista / 7
SD card	Must have a capacity of 2GB or higher (maximum 64GB)

Formatting the SD card

- It is good practice to Format the SD card using the PC / Laptop you intend to use for viewing captured images each time any of the following events occur
- After a mains power removal from the GuardCam
- When changing the selected image capture option from Video to photo
- When changing the selected image capture option from photo to video
- After removing the SD card for viewing prior to replacing in the GuardCam

To format the SD card

Please ensure to save any required images to an alternative folder prior to formatting.

- Place it in the SD / USB adaptor supplied
- Place the adaptor in a spare USB port on your PC / Laptop
- Right click on the SD card location
- Select Format
- Ensure the correct file system is selected FAT16 (or FAT) for SD and FAT32 for SDHC
- Select quick format

Following these simple points will ensure correct operation of GuardCam and should be considered as part of its maintenance schedule.

Table of contents

- Contents of package 3
- GuardCam Motion Light with Video Camera 4
- Step 1 - Assembly 4
- Step 2 - Insert/remove SD Card 5
- Step 3 - Installing the GuardCam 5
- Step 4 - Mounting the GuardCam 6
- Step 5 - Adjusting the settings 7
- Step 6 - Setting the Date and Time and Video Mode 9
- Step 7 - RF Trigger Settings 10
- Step 8 - Viewing Video 10
- Step 9 - Installing the Driver on your computer 10
- Technical Specifications 11
- General Information and Safety 12

Contents of package



GuardCam Motion Light with Video Camera



User Manual
Driver Disk



1m USB Cable
230W grade C halogen lamp



1 x Allen key
2 x screws
2 x plastic masonry plugs

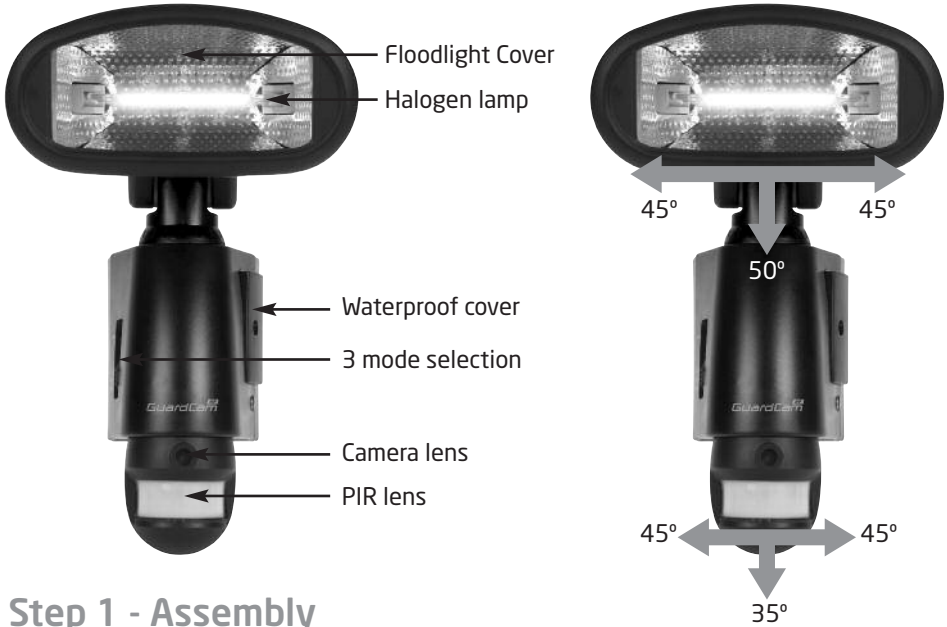


2GB SD card and



SD USB card reader

GuardCam Motion Light with Video Camera overview



Step 1 - Assembly

Install/replace the halogen lamp (see Fig. 1)

- Make sure to turn off power first.
- Remove floodlight cover by unscrewing floodlight screws using a Phillips head screw driver.
- Never handle a halogen lamp with bare fingers as this could dramatically reduce the life of the lamp.
- Put in new Grade C 230 Watt halogen lamp.
- Replace floodlight cover tightening screws carefully.

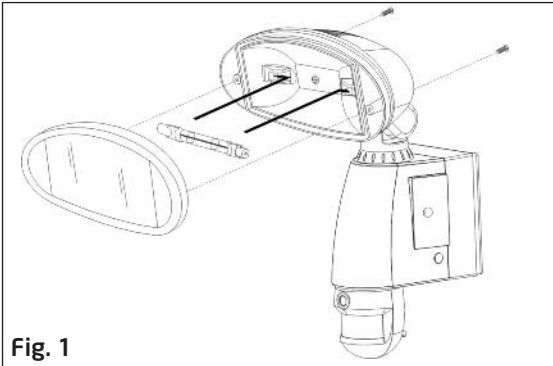
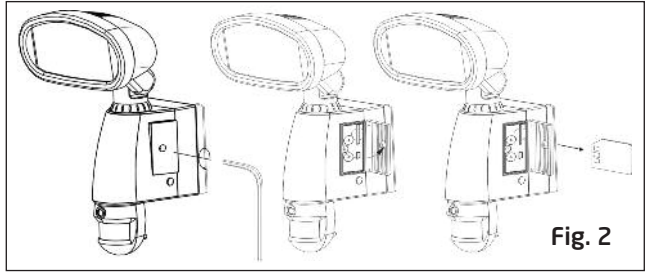


Fig. 1

Step 2 - Insert/remove SD card (see Fig. 2)

- Unscrew the waterproofed cover using provided Allen key, then insert the SD card until it automatically locks into place.
- If you need to remove the SD card, please press OFF button and take it out within 30 seconds.
- When LED light turns green, meaning SD card is being read, do not remove SD card or data may be lost.
- To remove SD card, push in SD card to eject. Once to unlock then pull out.



Step 3 - Installing the GuardCam

IMPORTANT - IF IN ANY DOUBT ABOUT THE INSTALLATION OF THIS PRODUCT, CONSULT A QUALIFIED ELECTRICIAN

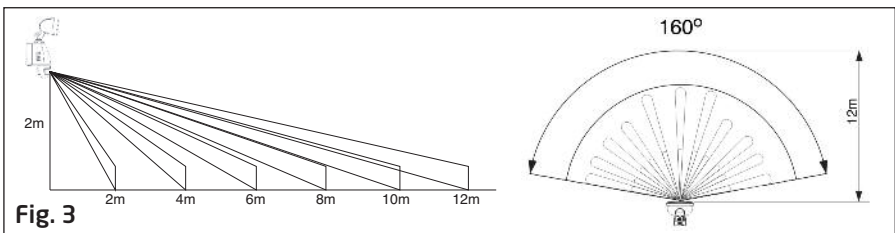
- This product must be earthed
- Do not mount the unit against inflammable surfaces
- The motion detector will not operate correctly if it is installed:
 - Near the outlet of a central heating boiler or near air conditioning plant
 - Pointing directly at moving vehicles
 - Within sight of reflections from moving water
 - Where other lamps could shine on the detector

BEFORE ATTEMPTING ANY INSTALLATION OR MAINTENANCE, ENSURE THAT THE ELECTRICAL SUPPLY IS SWITCHED OFF AND THE CIRCUIT FUSES REMOVED OR THE CIRCUIT BREAKER IS IN THE OFF POSITION.

Please make sure the voltage and polarity are correct before connection. Incorrect voltage may cause electric shock. If you are not sure, please contact your retailer.

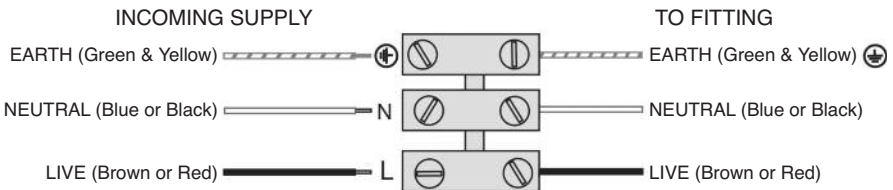
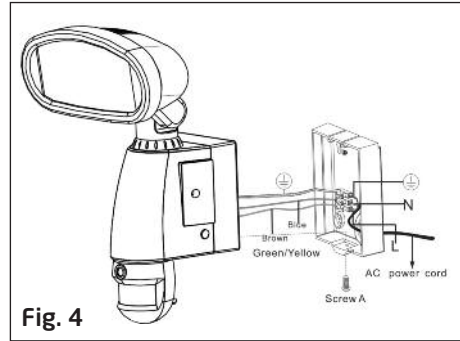
Note: It is recommend to mount GuardCam 2M above the ground for optimum performance, do not mount the fixture below 1.2M. See Fig. 3 for details of performance range.

Detection range: 12M x 160° (see Fig. 3)

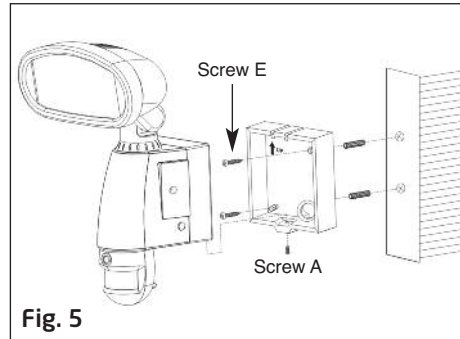


Step 4 - Mounting your GuardCam (see Fig. 4 & Fig. 5)

1. Place plastic masonry plugs into desired surface aligning holes as shown below. Using an electric screwdriver, fasten mounting plate directly to surface using screws E.
2. Feed the cable through the back mounting box and bush the cable entry to avoid abrasion to the cable.
3. Wire the unit as follows: (Ensure all wires are connected securely and that no loose strands are exposed)



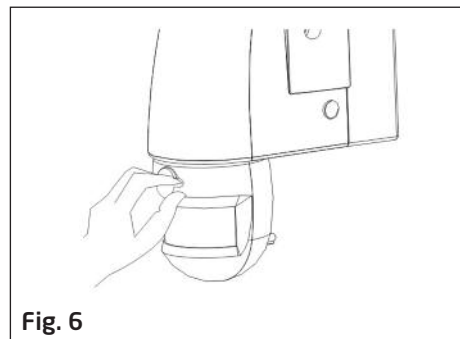
4. Make sure the polarity is correct. Double check the connections after wiring. Errors may damage the motion sensor or cause a fire hazard.
5. Attach the unit to the mounting plate. You will first need to angle the unit back so that the catch at the top of the mounting plate fits into slot on the back of the unit. Next lower the unit until holes at the bottom of the mounting plate and unit are flush. Then screw (screw A) into this hole, tightening carefully.



Please allow 1 minute warm-up time after switching on.

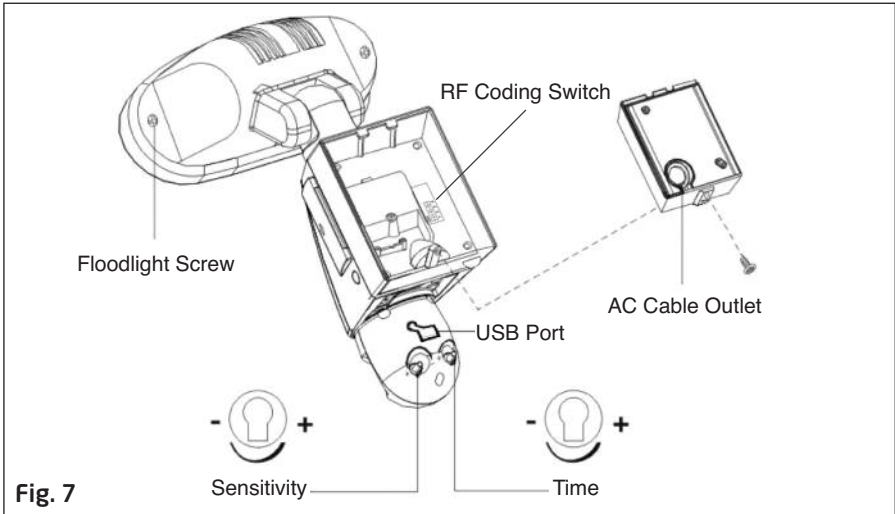
- **Push the RESET button after switching on.**

Remove plastic lens cover from camera after installation. (see Fig. 6)

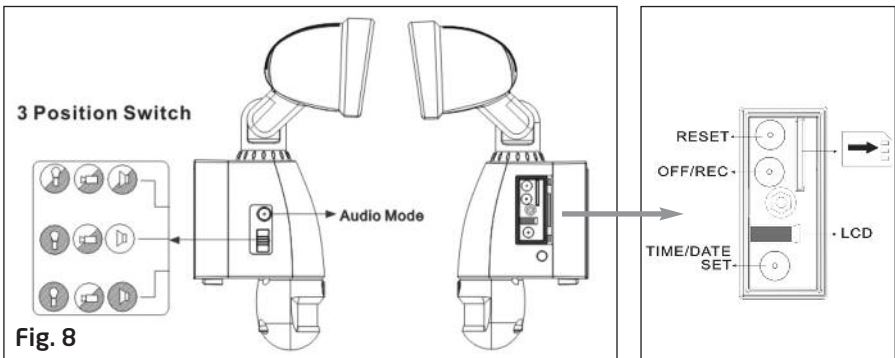


Step 5 - Adjusting the Settings (see Figs. 7 - 9)

- **Time control:** Turn the time control knob to "+" side to increase the illumination time (7 minutes max.), turn the control knob to "-" side to reduce the illumination time (30 seconds min.)
- **Sensitivity control:** Adjust the detector range of Passive Infrared Motion Sensor ($\pm 2M \sim 10M$)



- **Selecting working mode:**
 - Mode 1: Floodlight, Camera and Speaker in operation both day and night**
 - Mode 2: Daytime: light is OFF, camera is ON, speaker is ON**
Nighttime: light is ON, camera is ON, speaker is OFF
 - Mode 3: Daytime: light is OFF, camera is ON, speaker is OFF**
Nighttime: light is ON, camera is ON, speaker is ON



■ **Audio mode:**

To Change audio mode press the audio mode button (Fig. 8). The audio mode will cycle through the available options on each push.

Option 1 : Warning you are being recorded by a security camera

Option 2 : Dog barking

Option 3 : Self recorded message 1 (max 10 sec)

Option 4 : Self recorded message 2 (max 10 sec)

Option 5 : Off

■ **Recording your own messages (Fig. 9)**

Guardcam will allow you to record two messages of your own for delivery on detection. To achieve a good quality playback it is best practice to make these recordings prior to final installation speaking clearly in an environment free from background noise. The microphone is located at the base of the unit directly above button A.

Two separate messages may be recorded for a maximum length of 10 seconds each.

To record a message press and hold button A. After the "bleep" release button A and record your message. When finished press button A again to stop recording, you will here a double confirmation bleep.

To record a second message simply repeat the process.

To check the recorded message/s press and release button B. Should you wish to delete a self recorded message press and hold button B for 3 seconds, a double bleep will confirm deletion.

NB If you attempt to record a new message without first deleting an old message you will hear a triple error bleep.

Please note:

Should the power to GuardCam be removed the sound setting will revert to option1 "warning you are being recorded by a security camera" as a default. If you wish to switch sound off completely please press the sound on/off button located on the base of the unit. See Fig 9.

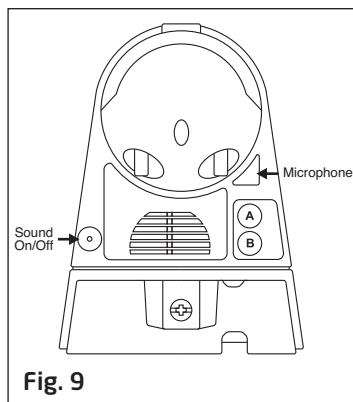


Fig. 9

Status Lamp (below SD card housing)

1) Red: SD card is not inserted into the SD slot or the system is malfunctioning.

2) Green: The unit is recording.

3) LED off: stand by (SD card is inserted into the slot), when off/record button is pressed.

● Please note when off/record button is pressed, remove SD card within 30 seconds (now the status lamp will turn red after SD card is removed from the slot)

■ **Reset button:** restore functions to default settings

1) Press RESET button once each time you turn on unit.

2) Please press this button in case of system malfunction.

■ **Off/Rec:** Please press Off/Rec button to remove SD card. Please remove card within 30 seconds of pressing the Off/Rec button to avoid loss of data.

Step 6 - Set the Date and Time and Video Mode

This will allow the images taken by GuardCam to display the correct date and time it was taken.

Push TIME/DATE SET button (see Fig. 10) for 3 seconds, The LCD screen will then flash 3 times, indicating you have entered Time/Date setting mode.

1. "YEAR" setting: "Y" and "08" are displayed on the screen; push the button to set year from "08-99", push the button again and hold for 3 seconds to scroll through numbers quickly. If you have not pressed the button for 3 seconds, it will automatically save the year and go on to allow you to set the month.

Repeat the same setting procedure for MONTH / DATE / HOUR / MINUTE / VIDEO MODE.

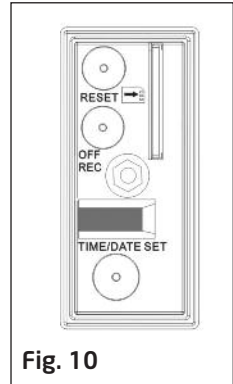




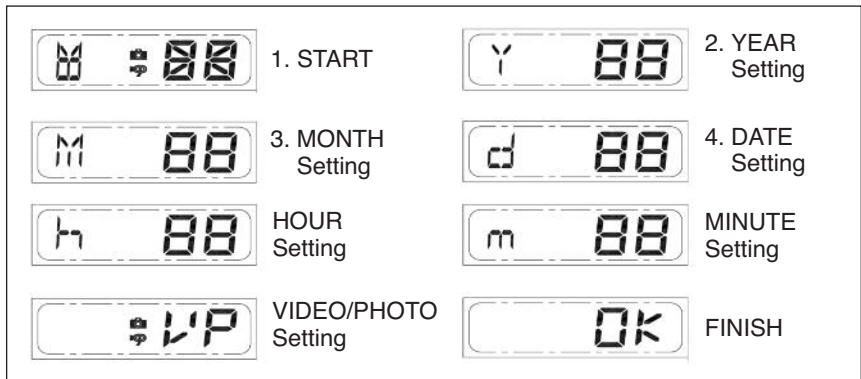
Fig. 10

2. **Video mode setting:** automatically at the end of the time date setting two icons  and  "V" appear on the screen; push the button to choose "V" (Video) or "P" (Photo).

On the "P" (photo) setting, GuardCam will take a series of digital photographs at a rate of 1-3 photos every second when the motion sensor is triggered.

On the "V" (video) setting, GuardCam will take a 20 second video clip when the motion sensor is triggered.

Please note that in the event of a mains power failure GuardCam will revert to the factory setting of "V".



If you have not pushed any buttons for 3 second, "OK" will appear on the screen, indicating it has automatically saved the current settings. The LCD screen will shut off automatically 10 seconds later.

Please note that in the event of a mains power failure in excess of 72 hours the time and date settings must be reset.

Step 7 - RF Trigger Settings

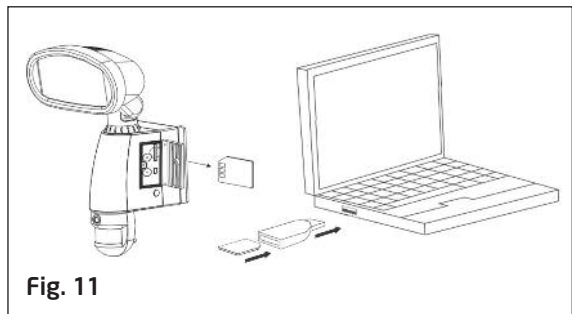
Upon detection GuardCam RF has the ability to send an RF trigger to any number of optional AlertCam RA (remote alarm) or AlertCam RS (remote switch) receivers, details of which can be found on the inside back cover of this manual.

To ensure trigger signals are only received by the intended devices the RF codes on both units must be set. An RF coding switch block for the GuardCam RF can be found on the rear panel adjacent to the main power input (Fig. 7). Each of the four switches can be set to on or off. Pair the GuardCam RF with intended receivers by matching a choice of on/off selections across all units.

Step 8 - Viewing Video

Viewing image by computer through USB card reader supplied (see Fig. 11)

- Open SD card housing with allen key supplied
- Press OFF/REC button and remove SD card from the slot.
- Put the SD card into the USB card reader supplied, then insert the card reader into PC via a USB port and open Windows Media Player to view the video.



Direct viewing of video via USB

During installation it is possible to view a video feed from GuardCam directly to a laptop PC to ensure the units camera is correctly aimed to your requirements. In order to do this a USB connection must be made between the GuardCam and the Laptop via the supplied cable. In addition the supplied driver software must also be installed on the laptop used.

Step 9 - Installing the Driver on your computer

- Insert the provided CD-ROM into your computer (Suitable for Microsoft software, MAC not applicable).
- Locate the CD drive on your laptop and select the file marked "GuardCam View"
- Follow the instructions on the installation screen.
- If your computer doesn't run the installation program automatically, please click the "Start" button and choose "Run." Then browse your computer to find the file name under which you saved the driver and click "Setup."
- Driver program "PC Camera" will appear after the installation.

Viewing real-time video from your GuardCam.

You should first install the provided driver, please refer to Step 8

- Using the provided USB cable connect the mini USB port on the rear of the GuardCam PIR (behind rubber plug) to an available USB port on your laptop. Please note the GuardCam should be powered at this time.
- To view a direct video feed execute the installed software.
- After installation remove the usb cable and replace the rubber plug to avoid water ingress.

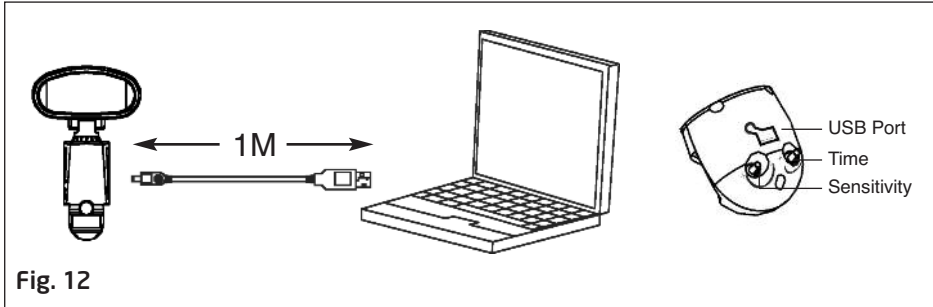


Fig. 12

Optional extras



AlertCam RA

- Wire free remote alarm/chime receiver
- Alarm or chime mode
- Up to 60m range
- Time and volume adjustable



AlertCam RS

- Wire free remote switching unit
- Up to 60m range
- 1500w switching capability
- IP44 rated
- Adjustable switched time

Technical Specifications

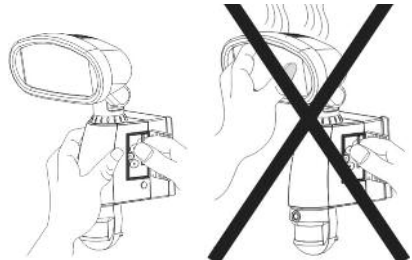
Features and specification:

- PIR detection angle 160 Deg and detection range up to 10M
- 20 seconds of image recording for image streaming
- SD card slot for storage, max memory size up to 64GB
- SD card specification: FAT16 (SD) / FAT32 (SDHC)
- Automatic exposure control, white balance and sharpness
- Auto Date & Time stamp
- Effective viewing angle: 60 deg
- Effective viewing distance: 8M
- Image format: JPEG AVI File
- Powered by AC 100V to 240V (subject to requirement)
- Halogen tube 230W
- Auto light sensor
- Sensitivity control
- Floodlight time delay control

General Information and Safety

SPECIAL CARE INSTRUCTIONS

- The GuardCam Motion Light with Video Camera is designed to be weather resistant. Never attempt to immerse the unit in water or any other liquid. This will damage the unit and void the warranty.
- This product is designed to illuminate, video, and make verbal announcements. It will not prevent the commission of any act, legal or illegal. The manufacturer assumes no liability for any damage to property, injury to person, or death.
- Use a soft lens cloth for cleaning lens. Avoid touching lens with fingers.
- Remove dirt or stains with a soft cloth dampened with water or neutral detergent. Keep the GuardCam Motion Light with Video Camera in a dry and cool dust-free environment or container when it is NOT used
- Do not open the GuardCam Motion Light with Video Camera for unauthorized service. This could cause serious damage to the unit and will void the warranty.
- This GuardCam Motion Light with Video Camera is a precision electronic device. Do not attempt to service this camera yourself, as opening or removing covers may expose you to the danger of electric shock or other risks.
- To avoid risk of burns due to high temperature do not touch the floodlight when it is turned on.



Technical Support 01527 515145

