

aperta

APDSMW | MULTIWAY VIDEO DOOR STATION



USER MANUAL



www.espuk.com

Contents

System Components	3
Installation	3
Door Station Wiring Example 1	4
Door Station Wiring Example 2	5
Lock Connection Example 1	6
Lock Connection Example 2	7
Door Station Programming Guide	8
Door Station Keypad User Guide	10
Installer’s troubleshooting Guide	11
Optional Accessories	11

System Cabling

All system cabling (excluding mains 240vAC supply) has been tested with Cat5E UTP PVC cable.



Part Number - A8NFORCE5EUTP

Find this product online:
elandcables.com | Cables & Accessories | LAN Cable | Cat 5E UTP PVC Cable

System Components



APDSMW
Multi-Way Door Station



APPOWMW
System Power Supply Unit



APSEPMW
Power Supply Separator

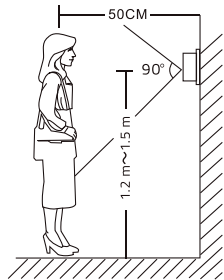


APBC4MW
System Branch Controller

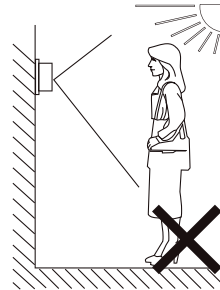
Installation



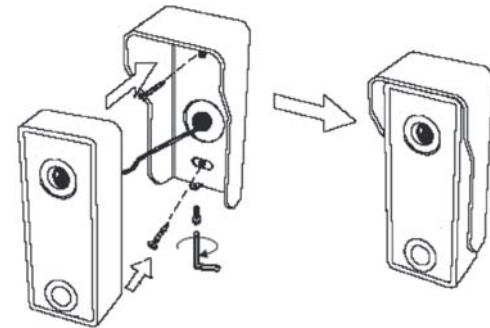
Site the door station a recommended 1.5 meters from the ground, or to suit application.



The camera needs to point in the direction of where a visitor will stand during operation.

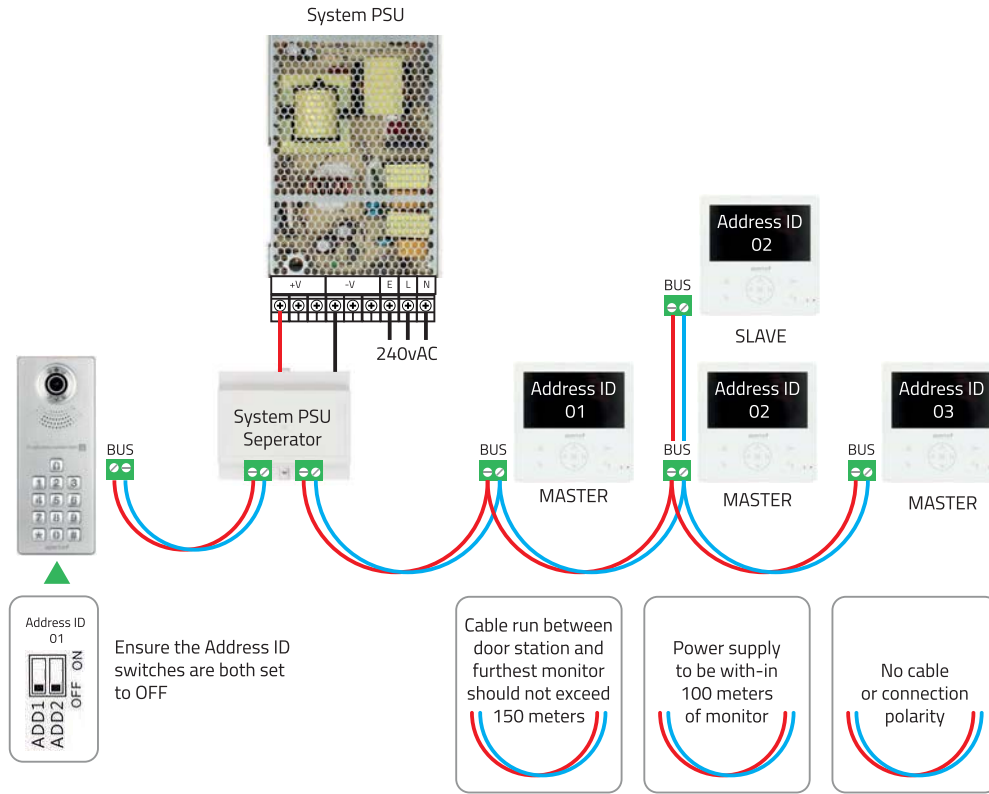


Avoid areas of high sunlight and noise levels.



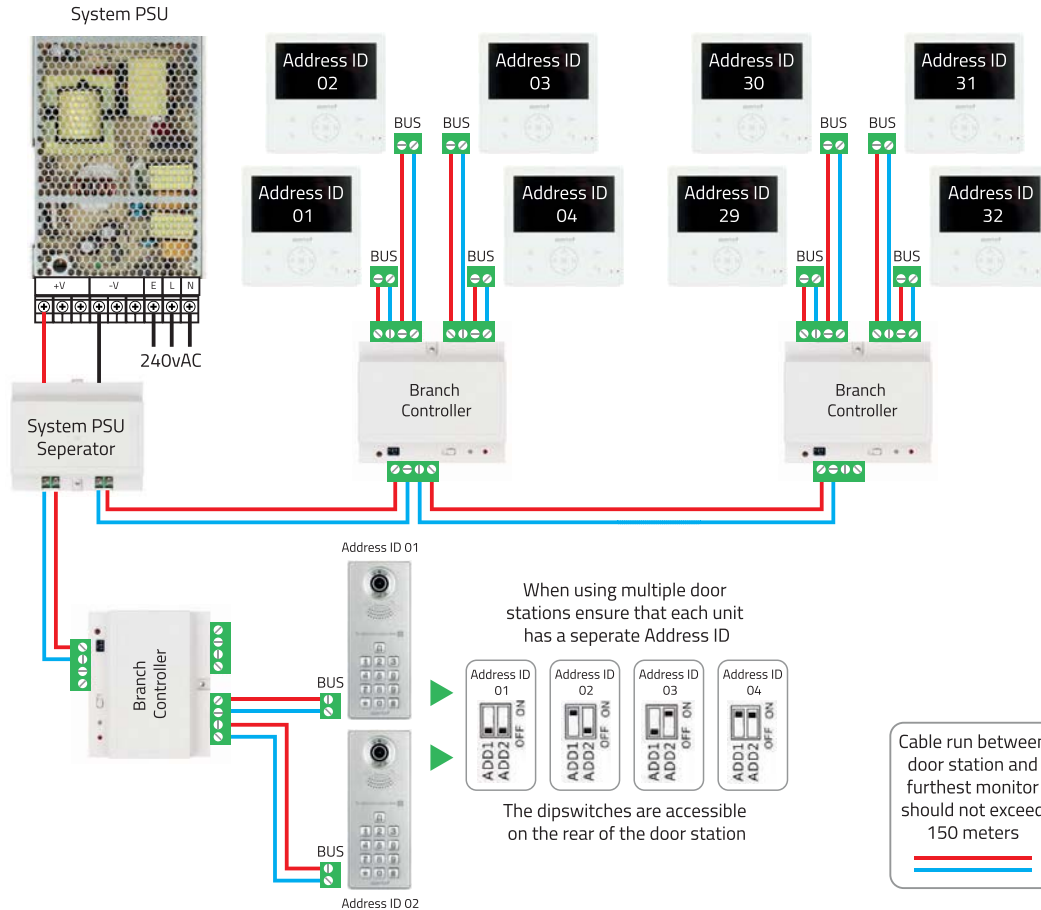
Surface mount the sunshield of the door station and connect the system cabling. Mount the camera to the sunshield by fixing with the supplied hex screw.

Door Station Wiring Example 1



- Each monitor requires the following:
- 1 Set up as a Master or Slave
 - 2 Set up with a unique Address ID: 01-32
- Refer to the monitor's specific Set up guide

Door Station Wiring Example 2



Each monitor requires the following:

- 1 Set up as a Master or Slave
- 2 Set up with a unique Address ID: 01-32

Refer to the monitor's specific Set up guide

Each branch controller requires the following:

- 1 Adjusted dipswitch settings;

When in use with monitors



When in use with door stations



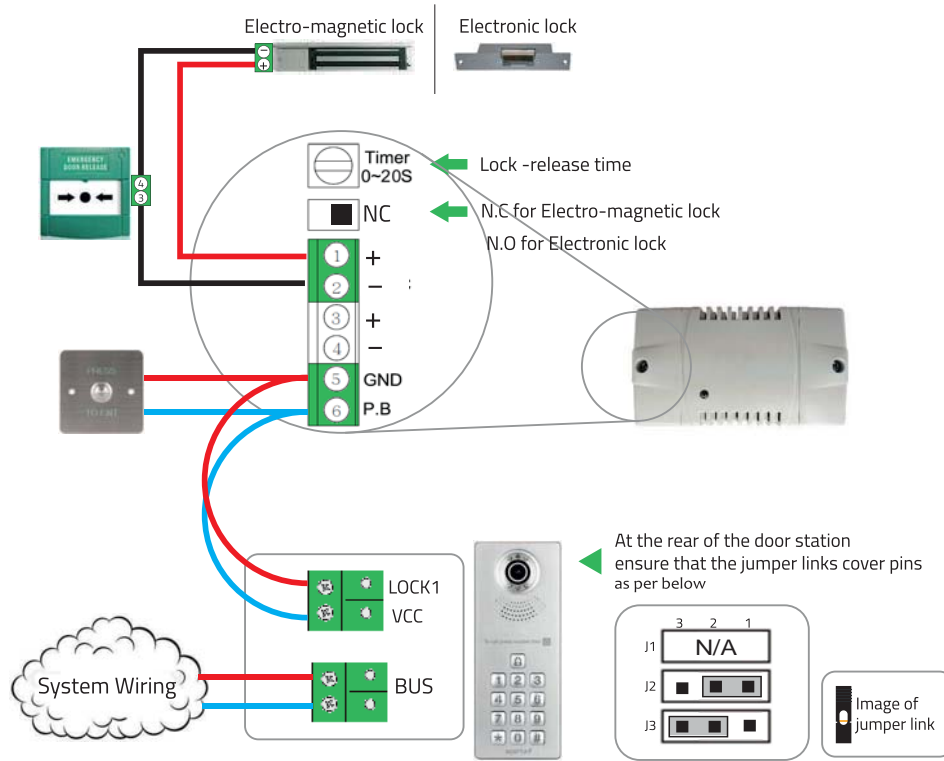
- 2 The branch controller at the end of the line has the impedance switch to ON the indication LED will turn amber ●

Cable run between door station and furthest monitor should not exceed 150 meters

Power supply to be with-in 100 meters of monitor

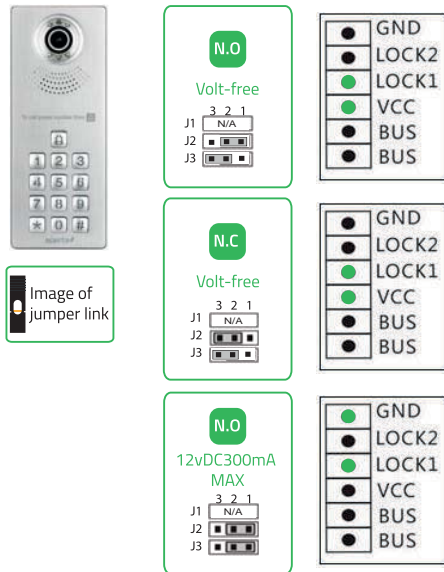
No cable or connection polarity

Lock Connection Example 1

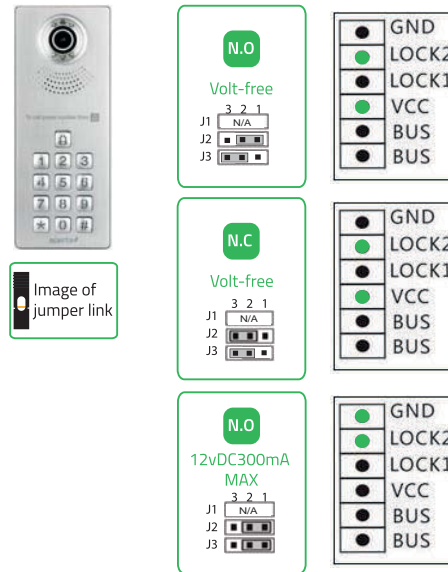


Lock Connection Example 2

- The jumpers on the rear of the door station offer different types of release modes for alternative applications dependent on the jumper link settings. LOCK1 options;



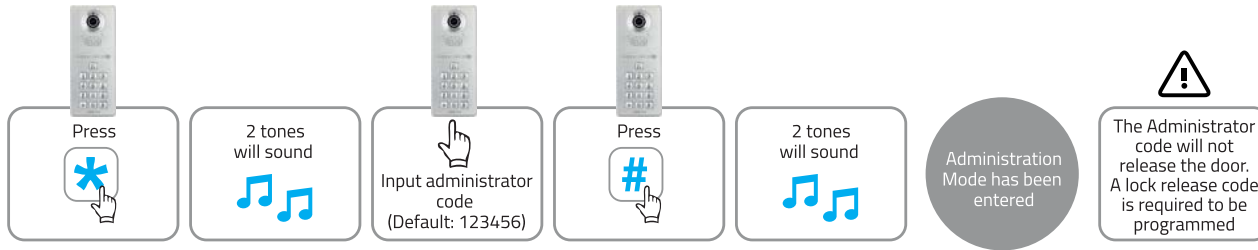
- The door station has a secondary switch. LOCK2 options;



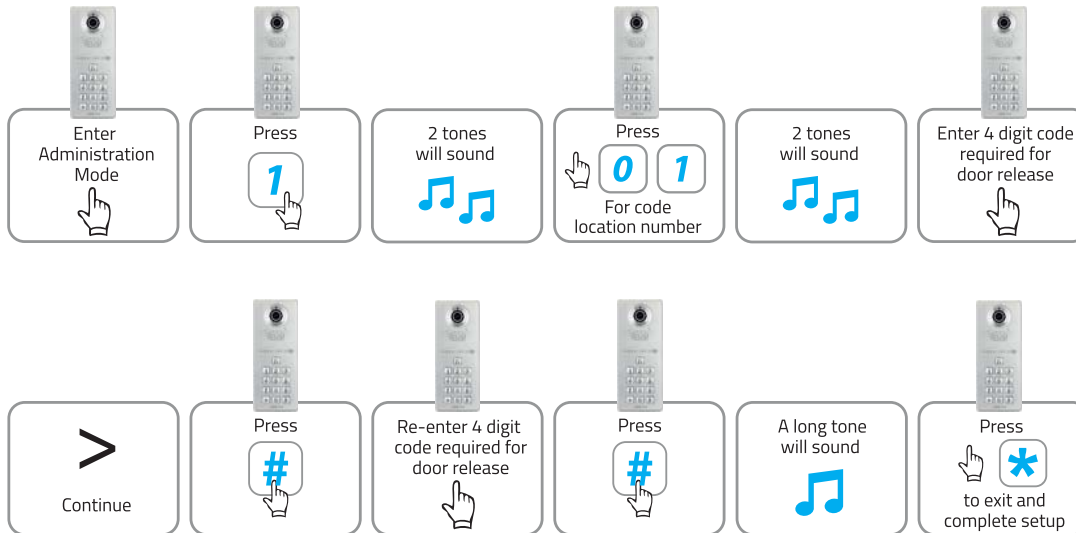
- Please refer to the operation guide for release instructions

Door Station Programming Guide

Entering Administration Mode

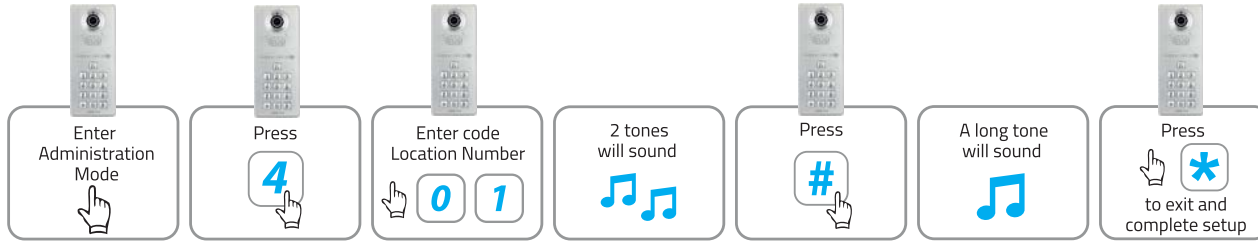


Setting a lock release code



Door Station Programming Guide

Deleting a lock release code

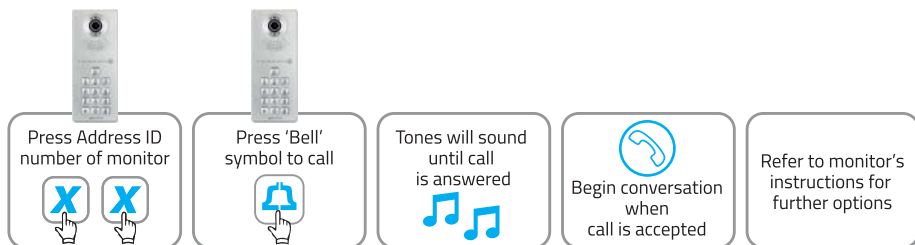


Changing the Administrator code

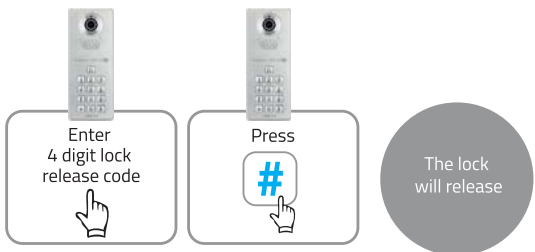


Door Station Keypad User Guide

Making a visitors call



Using the lock release code



Installer's troubleshooting Guide

In the event of no video or audio signals coming from the monitor, or if the call button or audio cannot be activated on the door station, check the following:

- A That the system is powered sufficiently.
- B Each monitor needs to have set an Address ID, set to a master or slave position and configured Video Match switch.
- C All system cabling is secured and properly connected.
- D All system cabling is clear of breaks or short circuits.
- E Bench test the system if the issue cannot be found.

In the event of a lock release issue, check the following:

- A The user instructions and operation of the monitor has been understood.
- B That the lock is powered sufficiently.
- C All system cabling is secured and properly connected.
- D All system cabling is clear of breaks or short circuits.
- E On the rear of the door station, ensure the lock output is switching when activated by the monitor.

In event of 5 tones sounding from keypad during programming:

- A Please check an incorrect command has not been entered.
- B The code that has been entered is already in use.

Optional Accessories



APMONW/ APMONB
Monitor white/black



APMONWG/APMONBG
Monitor white/black



EVBPSBB
Lock Power Supply



EV-EXIT
Push To Release



EV-EBG
Emergency Release



EV-ML-250/500XT
Electro-magnetic Lock



ENTERD
Electric Lock



Elite Security Products
Unit 7, Target Park, Shawbank Rd
Lakeside, Redditch B98 8YN



Telephone: 01527 51 51 50
Fax: 01527 51 51 43
email: info@espuk.com

E&OE - Errors and omissions excepted. A16

www.espuk.com

