

MT Range



The MT Range of Multi-Tone sounders and beacons represents the most modern, acoustically advanced and by far the most versatile range of conventional electronic sounders, combined units and dedicated beacons available on the market today.

The Banshee^{MT}, FlashTone^{MT} and Wafer^{MT} come with 32 user-selectable tones incorporating low frequencies, high frequencies, European, American and Australian norms and all industry-standard frequency patterns. Tested and approved to EN 54 Part 3, the MT range boasts leading acoustics, modern curves and low power consumption.

The Wafer^{MT} is the thinnest platform sounder on the market and is renowned for its 360° sound dispersal. With beauty running in the family, the FlashTone^{MT} sounder/beacon unit offers all the modern features and functionality of the Banshee^{MT} but with the addition of several different coloured beacon lenses to enhance the evacuation signal. The FlashDome^{MT} stand-alone beacon features ultra-efficient LEDs and is ideal for use in fire alarm systems which need to be upgraded or designed for conformity to DDA requirements.

The Multi-Tone range is complemented by a wide selection of accessories to suit all applications. Together, the MT Range is unmatched for diversity and ease of installation.

Banshee^{MT}

- Industry leading sounder with enhanced aesthetics
- 32 user-selectable tones - industry standard compatible
- EN 54 part 3 tested and compliant with the CPD
- LPCB and VdS approved
- Simple push and twist bayonet mounting with locking screw
- Easy to install with side and rear cable entry
- Robust 'two in two out' 2.5mm terminals
- Choice of three volume levels
- Very low current consumption
- Extensive series of accessories for a wide range of applications



Wafer^{MT}

- 32 tones designed to be compatible with Banshee^{MT}
- EN 54 part 3 tested and compliant with the CPD
- Slimmest profile in the industry
- Colours matched to leading detectors
- Omni-directional sound (see Polar Plot overleaf)
- Low current consumption
- Choice of three volume levels
- Installer friendly terminals
- Suitable for ceiling or wall mounting
- Front plate for stand-alone use available
- Robust and easily connected 'two in two out' 2.5mm terminals
- Supplied with fixing screws

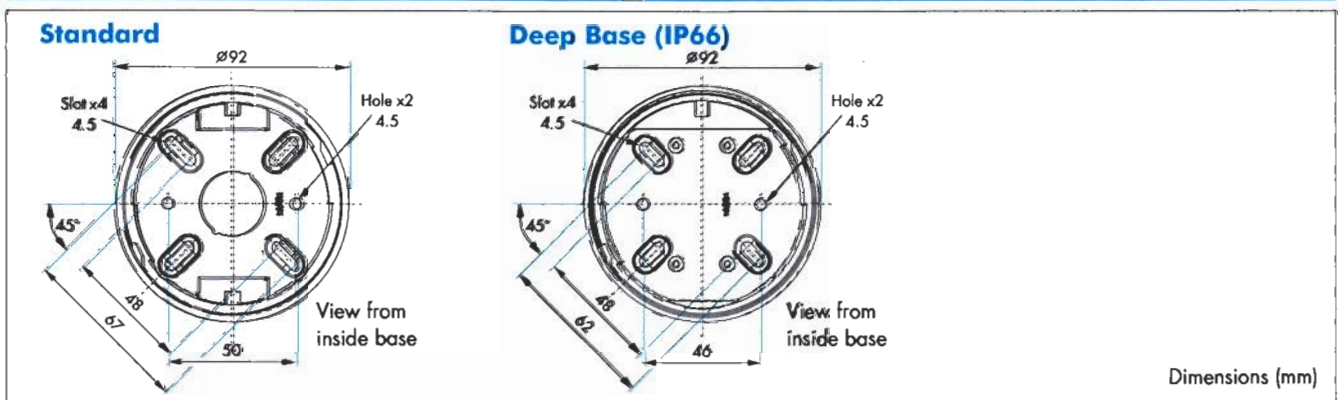


Specification

Model	Banshee ^{MT}	Wafer ^{MT}	FlashTone ^{MT} (Xenon)	FlashTone ^{MT} (LED)	FlashDome ^{MT}
Operating Voltage	9 - 30 Vdc	9 - 30 Vdc	9 - 30 Vdc	9 - 30 Vdc	10 - 28 Vdc
Operating Voltage (EN54-3)	12 Vdc (10 - 14 Vdc) / 24 Vdc (20 - 28 Vdc)				—
Mean Current @12V	Note 1	Note 1	Strobe: 90mA + Sounder	Strobe: 5mA + Sounder	5mA
Mean Current @24V	Note 1	Note 1	Strobe: 40mA + Sounder	Strobe: 5mA + Sounder	5mA
Body Colours	Red, White & Grey	Various whites to match detectors	Red & White	Red	Red
Temperature Range	-40 to +70°C	-40 to +70°C	-20 to +55°C	-25 to +70°C	-25 to +70°C
Weatherproofing (IP66 requires deep base)	IP45 or IP66	Internal use only	IP45 or IP66	IP45 or IP66	IP45 or IP66
Volume control (3 switch settings)	High, Medium (-10dBA), Low (-20dBA)	High, Medium (-6dBA), Low (-12dBA)	High, Medium (-10dBA), Low (-20dBA)	High, Medium (-10dBA), Low (-20dBA)	—
Connections	Screw terminals for 0.28 to 2.5mm ² wire conductor				
Light Output Rating	—	—	1W	0.5Cd	1.0Cd
Flash Rate	—	—	60/Minute	60/Minute	60/Minute
Lens Colour (Polycarbonate)	—	—	Red, Clear, Green Blue & Amber	Red & Clear	Red

Further manufacturers acoustic data is available upon request
 Note 1. See Tone Specification table on back page

Installation - MT Range Common Base



Installation - Banshee^{MT}

