

SCP-2R
Manual Call Point

Installation Instructions

General Description

SCP-2R is a manual call point, designed to work with conventional fire panels.

Functional specifications

Standard EN 54-11
Type (according EN 54-11) . . A
Frangible element type resettable (flexible)
Indication "Fire alarm" red LED
Material (plastic), color ABS, red

Technical specifications

Operating voltage 9 + 30 VDC
Nominal operating voltage 24 VDC
Current consumption in alarm state . . 23mA/15V; 38mA/24V; 48mA/30V
Installation wires 0,4mm² ± 2.0mm²
Relative humidity ≤93% @ +40°C

Working Principle

In stand-by mode, the resettable call point element is in the middle position. The call point LED is off.
When the element is pressed, the resettable element will move down and a color strip will now be displayed at the top of the element. The call point LED will now be illuminated - this will generate a "Fire alarm" condition.
The resetting of the flexible element back to the stand-by mode is done with the special key/ tool - Place the long side of the tool into the slot on the SCP-2R bottom edge with the word UP facing you and push up until flexible element moves up to the middle position (a click will be heard).

Installation Instructions

Remove the cover by means of the three prong key being inserted in the holes at the top of the SCP-2R.
Remove and take out the element by means of the key, using the long side with the word UP facing you. Inserted the key between the bottom of the element and the carrier/red case. Remove the flexible element from the carrier unit by lifting the element at the bottom away from the carrier and side the element down and pull out.
Keep the element in a safe place.
The SCP-2R can be surface fitted or flush mounted.

Surface mounting

1. Mount the back box and observe the knockout holes - never locate the knockouts on the left or right side.
2. With the cover and element removed connect cables as required to the terminals (see the connection diagram).
3. Place the carrier unit over the back box and use the supplied screws to secure the carrier to the back box.
4. Refit flexible element to the carrier unit.
5. Refit the cover by locating the bottom of the cover first then pushing the top back/clip into position.
6. Test the call point functionality and reset.

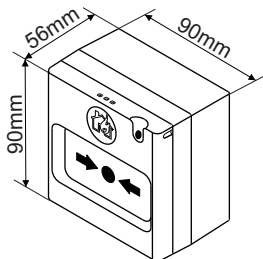
Flush mounting

The flush mounting of SCP-2R call point can be fitted into a standard UK single gang back box with a depth of 25mm or greater. The fitting/assembling and wiring of the SCP-2R flush fitting is the same as for the surface mount fitting.

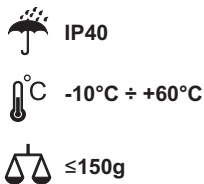
Testing the Call Point Operation

Isolate/put into test mode the fire alarm system before testing. Use the special tool to test the call point operation. To carry out the test - insert the long part of the key/tool with the word UP facing you into the "Test" hole. This is located at the bottom of the SCP-2R and push up to test. The tool will move the flexible element up and thus operates the call point. The LED will illuminate while the call point is in test mode. To end the test remove the tool/key from the SCP-2R, the LED will go out and the call point will be reset.

! Dimensions



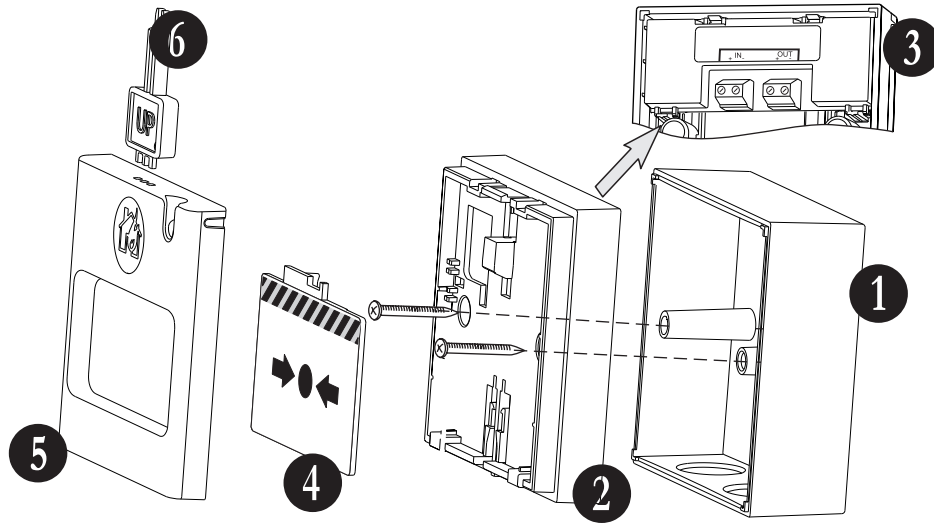
! Installation



Distributor: Elite Security Products Ltd, Unit 7
Target Park, Shawbank Road Lakeside,
Redditch B98 8YN, UK
<http://www.espuke.com>

Manufacturer: Teletek Electronics JSC
Address: 14A Srebarna Str, 1407 Sofia, Bulgaria
[Http://www.teletek-electronics.com](http://www.teletek-electronics.com)

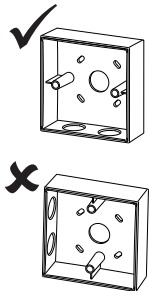
STRUCTURE



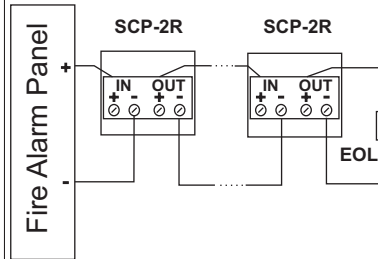
CONTENTS:

- (1) - surface mounting box;
- (2) - carrier unit;
- (3) - PCB with terminals (mounted on the back of the carrier unit);
- (4) - resettable (flexible) element;
- (5) - cover;
- (6) - tool for opening, testing and resetting of the flexible element in stay-by mode (use the tool as shown on the picture - the "UP" mark must be in front).

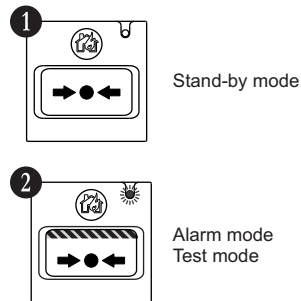
Surface and flush mounting position



Connection to a fire panel



LED Indication



Testing the operation

