

PoE Networking Solution

User Guide

4*10/100Mbps+2FE PoE Switch

Package Contents

Check the following contents of your package:

- PoE Switch x 1
- User Guide x 1
- Power Cord x 1
- Accessories(Feet*4)

If any part is lost and damaged, please contact your local agent immediately.

FCC statements

This device complies with Part 15 of the FCC Rules. Operation is subject to the following two conditions: (1) this device may not cause harmful interference, and (2) this device must accept any interference received, including interference that may cause undesired operation.


Caution: The user is cautioned that changes or modifications not expressly approved by the party responsible for compliance could void the user's authority to operate the equipment.

Note: This equipment has been tested and found to comply with the limits for a Class A digital device, pursuant to part 15 of the FCC Rules. These limits are designed to provide reasonable protection against harmful interference when the equipment is operated in a commercial environment. This equipment generates, uses, and can radiate radio frequency energy and, if not installed and used in accordance with the instruction manual, may cause harmful interference to radio communications. Operation of this equipment in a residential area is likely to cause harmful interference in which case the user will be required to correct the interference at his own expense.


LVD/EMC Directive

-  This product complies with the European Low Voltage Directive 2014/35/EU and EMC Directive 2014/30/EU.

WEEE Directive–2012/19/EU

-  The product this manual refers to is covered by the Waste Electrical & Electronic Equipment (WEEE) Directive and must be disposed of in a responsible manner.

Battery Directive-2013/56/EC

-  Battery in the product complies with the European Battery Directive 2013/56/EC. For proper recycling, return the battery to your supplier or to a designated collection point.

Introduction

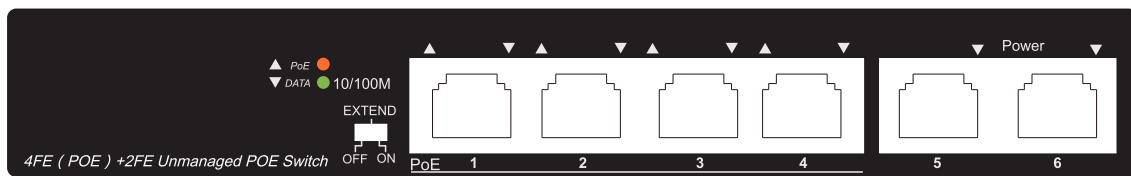
The switch provides the seamless network connection. The PoE ports (Port1~4) can automatically detect and supply power with those IEEE 802.3af/at compliant Powered Devices (PD). The electrical power is transmitted along with data in one single cable allowing you to expand your network where there are no power lines or outlets, where you wish to fix devices such as AP, IP Cameras or IP Phones, etc.

It is easy to install and don't need to configuration. With outstanding performance and quality, the 6-port 10/100Mbps desktop PoE switch is an ideal choice for expanding your home or office network.

Hardware Description

Front Panel

The Front Panel of the switch consists of 6-Port 10/100Mbps Ethernet RJ45 Ports. The LED indicators are also located on the panel.



4*10/100Mbps+2FE PoE Switch

DIP Switch

The DIP switch located on the left panel.

Default mode: When Extend closed the factory default mode can normal communication between port 1~6.

Extend: 1-4 port can be isolated each other but 1-4 port can connect to 5, 6 port after open extend to stop broadcast storm to increase forwarding rate of frame. The extend mode, Up to 250m PoE distance allows you to expand you network via Ethernet cable to where there is no power line or outlet but where you want to fix device such as IP Cameras.

Note: After change the mode, in order to make the corresponding configuration take effect you need to manually restart the PoE switch.

LED indicator

LED	Color	Function
PWR	Orange	Off: No Power supply. Light: Indicates the switch has power.
DATA	Green	Off: No device is connected to the corresponding port. Light: Indicates the link through that port is successfully established at 10/100Mbps. Blink: Indicates that the Switch is actively sending or receiving data over that port.
PoE	Orange	Off: No PoE powered device (PD) connected. Light: There is a PoE PD connected to be port, which supply power successfully. Blink: Indicates port abnormal power supply.

Rear Panel

The rear panel of the switch indicates AC inlet power socket .



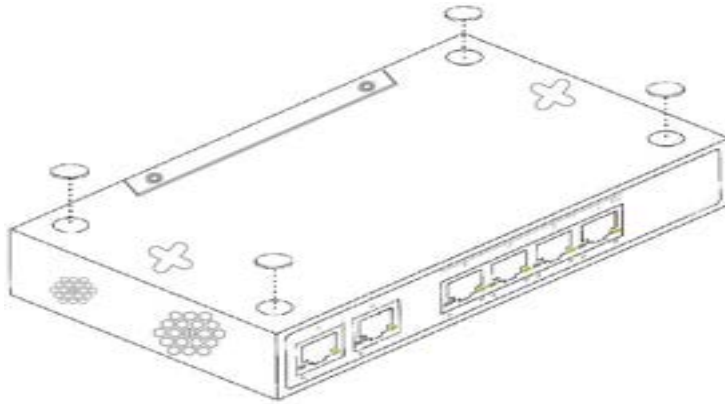
Installation the Switch

This part describes how to install your Ethernet Switch and make connections to it. Please follow the following instructions in avoid of incorrect installation causing device damage and security threat.

- Before cleaning the switch, unplug the power plug of the switch first. Do not clean the switch with wet cloth or liquid;
- Do not place the switch near water or any damp area. Prevent water or moisture from entering the switch chassis;
- Do not place the switch on an unstable case or desk. The switch might be damaged severely in case of a fall;
- Ensure proper ventilation of the equipment room and keep the ventilation vents of the switch free of obstruction;
- Make sure that the operating voltage is the same one labeled on the switch;
- Do not open the chassis while the switch is operating or when electrical hazards are present to avoid electrical shocks.

Desktop Installation

Install the Switch on a desktop, please attach these cushioning rubber feet provided on the bottom at each corner of the Switch in case of the external vibration. Allow adequate space for ventilation between the device and the objects around it.



Wall-mounted installation

In the first two fixed screw on the wall as shown in the figure below

Aim at the two fixed hole switches, and the machine smoothly on the screw



Turn on the switch

The PoE switch can be used with AC power supply. Powering on the switch, it will automatically initialize and its LED indicators will respond as follows:

Firstly, the Power LED indicator will light up.

Then, the data LED indicators will flash momentarily for one second, which represents a resetting of the system.

Specifications

Model	4*10/100Mbps+2FE POE Switch
Standard	IEEE802.3, IEEE802.3u, IEEE802.3x, IEEE802.3af, IEEE802.3at
Network Media(Cable)	10BASE-T: UTP category 3,4,5 cable (≤100m) 100BASE-TX: UTP category 5 cable (≤100m)
MAC Address Table	2K, Auto-learning, Auto-aging
Transfer mode	Store-and-Forward
Frame Forward Rate	10Base-T: 14881pps/Port 100Base-TX: 148810pps/Port
Switching Capacity	1.2G
Dimensions (L*W*H)	168*93*32mm
Fan	Fanless
Power Supply	65W built-in
PoE Port	Port1~4
PoE Power on RJ45	Mode A 1/2(+),3/6(-)
PoE Output	30W(Max)
Temperature	Operating Temperature: 0°C ~ 40 °C (32 °F ~104°F) Storage Temperature: -40 °C ~ 70 °C (-40 °F ~158°F)
Humidity	Operating Humidity: 10% ~ 90% non-condensing Storage Humidity: 5% ~ 90% non-condensing