

infinite Interphone

The infinite Interphone provides the infinite control panel with an external microphone and speaker for Two-Way Audio applications.

Installation

To install the infinite Interphone:

1. Remove the two cover screws.
2. Lift the front cover away from the base.
3. A 2.5m cable with a 6-position RJ-11 connector is supplied with the infinite Interphone. This cable can be spliced to a 24AWG solid four-core cable.
4. Thread the cable through the wiring hole on the back cover.
5. Mount the back cover to the wall using four mounting screws.
6. Connect the cable to the terminal block on the infinite Interphone as follows:

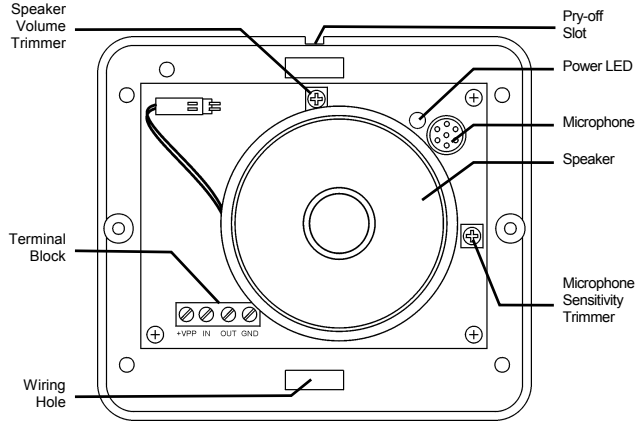


Figure 1: infinite Interphone (cover off)

1	[White]	+VPP	3	[White]	OUT (microphone)
2	[Blue]	IN (speaker)	4	[Orange]	GND

Note: The +VPP wire is labeled for convenience

7. Plug the cable into the RJ-11 jack on the infinite Main board.
8. Replace the front cover and secure using the two cover screws.

Adjusting the Speaker and Microphone

You can adjust the speaker volume and microphone sensitivity using the two trimmers located on the printed circuit board (PCB) – see Figure 1. After installation, test the infinite Interphone and adjust the trimmers as required. Turn the trimmer clockwise to increase or counter-clockwise to decrease the volume/sensitivity.

Enabling the Interphone in Programming

The infinite control panel's Microphone/Speaker options allow you to choose which microphone and speaker shall function during Two-Way Audio communication. You can enable the infinite Interphone to function exclusively or simultaneously with the infinite's internal microphone and speaker.

To program the Microphone/Speaker options:

1. From the Programming menu, select Communications, Comm. Options, Mic./Speaker [95583].
2. Select "External" or "Internal & External".

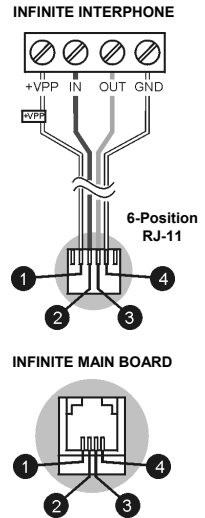


Figure 2: Wiring Connections

Technical Specifications

Operating Voltage: 6-14VDC
 Current Consumption: 90mA (standby), 200mA (operation)
 Frequency Response: 350-3500Hz
 Microphone: Omni-directional electret condenser microphone
 Microphone Sensitivity: -46 ± 3 dB

Speaker: 8 Ω , 1W, 2.5"
 Recommended Cable: 4-core solid (24 AWG)
 Max Cable Length to Panel: 60m
 Operating Temperature: 0-50°C
 Dimensions: 123 x 109 x 27mm



Electronics Line

Electronics Line 3000 Ltd.: 2 Granit Street, Kiryat Arieh, POB 3253, Petah Tikvah 49130 Israel. Tel: (972-3) 918-1333, Fax: (972-3) 922-0831
USA: 5637 Arapahoe Avenue, Boulder, Colorado 80303. Tel: (800) 683-6835, Fax: (303) 938-8062
UK: Unit 7, Leviss Trading Estate, Station Road, Stechford, Birmingham B33 9AE. Tel: (44-121) 789-8111, Fax: (44-121) 789-8055
France: 2I-61, rue du Marché Rollay, 94500 Champigny-Sur-Marne. Tel: (33-1) 45.16.19.20, Fax: (33-1) 45.16.19.29

All data is subject to change without prior notice. In no event shall Electronics Line 3000 Ltd. (EL3K) be liable for an amount in excess of EL3K's original selling price of this product, for any loss or damage whether direct, indirect, incidental, consequential or otherwise arising out of any failure of the product. Hereby, Electronics Line 3000 Ltd. declares that this interphone module is in compliance with the essential requirements and other relevant provisions of Directive 1999/5/EC



ZI0320A (12/03)