



INF-REPEATER

INSTALLATION GUIDE



Electronics Line

Introduction

The INF-REPEATER is a wireless repeater designed to extend the range of wireless devices registered to the infinite control panel. Up to four repeaters can be registered to the control panel with 32 transmitters registered to each repeater. The repeater is powered by either 9VAC or 12VDC with a 6V rechargeable backup battery pack. Registration and maintenance tests are performed using a plug-in LCD programming keypad that provides a comprehensive interface to the repeater.

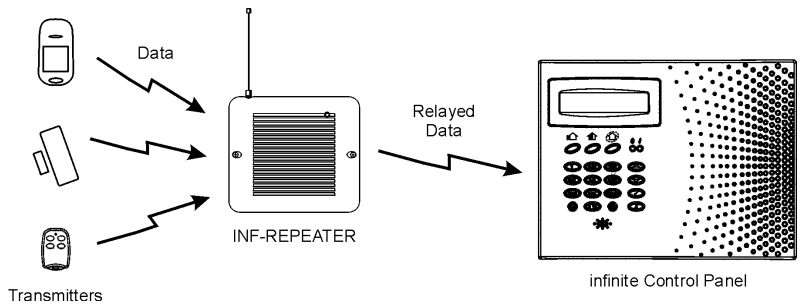


Figure 1: Typical Single Repeater Application

Installation

1. Register all wireless devices to the infinite control panel as explained in the infinite installation manual.
2. On the control panel, define the detection devices that are intended to transmit via the repeater as follows:
 - From the Programming menu, select Devices, Zones [911].
 - Select the zone you want to program (1-32).
 - From the zone's sub-menu, select Repeater [#9].
 - Select "Use Repeater".

Note: It is not necessary to define, at the control panel, the keypads and keyfobs that are registered to the repeater.

3. Open the INF-REPEATER's plastic housing. To do so, remove the two cover screws and lift the front cover away from the base.

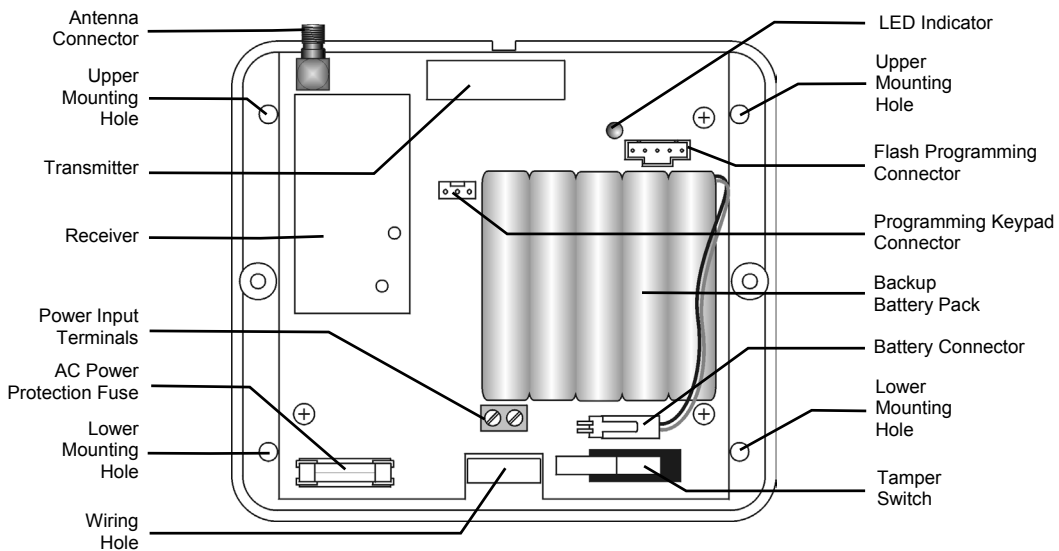


Figure 2: INF-REPEATER (cover removed)

4. Connect the antenna provided to the antenna connector.
5. Connect the backup battery pack to the Battery connector.
6. Connect a 9VAC or 12VDC transformer to the Power Input terminal block (polarity is not important).
7. All registration and test functions, described in the following sections, are performed from the LCD programming keypad shown in Figure 3. Connect the programming keypad to the Programming Keypad connector.

Note: The programming keypad is not able to operate on battery power only.

8. Test the repeater from the required mounting location before permanently mounting the unit.
9. Mount the base to the wall using four screws and replace the front cover.

When the tamper switch is open, the bi-color LED provides indication regarding repeater transmission and reception as an aid during the installation procedure – see Table 1. When the tamper switch is closed, the bi-color LED provides indication regarding power status – see Table 2.

LED Indication	Description
Flashing Green	Signal Reception
Flashing Red	Signal Transmission

Table 1: LED Indication (Tamper Open)

LED Indication	Description
Steady Green	AC & Battery OK
Flashing Red	AC Loss
Flashing Orange	Low Battery

Table 2: LED Indication (Tamper Closed)

Registering the Repeater to the Control Panel

For the control panel to recognize the repeater, you must register the repeater to the control panel.

To register the repeater to the control panel:

1. Set the **control panel** to Registration mode as follows:
 - From the Programming menu, select Devices, Repeaters [914].
 - Select the repeater you want to register (1-4).
 - From the repeater's sub-menu, select Register [#1].
2. Send two Status transmissions from the **repeater** as follows:
 - On the programming keypad, press **▼** until **5. STS Transmit** appears on the display.
 - Press **✓**.
 - Press **✓** again.
3. Confirm registration to the **control panel** as follows:
 - When **Save?** appears on the control panel's LCD display, press **✓**.

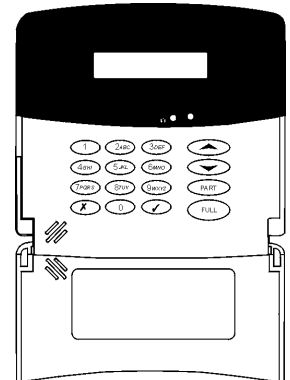


Figure 3: LCD Programming Keypad

Registering Transmitters to the Repeater

You can register up to 32 transmitters to the INF-REPEATER.

Note: Do not register the same transmitter to more than one repeater.

To register transmitters to the repeater:

1. On the LCD programming keypad, press \blacktriangledown until **4. TX Register** appears on the display.
2. Press \checkmark ; **New Device** appears on the display.
3. Press \checkmark again; **Transmit 1** appears on the display.
4. Send two transmissions from the device you want to register.
5. When the transmitter number and **Save?** appear on the display, press \checkmark to confirm registration.

Note: The INF-REPEATER automatically allocates a transmitter number to each newly registered device. Write this number and the zone number on the sticker provided with the sensor and stick it inside the transmitter's cover for future reference.

6. After you have confirmed registration, the display returns to **New Device**. Press \checkmark to register another device or \times to exit Registration mode.

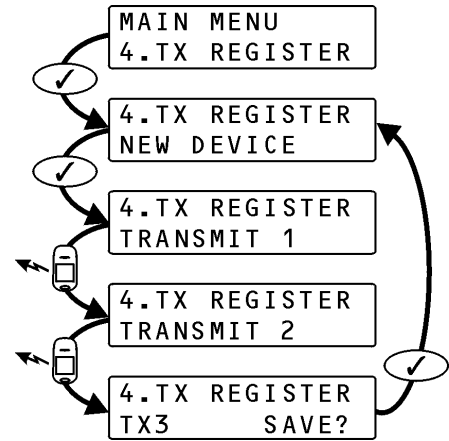


Figure 4: Transmitter Registration Procedure

Deleting Registered Transmitters

To delete transmitters from the repeater's register:

1. On the LCD programming keypad, press \blacktriangledown until **3. TX Delete** appears on the display.
2. Press \checkmark ; the first transmitter in the list appears on the display.
3. Use the arrow navigation keys (\blacktriangle / \blacktriangledown) to scroll to the transmitter you want to delete.
4. Press \checkmark to select the transmitter.
5. Press \checkmark again for confirmation; the transmitter is deleted.
6. Select another transmitter to delete or press \times to exit.

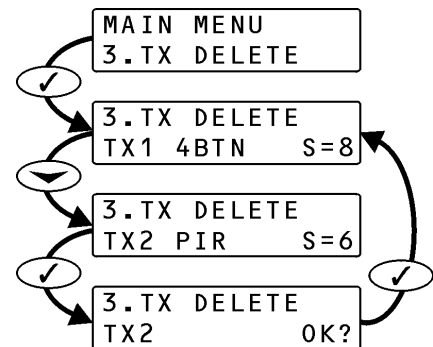


Figure 5: Delete Transmitter Procedure

Installer Utilities

The INF-REPEATER repeater offers two installer utilities that serve as a valuable aid during installation and maintenance.

TX List

The TX List is a scrollable inventory of all registered transmitters and their last reported signal strength.

To view the TX list:

1. Press \blacktriangledown until **1. TX List** appears on the display.
2. Press \checkmark ; the first transmitter in the list is displayed.
3. Use the arrow navigation keys (\blacktriangle / \blacktriangledown) to scroll through the list.
4. Press \times to exit the list.

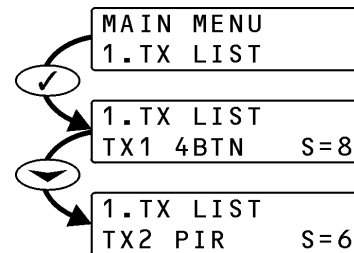


Figure 6: TX List Procedure

TX Test

TX Test is a utility that enables you to identify registered transmitters and test their signal strength.

To perform a TX test:

1. Press \blacktriangledown until **2. TX Test** appears on the display.
2. Press \checkmark .
3. Activate a transmitter; the transmitter number, type and signal strength are displayed.
4. Press \times to exit TX Test mode.

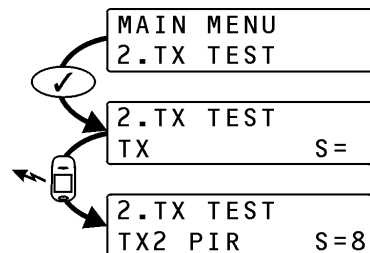


Figure 7: TX Test Procedure

Technical Specifications

Frequency: 868.35MHz FM
Antenna: External Whip
Operating Voltage: 9VAC or 12VDC
Backup Battery: 6V/850mAh
(5 x 1.2V Ni-MH rechargeable cells, size AAAL)

Current Consumption: 100mA max. (during transmission)
Number of Transmitters: 32 max.
Tamper Protection: Front Cover (N.C.)
Operating Temperature: 0-60°C
Dimensions: 123 x 109 x 27mm



www.espuk.com



Electronics Line

www.electronics-line.com

ESP - Electronics Line UK

Unit 7, Levis Trading Estate

Station Road, Stechford

Birmingham B33 9AE

Tel: (+44-121) 789-8111

Fax: (+44-121) 789-8055

IF YOU REQUIRE FURTHER ASSISTANCE
PLEASE CALL OUR HELPLINE

0121 786 1881

SEND A FAX

0121 789 8055

OR AN E-MAIL VIA OUR WEBSITE

www.espuk.com



All data is subject to change without prior notice. In no event shall Electronics Line 3000 Ltd. (EL3K) be liable for an amount in excess of EL3K's original selling price of this product, for any loss or damage whether direct, indirect, incidental, consequential or otherwise arising out of any failure of the product.

Hereby, Electronics Line 3000 Ltd. declares that this repeater is in compliance with the essential requirements and other relevant provisions of Directive 1999/5/EC.