



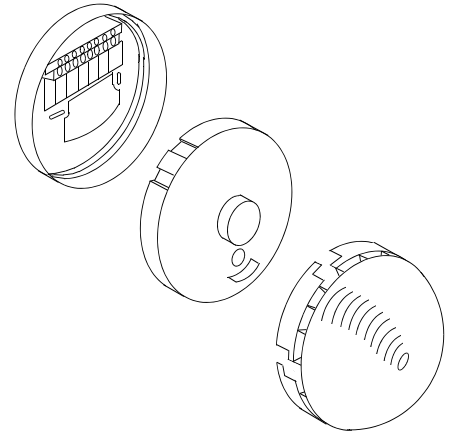
## INSTALLATION AND MAINTENANCE INSTRUCTIONS

**MAGDUOSS** MAGDUO Sounder Strobe (Domed)  
**MAGDUOSSLP** MAGDUO Sounder Strobe (Low Profile)

---

### General Description

The MAGDUO Sounder Strobe allows for audible and visual indication when the system enters an alarm condition. This device is compatible with the MAGDUO range of Fire Alarm equipment and comprises of a 2-wire zone-powered sounder. This device may be installed on the same zone as the Multipoint detector/sounder and associated MAGDUO devices.



### Before Installation

The MAGDUO Sounder Strobe must be installed in compliance with the control panel installation manual. The installation must also meet the requirements of any local authority. For maximum performance the Flashpoint should be installed in compliance to BS5839 Pt1 : 2017

### Spacing

It is recommended spacing sounders and strobes in accordance with BS5839 Pt1. For more specific information regarding sounder spacing, placement and special applications please refer to BS5839 Pt1 : 2017.

### Device Installation

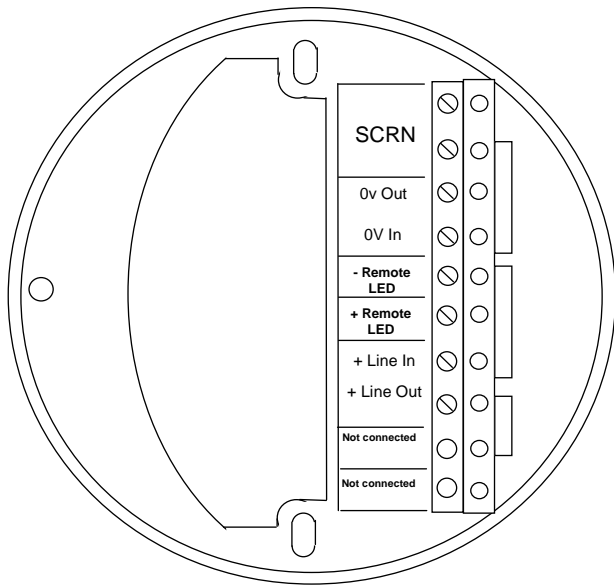
All wiring must be installed in compliance with the recommendations laid out by BS5839 Pt1 : 2017 as well as any special recommendations documented in the control panel installation manual. The cabling used should be of a 2-core 1.5mm<sup>2</sup> screened, fire resistant type (e.g. MICC or FP200 equivalent), and is to be wired in the form of a screened 2-core radial circuit (with no spurs) from the control panel, terminating at the last ("End of Line") device.

Fix the base in a suitable position using the two screw slots provided remembering to allow enough cable length for termination. You may then terminate your cables directly into the terminal block according to the terminal labels.

Once all testing has been carried out on the cabling and 'continuity & integrity' has been proven, the Flashpoint unit may be fitted. To insert the Electronics Module, locate the pins and gently push it home. To fit the translucent cover, gently offer it into the base, rotating the cover until it drops in and clicks into its locked position.

Please remember that all high voltage testing must be carried out before the installation of the unit otherwise the electronics will be damaged.

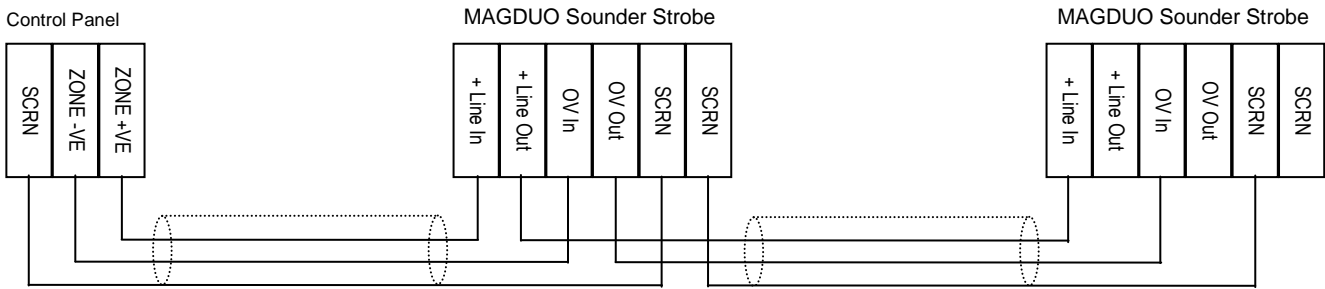
## Connections



Terminal	Description
SCRN	Screen
0V Out	Zone -ve out to next device
0V In	Zone -ve in from panel (or previous device)
- Remote LED	Remote LED output -ve
+ Remote LED	Remote LED output +ve
+ Line In	Zone +ve in from panel (or previous device)
+ Line Out	Zone +ve out to next device

**Note:** The “+ Line Out” and “0V Out” terminals must not be used on the last device in the zone.

**Remember that the device at the end of the line must have its EOL signal activated using the relevant DIL switch. Do not use a resistor or capacitor (or another manufacturer's End of Line device) as the end of line, as this may prevent correct operation of the zone.**



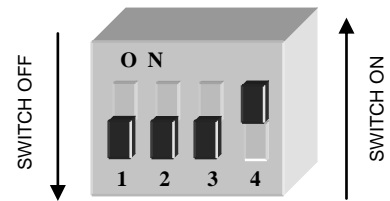
MAGDUO Sounder Strobes can be mixed on the same zone as other types of MAGDUO device. The above diagram shows how to make the zone positive, zone negative and screen connections between the control panel and Sounder Strobe. Refer to the instruction leaflets supplied with other MAGDUO devices for their equivalent wiring/terminal labelling details.

Please note that the SCR N terminal on the Sounder Strobe bases should only be connected to the zone cable screen and NOT to the building earth. The cable screen is connected to earth at the panel end only, via the zone "SCR N" terminal (or EARTH terminal on the MAGDUO panel). It is important to maintain the screen continuity in order to protect against data corruption from interference.

### **DIL Switch Settings**

The DIL switches may be used to program the operation of the Sounder Strobe. They may be altered when the device is removed from the base.

The last device on the circuit must have the EOL signal enabled (switch number 1 in the 'ON' position).



		<b>DIL SWITCH SETTINGS</b>			
		<b>1</b>	<b>2</b>	<b>3</b>	<b>4</b>
<b>End of line</b>	Enabled	ON			
	Disabled	OFF			
<b>Sound Levels</b>	High		ON		
	Low		OFF		
<b>Sound Patterns</b>	Sound OFF			ON	ON
	Dual Tone UK Evacuate – 800 & 970 Hz			ON	OFF
	Slow Whoop Up - 500 to 1200 Hz sweep up			OFF	OFF
	Dual Tone French Warble – 440 & 550 HZ			OFF	ON

## Technical Data

Dimensions	Diameter. ....105mm Depth .....45mm (Low Profile) / 62mm (Domed) Flush Depth Protruding .....34 mm Surface Depth .....62 mm
Operating Temperature	.....-10°C to +50°C
Voltage Ranges	DC Output from Mains Powered Panel ...25.5 to 35V DC DC Output from Battery Powered Panel .20 to 26V DC
Operating Current (Typical)	Quiescent .....223 uA End of line ON if applicable .....198 uA <i>(in addition to Quiescent)</i> Alarm Sounding – Sounder High .....23.5 mA Alarm Sounding – Sounder Low .....15 mA Beacon .....5.5 mA
Volume Level (@ 1m anechoic, Dual Tone)	Sounder High .....90+ dB(A) Sounder Low .....65+ dB(A)
Loading Units	Max Device Loading Units per zone .....160 DLU Sounder High. ....54.0 DLU Sounder Low .....33.0 DLU Beacon .....33.0 DLU
LED Operation	EOL indication .....5 second interval
Beacon Operation	Period .....1s Flash Duration .....15 ms
Flammability	.....UL94-V2
IP Rating	.....IP 21C
Part Codes	Low Profile.....MAGDUOSSLP Domed .....MAGDUOSS

## Maintenance


There are no user serviceable parts inside. Wipe the outside with a damp (not wet) cloth.

## Technical Support

Due to the complexity and inherent importance of a life risk type system, training on this equipment is essential, and commissioning should only be carried out by competent persons.

ESP's policy is one of continual improvement and the right to change a specification at any time without notice is reserved. Whilst every care has been taken to ensure that the contents of this document are correct at time of publication, ESP shall be under no liability whatsoever in respect of such contents. E&OE.

www.espu.com

 0832	
Elite Security Products LTD Unit 7 Target Park, Shawbank Road, Lakeside, Redditch, B98 8YN England 11 DoP-MAGDUOSS-01, DoP-MAGDUOSSLP-01	
<b>EN54-3: 2001 +A1: 2002 +A2: 2006</b>  <b>Sounder Technical Data See: 26-1649</b>  <b>Intended for use in the fire detection and fire alarm Systems in and around buildings</b>	
Essential characteristics	Performance
Nominal activation conditions/Sensitivity, Response delay (response time) and performance under fire conditions	Pass
Operational reliability	Pass
Durability of operational reliability and response delay, Temperature resistance	Pass
Durability of operational reliability, Vibration resistance	Pass
Durability of operational reliability, Humidity resistance	Pass
Durability of operational reliability, Corrosion resistance	Pass
Durability of operational reliability, Electrical stability	Pass
Durability of operational reliability, Resistance to ingress	Pass