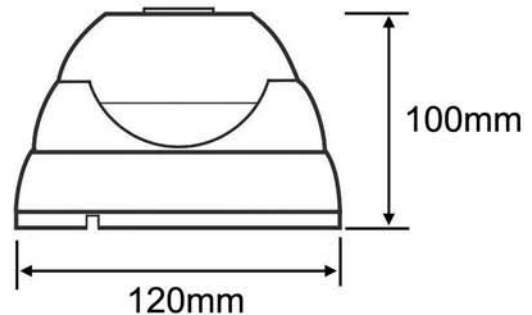


650+ TVL IP65 Day/Night (30M IR) "Eyeball" Dome (V/F 2.8 - 12.0mm)

Features:

- External or internal use day/night camera (IP65 rated).
- Vandal resistant metal casing.
- Horizontal resolution of over 650 TVL.
- High quality Sony EXview HAD II 1/3" colour CCD (ICX673AK).
- High quality Sony Effio-E DSP (CXD4127GG).
- High quality Sony Effio-E AFE (CXD4816GG).
- Manual varifocal 2.8 - 12.0mm lens.
- Supplied with a lens adjustment tool.
- Colour images during the day, B&W images at night.
- 36 x size 5 IR LED's (maximum 30M range illumination).
- Dual glass, hoop/ring design (prevents IR glare).
- 3 axis design (ceiling and wall mountable).
- Easy to install "screw on" base.
- 12vDC 450mA power consumption.
- Supplied with a 2.1mm power connector.
- 2 year warranty (subject to T&C's).



Camera Specifications

TS CAMD09

Image sensor	1/3" Sony EXview HAD CCD II
Horizontal resolution	over 650 TVL
Lens	2.8 - 12.0mm
Minimum illumination	0.5 lux (0 lux IR's on)
No. of IR LED's	36
IR coverage	Maximum of 30M
Pixels	Effective 976(H) x 582(V)
Video output	1.0v p-p / 75 Ohm
Voltage	12v DC (450mA)
White balance	Auto
S/N ratio	> 48dB
Sync system	Internal
Gamma	> 0.45
Electronic shutter	1/50 - 1/100,000 sec
Operating temperature	-10°C to 50°C