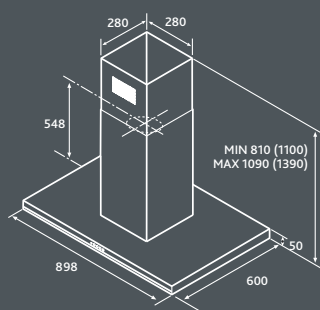


Cubica

16

ISLAND



Finish	Stainless steel with glass trim
Controls	3 speed soft push buttons
Lights	4 x 20w halogen lamp
Grease filter	Professional washable metal grease filter
Ducting connector	150mm (6in) diameter ducting connector
Available size	900mm x 600mm
Maximum airflow	750 m ³ /h
IEC airflow	630 m ³ /h
Noise level	46-64 dB(A)
Power consumption	260w
Charcoal Filter	Optimised aspiration system F00262/2S

	Description	Code
CUBICA	CUBICA IX/A/90x60	51613707