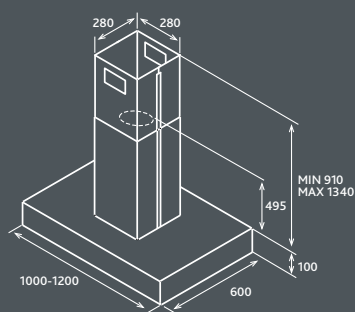


Free spot

18

ISLAND



Finish	Stainless steel
Controls	3 speed push buttons
Lights	4 x 20w halogen lamp
Grease filter	Metal washable grease filter
Ducting connector	150mm (6in) diameter ducting connector
Available size	1000mm x 600mm or 1200mm x 600mm
Maximum airflow	750 m ³ /h
IEC airflow	630 m ³ /h
Noise level	46-64 dB(A)
Power consumption	260w
Charcoal Filter	F00262/2S

	Description	Code
FREE SPOT 100	FREE SPOT IX/A/100x60	57312966
FREE SPOT 120	FREE SPOT IX/A/120x60	57312967