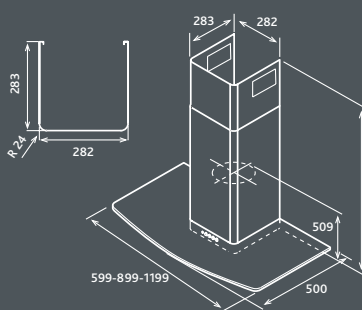


Glacier

CHIMNEY / DECORATIVE



Finish	Stainless steel and glass
Controls	3 speed soft push buttons
Lights	2 x 20w halogen lamps
Grease filter	Professional washable metal grease filter
Ducting connector	150mm (6in) diameter ducting connector
Available widths	600, 700, 800, 900 1000, 1100 or 1200mm
Maximum airflow	750 m ³ /h
IEC airflow	630 m ³ /h
Noise level	46-64 dB(A)
Power consumption	220w
	Smart installation system
	Optimised aspiration system
	Also available with 1200 m ³ /h external motor
Charcoal Filter	F00262/2S

	Description	Code
GLACIER 60	GLACIER IX/A/60	4849366/2*
GLACIER 70	GLACIER IX/A/70	48411757/2*
GLACIER 80	GLACIER IX/A/80	48411756/2*
GLACIER 90	GLACIER IX/A/90	4849367/2*
GLACIER 100	GLACIER IX/A/100	48412575/2*
GLACIER 110	GLACIER IX/A/110	48412982/2*
GLACIER 120	GLACIER IX/A/120	4849368/2*

* external motor versions available