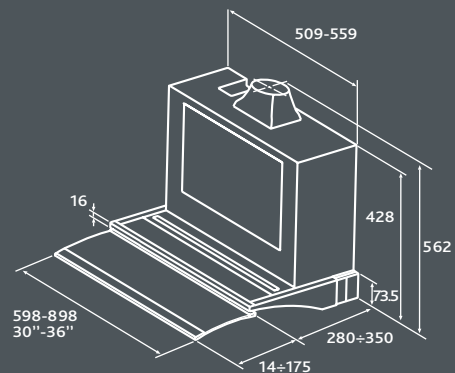


Glide

50

CLASSIC / CANOPY / INTEGRATED



Finish	Stainless steel
Controls	3 speed illuminated soft push buttons
Lights	2 x 20w halogen lamps
Grease filter	Metal washable grease filter
Ducting connector	150mm (6in) diameter ducting connector
Available widths	600mm or 900mm
Maximum airflow	800 m ³ /h
IEC airflow	650 m ³ /h
Noise level	43-61 dB(A)
Power consumption	260w
Charcoal Filter	F00171/1S

	Description	Code
GLIDE 60	GLIDE SOFT IX/A/60	52614597
GLIDE 90	GLIDE SOFT IX/A/90	52614598