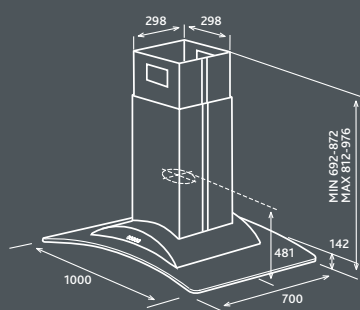


Iceberg

ISLAND

17



Finish	Stainless steel and curved glass
Controls	3 speed push buttons
Lights	4 x 20w halogen lamp
Grease filter	Metal washable grease filter
Ducting connector	150mm (6in) diameter ducting connector
Available size	1000mm x 700mm
Maximum airflow	750 m ³ /h
IEC airflow	630 m ³ /h
Noise level	46-64 dB(A)
Power consumption	280w
	Available in 2 height adjustable models, SF: 692-872mm, STD: 812-976mm
	Replacement extension kit (KIT00424) also available making hood 1600mm high
Charcoal Filter	F00187/1S

Description	Code
ICEBERG 100	3816536/1
ICEBERG 100 SF	38111800/1
CHIMNEY KIT	KIT00424