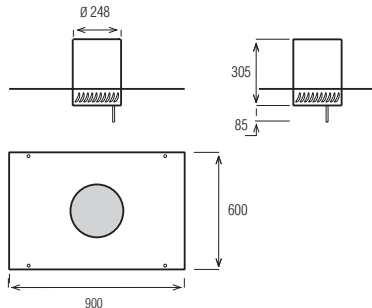


Isolabella



Finish	Stainless steel and glass
Controls	3 speed illuminated 'Magic Wand' touch sensor + boost
Lights	1 x 40w halogen lamp
Grease filter	Metal washable grease filters & long-life odour filters included
Available widths	900 mm
Maximum airflow	500 m ³ /h
Maximum airflow	280 m ³ /h (recycling)
IEC airflow	400 m ³ /h
Noise level	43-62 dB(A)
Power consumption	140w

Ceiling mounted 'Evolution' system

Charcoal Filter	F00433								
	<table border="1"> <thead> <tr> <th>Description</th> <th>Code</th> </tr> </thead> <tbody> <tr> <td>Isolabella</td> <td>ISOLABELLA IX/F 90</td> </tr> <tr> <td>Kit Remote Control</td> <td>KIT REMOTE CONTROL</td> </tr> <tr> <td>Ducting Kit Evolution</td> <td>DUCTING KIT EVOLUTION</td> </tr> </tbody> </table>	Description	Code	Isolabella	ISOLABELLA IX/F 90	Kit Remote Control	KIT REMOTE CONTROL	Ducting Kit Evolution	DUCTING KIT EVOLUTION
Description	Code								
Isolabella	ISOLABELLA IX/F 90								
Kit Remote Control	KIT REMOTE CONTROL								
Ducting Kit Evolution	DUCTING KIT EVOLUTION								
	65414591/1								
	KIT02183								
	KIT01611								