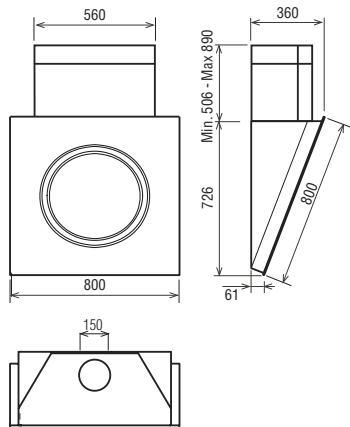


# Om Special Edition



<b>Finish</b>	Glass with polished stainless steel chimney kit
<b>Controls</b>	3 speed electronic touch screen controls + boost
<b>Lights</b>	4 x20w halogen lamps
<b>Grease filter</b>	Metal washable grease filter
<b>Ducting connector</b>	150 mm (6in) diameter ducting connector
<b>Available widths</b>	800 mm
<b>Maximum airflow</b>	850 m <sup>3</sup> /h
<b>IEC airflow</b>	660 m <sup>3</sup> /h
<b>Noise level</b>	41-57 dB(A)
<b>Power consumption</b>	330w
	Includes sound absorbing kit Perimeter aspiration Automatic opening lighting system

**Charcoal Filter** F00264/1S

	Description	Code
<b>Om Special Edition Black</b>	OM SPECIAL EDITION TC BL/F/80	61616219
<b>Om Special Edition White</b>	OM SPECIAL EDITION TC WH/F/80	61616318

**Kit Remote Control** KIT REMOTE CONTROL KIT02183

**Chimney Kit Om** CHIMNEY KIT OM KIT01054