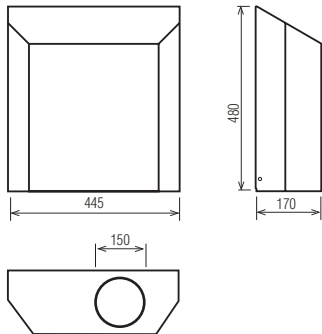


# Remote Motor



<b>Finish</b>	Stainless steel
<b>Maximum airflow</b>	1200 m <sup>3</sup> /h
<b>IEC airflow</b>	850 m <sup>3</sup> /h
<b>Pressure</b>	575 Pa
<b>Noise level at speed 3</b>	50 dB(A)
<b>Noise level at 300 m<sup>3</sup>/h</b>	38 dB(A)
<b>Absorption</b>	180 watt