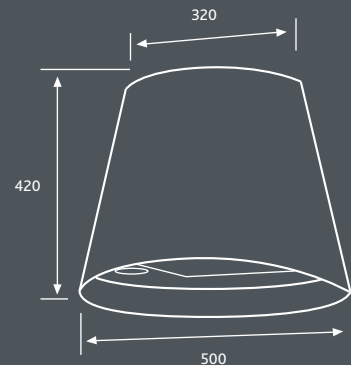


# Sophie

ISLAND



<b>Finish</b>	Pearl, Green
<b>Controls</b>	3 speed illuminated soft push buttons
<b>Lights</b>	2x20w halogen lamps
<b>Grease filter</b>	Metal washable grease filters
<b>Ducting connector</b>	125mm (5") diameter ducting connector
<b>Available widths</b>	500x500 mm
<b>Maximum airflow</b>	500 m <sup>3</sup> /h
<b>IEC airflow</b>	460 m <sup>3</sup> /h
<b>Noise level</b>	46-64 dB(A)
<b>Power consumption</b>	210 w
<b>Charcoal Filter</b>	F00264/1S

**SOPHIE PEARL**  
**SOPHIE GREEN**

**Description**

Sophie Pearl F/50  
Sophie Green F/50

**Code**

71716354  
71716355