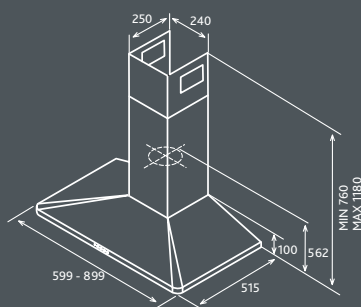


Tuscan

42

CHIMNEY / DECORATIVE



Finish	Stainless steel
Controls	3 speed soft push buttons
Lights	2 x 20w halogen lamps
Grease filter	Professional washable metal grease filter
Ducting connector	150mm (6in) diameter ducting connector
Available size	600mm or 900mm
Maximum airflow	750m ³ /h
IEC airflow	630m ³ /h
Noise level	46-64 dB(A)
Power consumption	220w
	Smart installation system
	Optimised aspiration system
Charcoal Filter	F00262/2S

	Description	Code
TUSCAN 60	TUSCAN IX/A/60	4769809/1
TUSCAN 90	TUSCAN IX/A/90	4769810/1